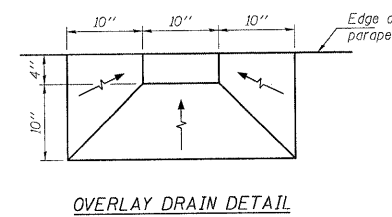
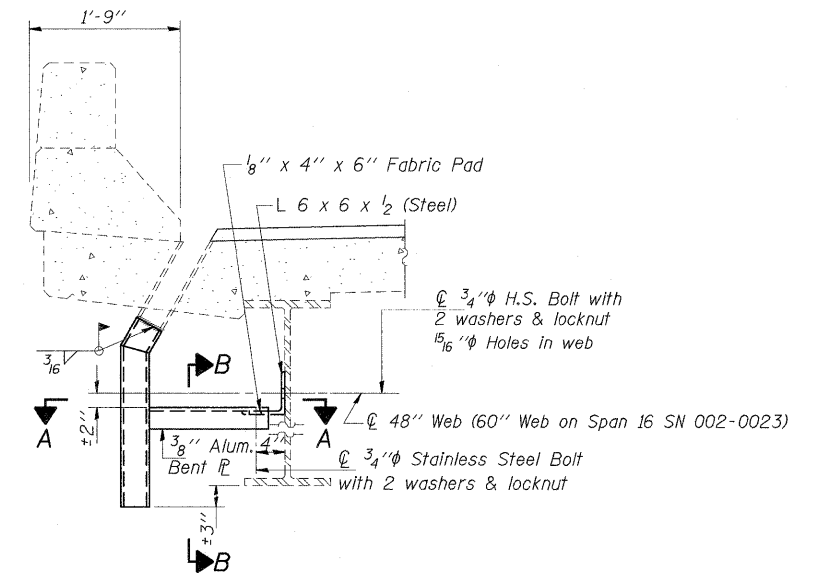


**DRAIN ELIMINATION DETAIL**

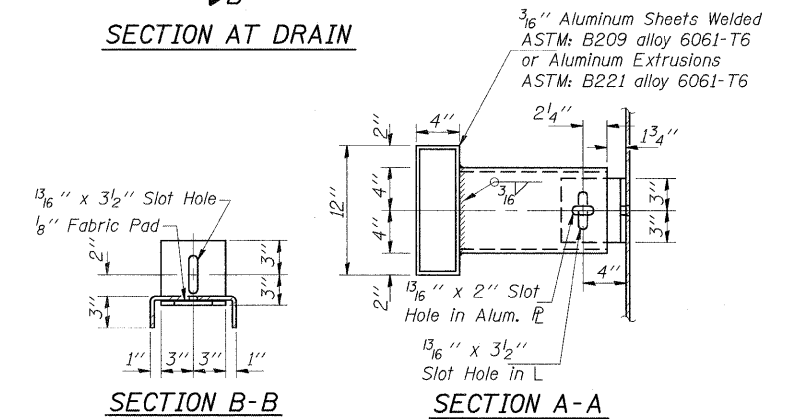
(76 Locations on SN 002-0023)  
(76 Locations on SN 002-0024)



**OVERLAY DRAIN DETAIL**

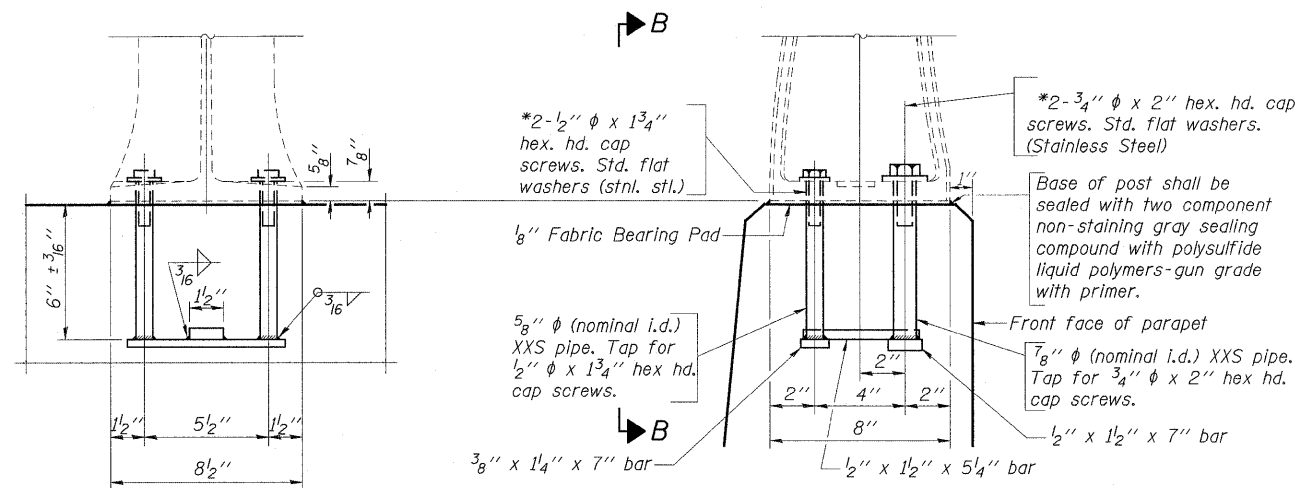


**SECTION AT DRAIN**



**DRAIN EXTENSION DETAIL**

(369 locations for 48" Web on SN 002-0023)  
(14 locations for 60" Web on SN 002-0023)  
(375 locations for 48" Web on SN 002-0024)



**VIEW B-B**

**RAIL POST DETAILS**

16 Locations

**Notes:**

Plug all existing floor drains that are within ±10' of the existing substructure. Locations shall be subject to approved by the Engineer.

Post shall be normal to parapet.

\*In lieu of the cast-in-place anchor device shown, the Contractor has the option of drilling and setting stainless steel anchor rods of the same diameter and grade as the specified cap screws according to Article 509.06 of the Standard Specifications. Embedment shall be according to the manufacturer's specifications.

Removal and and re-erection of the existing aluminum handrail, rail post, and all new applicable hardware, including labor and installation shall be included in the cost of Concrete Removal.

**DRAINS AND RAILING  
DETAILS  
ALEXANDER COUNTY  
SN 002-0023 & 002-0024**

FILE NAME =	USER NAME = halsteadtw	DESIGNED -	REVISED -	<b>STATE OF ILLINOIS DEPARTMENT OF TRANSPORTATION</b>	<b>DRAINS AND RAILING DETAILS</b>	F.A.I RTE.	SECTION	COUNTY	TOTAL SHEETS	SHEET NO.	
c:\pwwork\pwwid\DOT\HALSTEADTW\d0113592\002-0023.dgn		DRAWN -	REVISED -			57	D9 BSMART FY09-2	ALEXANDER	45	23	
PLOT SCALE = 1:5000 ' / IN.		CHECKED -	REVISED -			CONTRACT NO. 78111					
PLOT DATE = 4/3/2009		DATE -	REVISED -			SCALE:	SHEET NO.	OF	SHEETS	STA.	TO STA.