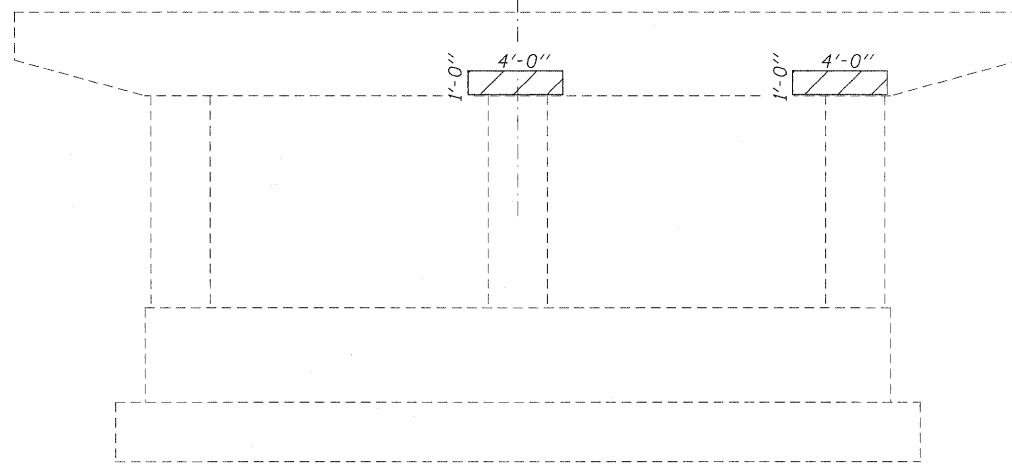
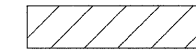


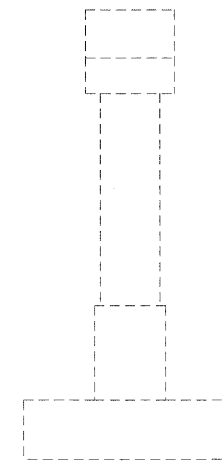
℄ Rdwy.
Southbound Lanes



PIER 11
Looking North

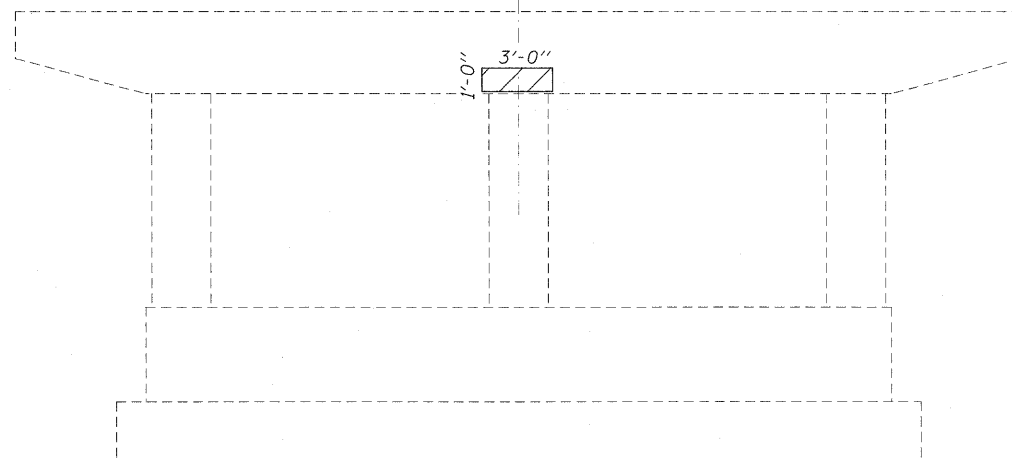


Structural Repair of Concrete ≤ 5"

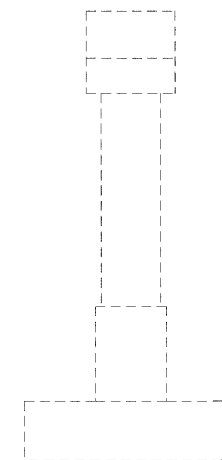


PIER 11
Looking East

℄ Rdwy.
Southbound Lanes



PIER 11
Looking South



PIER 11
Looking West

SUBSTRUCTURE REPAIRS
PIER 11
ALEXANDER COUNTY
SN 002-0024

FILE NAME =	USER NAME = halsteadtw	DESIGNED -	REVISED -	STATE OF ILLINOIS DEPARTMENT OF TRANSPORTATION	SUBSTRUCTURE REPAIRS SN 002-0024	F.A.I RTE.	SECTION	COUNTY	TOTAL SHEETS	SHEET NO.	
c:\pw\work\PWIDOT\HALSTEADTW\d0113592\002-0023.dgn		DRAWN -	REVISED -			57	D9 BSMART FY09-2	ALEXANDER	45	35	
PLOT SCALE = 4.0000 1/ IN.		CHECKED -	REVISED -			CONTRACT NO. 78111					
PLOT DATE = 4/3/2009		DATE -	REVISED -			SCALE:	SHEET NO.	OF	SHEETS	STA.	TO STA.