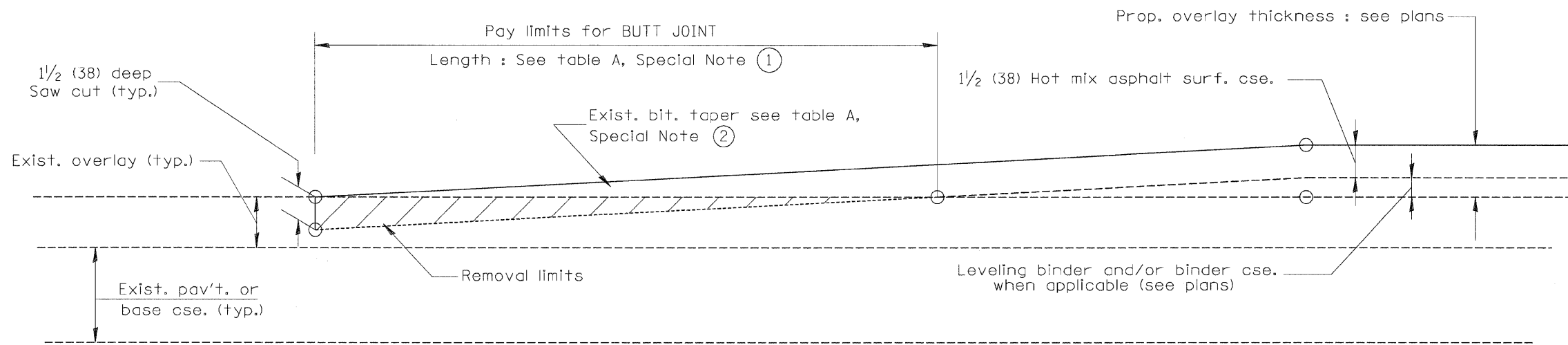
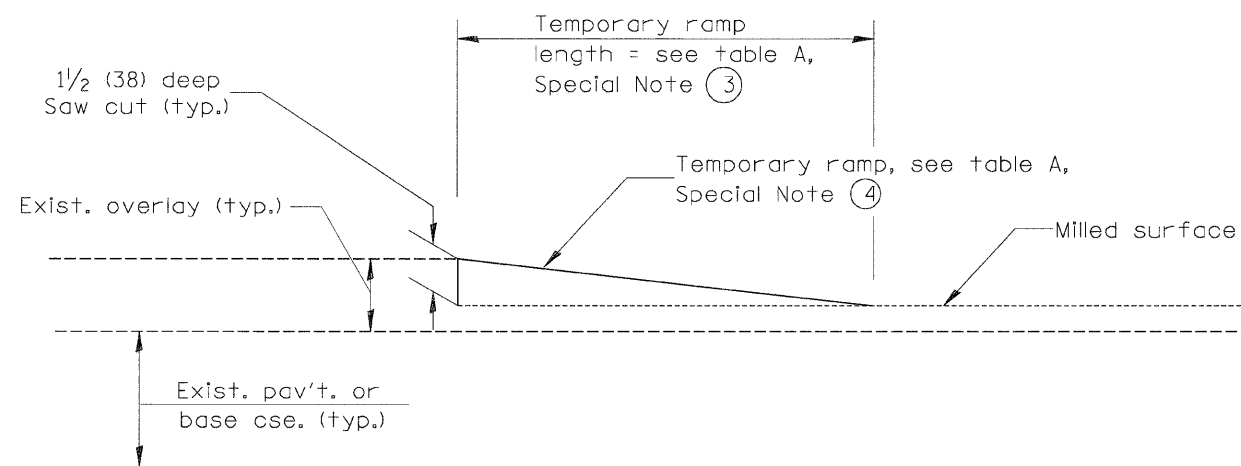


**CASE 3 : WITH HOT MIX ASPHALT SURFACE REMOVAL (COLD MILLING)
TIE-IN TO EXISTING BITUMINOUS TAPER**



**CASE 4 : NO HOT MIX ASPHALT SURFACE REMOVAL (COLD MILLING)
TIE-IN TO EXISTING BITUMINOUS TAPER**



DETAIL TEMPORARY RAMP

All dimensions are in inches (millimeters) unless otherwise noted.

				STATE OF ILLINOIS DEPARTMENT OF TRANSPORTATION		BUTT JOINTS		SHT. 2 OF 2 CADD STD. 406101-D4		<table border="1"> <tr> <td>F.A. RTE.</td> <td>SECTION</td> <td>COUNTY</td> <td>TOTAL SHEETS</td> <td>SHEET NO.</td> </tr> <tr> <td>74</td> <td>(48-26HB-4)I</td> <td>KNOX</td> <td>54</td> <td>23</td> </tr> <tr> <td colspan="3">FED. ROAD DIST. NO.</td> <td colspan="2">ILLINOIS FED. AID PROJECT</td> </tr> </table>		F.A. RTE.	SECTION	COUNTY	TOTAL SHEETS	SHEET NO.	74	(48-26HB-4)I	KNOX	54	23	FED. ROAD DIST. NO.			ILLINOIS FED. AID PROJECT	
F.A. RTE.	SECTION	COUNTY	TOTAL SHEETS	SHEET NO.																						
74	(48-26HB-4)I	KNOX	54	23																						
FED. ROAD DIST. NO.			ILLINOIS FED. AID PROJECT																							
NOT TO SCALE						CONTRACT NO. 88919																				