

BL062

REVISIONS		
NUMBER	BY	DATE

0 1 2
 THIS BAR IS EQUAL TO 2"
 AT FULL SCALE (34x22).

BLOOMINGTON-NORMAL AIRPORT AUTHORITY
 CENTRAL ILLINOIS REGIONAL AIRPORT
 BLOOMINGTON, ILLINOIS

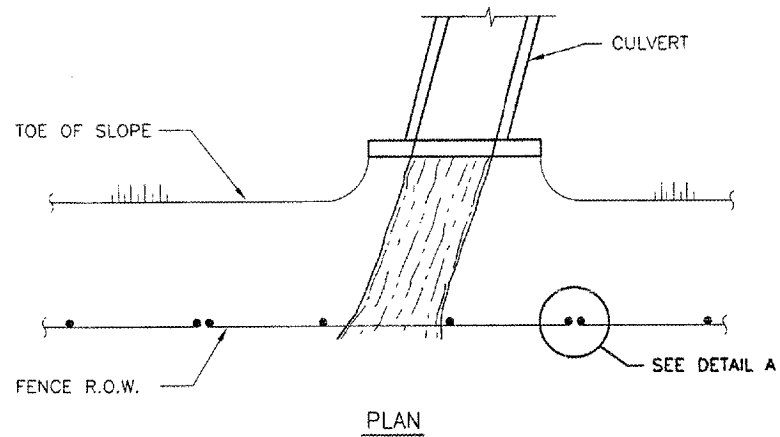
UPGRADE PERIMETER FENCE PHASE 2
 FENCING DETAILS 2

© Copyright CMT, Inc.
CMT
 CRAWFORD, MURPHY & TILLY, INC.
 CONSULTING ENGINEERS
 License No. 184-00083

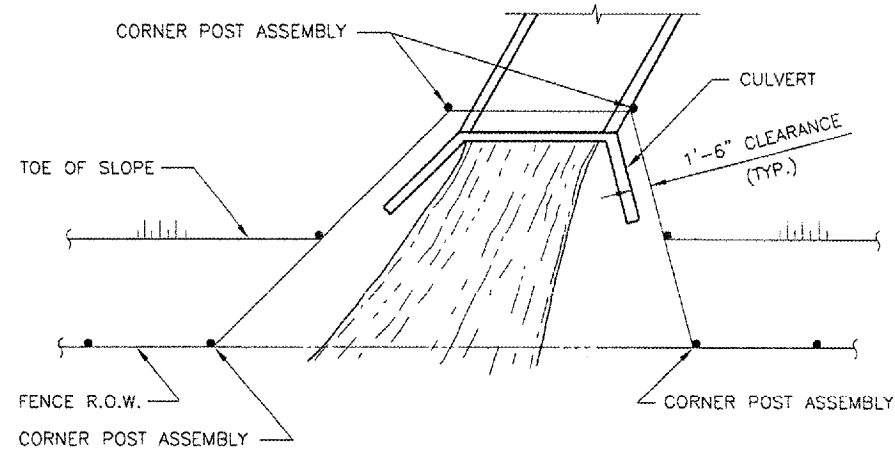


DESIGN BY: CBG
 DRAWN BY: CMT
 CHECKED BY: *CBG*
 APPROVED BY: *REN*
 DATE: MAY 9, 2008
 JOB No: 0708506

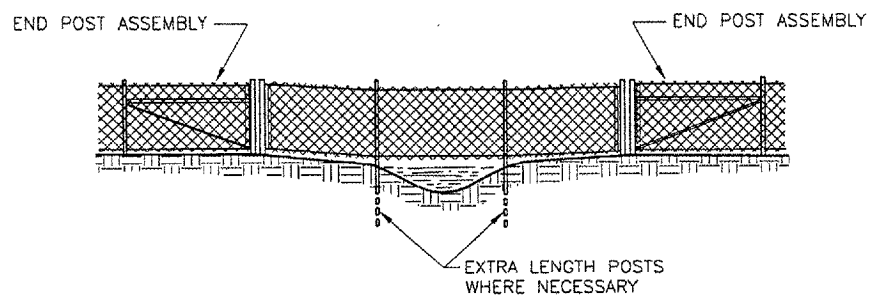
BMI-3599
 3-17-0006-XX



PLAN

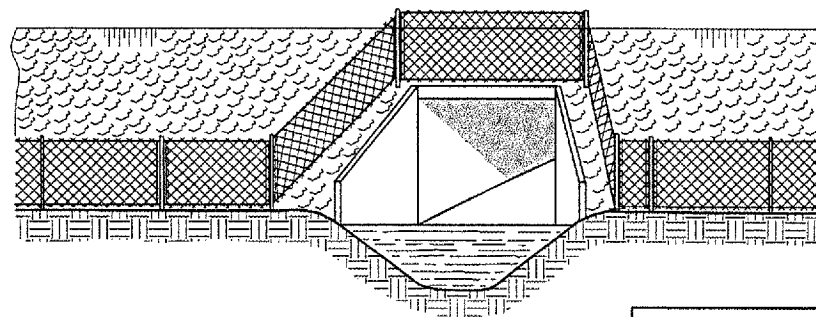


PLAN



THE CHAIN LINK FABRIC SHALL BE REPLACED BY BARBED WIRE STRANDS AT 12" MAXIMUM CENTERS BETWEEN THE DOUBLE POSTS SHOWN ON DETAIL A WHEN SHOWN ON THE PLANS.

ELEVATION

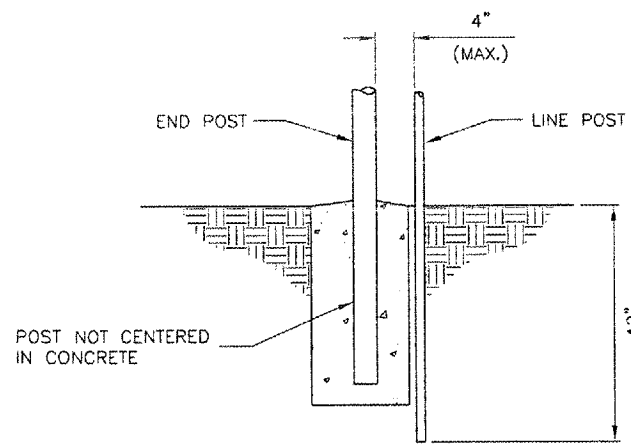


ELEVATION

WHEN THE WIDTH OF THE CULVERT MAKES IT NECESSARY TO ANCHOR A POST TO THE TOP OF THE CULVERT, A CAST IRON SHOE OR OTHER DEVICE APPROVED BY THE ENGINEER SHALL BE USED.

FENCE INSTALLATION AROUND HEADWALL DETAILS

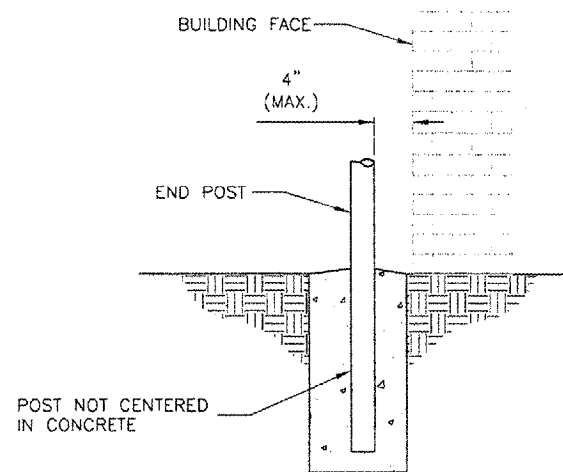
N.T.S.



DETAIL A

FENCE INSTALLATION OVER STREAM DETAILS

N.T.S.



FENCE INSTALLATION AT BUILDING FACE

N.T.S.