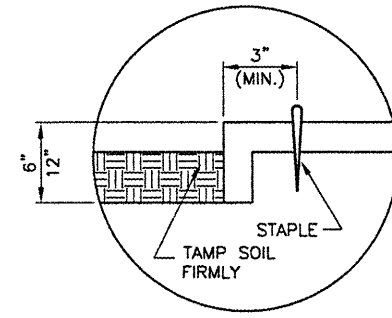
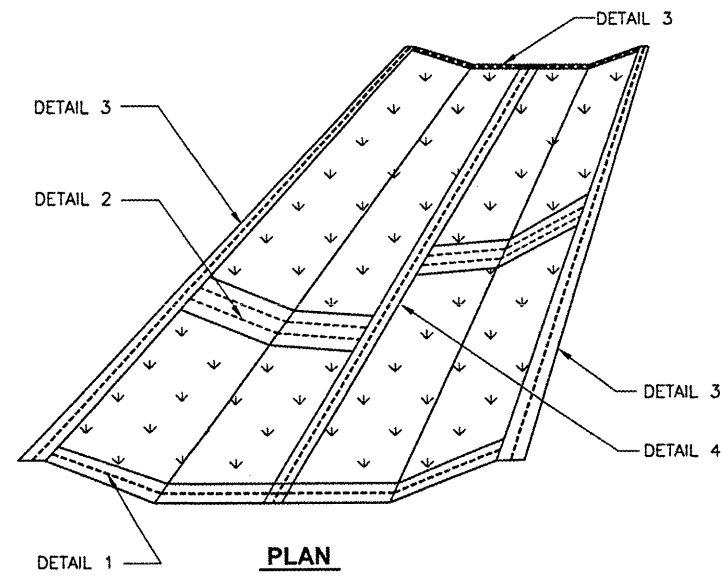
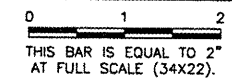
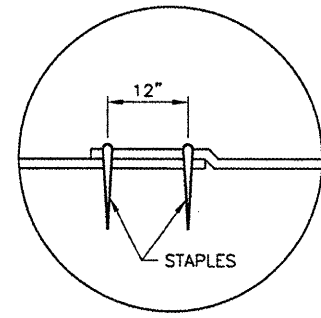


CA006

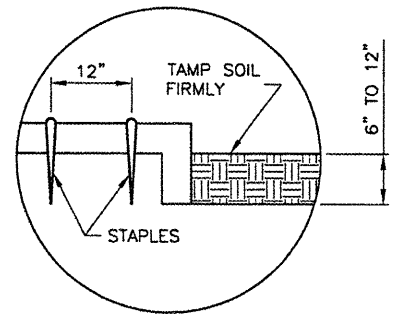
REVISIONS		
NUMBER	BY	DATE



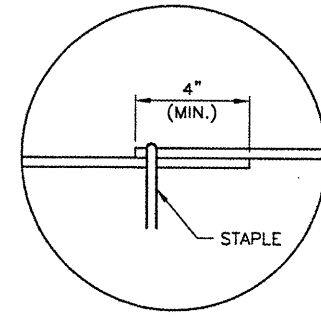
DETAIL 1 - TERMINAL FOLD



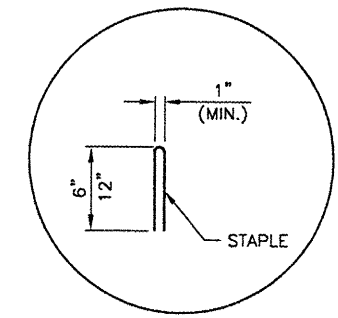
DETAIL 2 - JUNCTION SLOT



DETAIL 3 - ANCHOR SLOT



DETAIL 4 - LAP JOINT

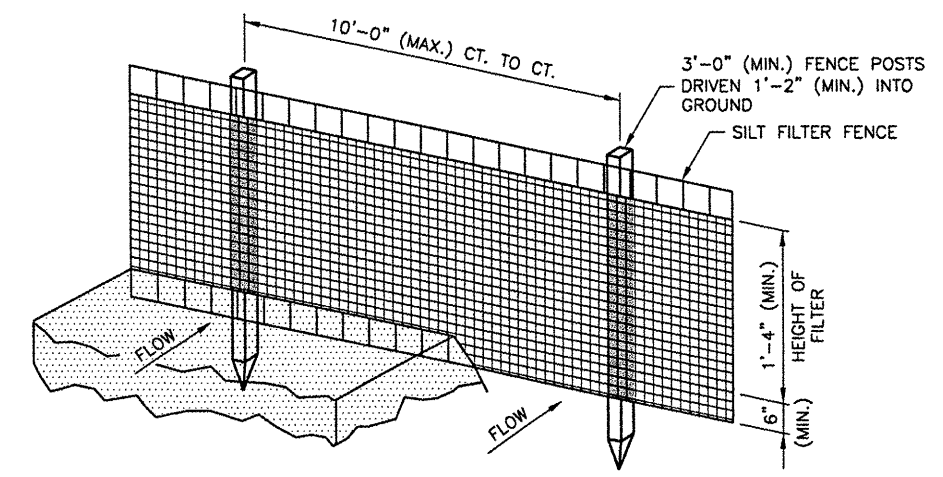


DETAIL 5 - STAPLE DETAIL

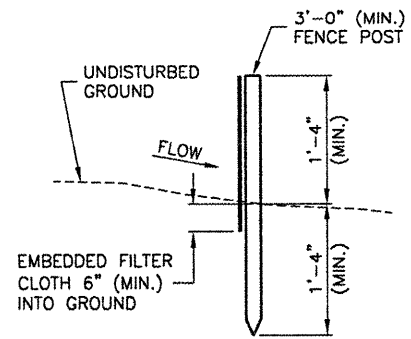
EXCELSIOR BLANKET DETAILS
N.T.S.

EXCELSIOR BLANKET NOTES

1. STAPLES TO BE PLACED ALTERNATELY, IN COLUMNS APPROXIMATELY 2' APART AND IN ROWS APPROXIMATELY 3' APART.
2. EROSION CONTROL MATERIAL SHALL BE PLACED LOOSELY OVER GROUND SURFACE. DO NOT STRETCH.
3. ALL TERMINALS ENDS AND TRANSVERSE LAPS SHALL BE STAPLED AT APPROXIMATELY 12" INTERVALS.



PERSPECTIVE VIEW

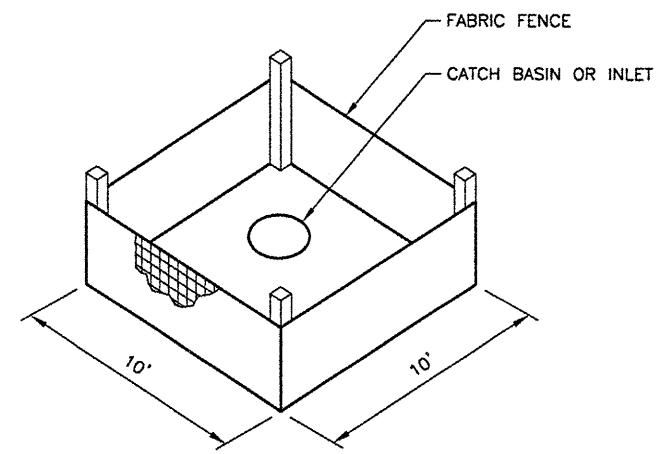


SECTION

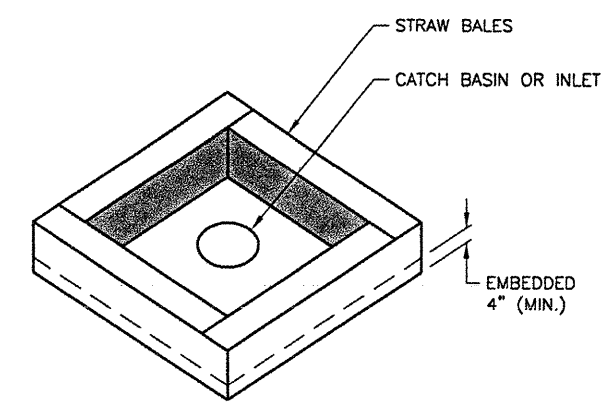
EROSION CONTROL FABRIC FENCE DETAILS
N.T.S.

EROSION CONTROL FABRIC FENCE NOTES

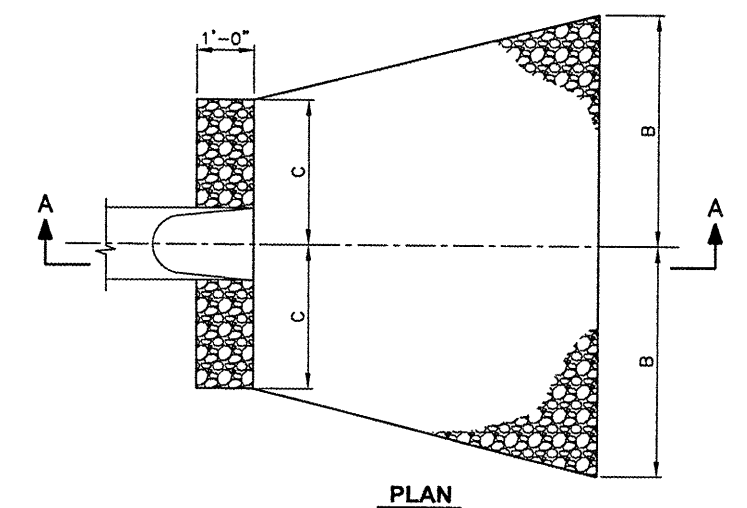
1. WOVEN WIRE FENCE TO BE FASTENED SECURELY TO FENCE POSTS WITH WIRE TIES OR STAPLES.
2. FILTER CLOTH TO BE FASTENED SECURELY TO WOVEN WIRE FENCE WITH TIES SPACED EVERY 2'-0" AT TOP AND MID SECTION.
3. WHEN TWO SECTIONS OF FILTER CLOTH ADJOIN EACH OTHER THEY SHALL BE OVERLAPPED BY 6" MINIMUM AND FOLDED.
4. MAINTENANCE SHALL BE PERFORMED AS NEEDED AND MATERIAL REMOVED WHEN "BULGES" DEVELOP IN THE SILT FENCE. MAINTENANCE, WHICH INCLUDES THE REPLACEMENT OF DAMAGED FENCE SHALL BE CONSIDERED INCIDENTAL TO THE COST OF THE EROSION CONTROL FENCE.



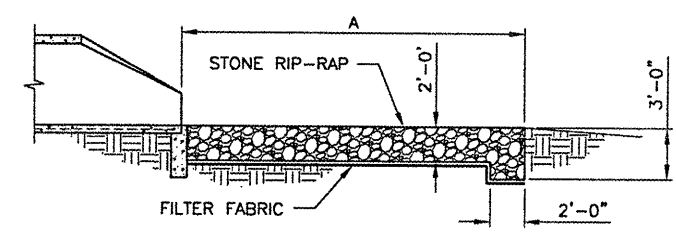
INLET PROTECTION WITH FABRIC
N.T.S.



INLET PROTECTION WITH STRAW BALES
N.T.S.



PLAN



SECTION A-A

RIP-RAP DETAILS
N.T.S.

RIP-RAP NOTES

1. THE ENGINEER SHALL DETERMINE THE FINAL RIP-RAP CONFIGURATION IN THE FIELD.
2. PLACE AT EXISTING PIPE LOCATIONS AS DIRECTED BY THE ENGINEER.

DIMENSIONS - TABLE 1

INSIDE DIAMETER STORM SEWER (IN.)	OUTLET DIMENSION (FT.)			INLET DIMENSION (FT.)		
	A	B	C	A	B	C
12" THRU 24"	15	9	2	9	6	2



SPRINGFIELD AIRPORT AUTHORITY
 ABRAHAM LINCOLN CAPITAL AIRPORT
 SPRINGFIELD, IL

TXV G WIDENING-PHASE 1 REALIGN NORTH PERIMETER ROAD
 EROSION CONTROL DETAILS

© Copyright CMT, Inc.
 CMT
 CRAWFORD, MURPHY & TILLY, INC.
 CONSULTING ENGINEERS
 License No. 184-000613



DESIGN BY: CBG
 DRAWN BY: DPA/JLR
 CHECKED BY: *CBG*
 APPROVED BY: *RW*
 DATE: APRIL 25, 2008
 JOB No: 07035-09-00
 IL PROJ. NO. SPI-3789
 AIP PROJ. NO. 3-17-0096-XX
 SHEET 17 OF 22 SHEETS