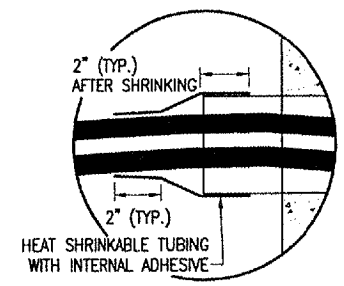
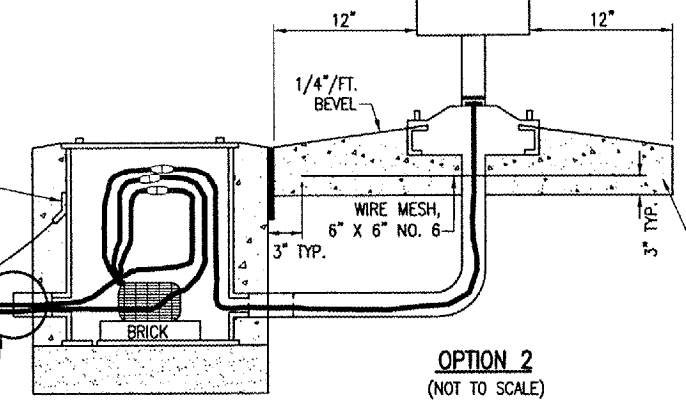


THE LOCATION OF UNDERGROUND UTILITIES AS INDICATED ON THE PLANS HAS BEEN OBTAINED FROM EXISTING RECORDS. NEITHER THE OWNER NOR THE ENGINEER ASSUMES ANY RESPONSIBILITY WHATSOEVER, IN RESPECT TO THE ACCURACY OR SUFFICIENCY OF THE INFORMATION AND THERE IS NO GUARANTEE, EITHER EXPRESSED OR IMPLIED, THAT THE CONDITIONS ARE REPRESENTATIVE OF THOSE TO BE ENCOUNTERED IN THE CONSTRUCTION.

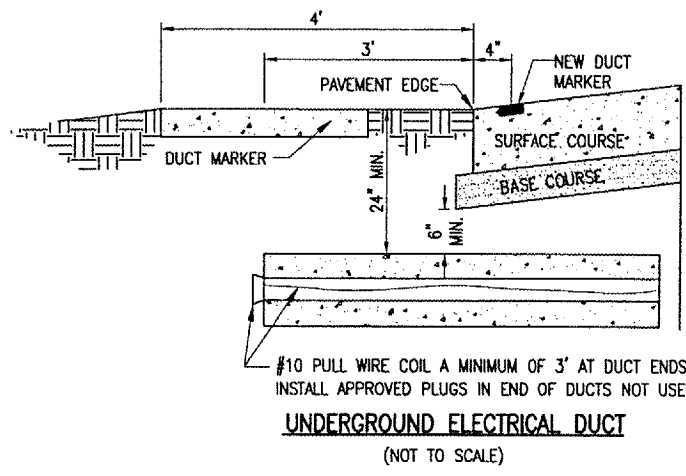
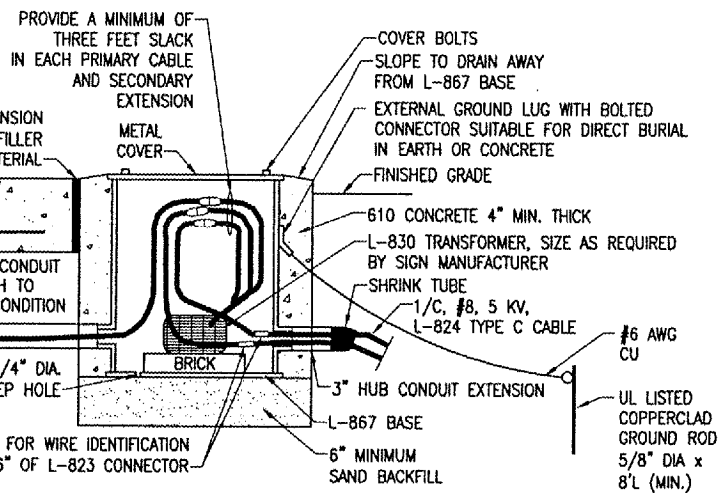
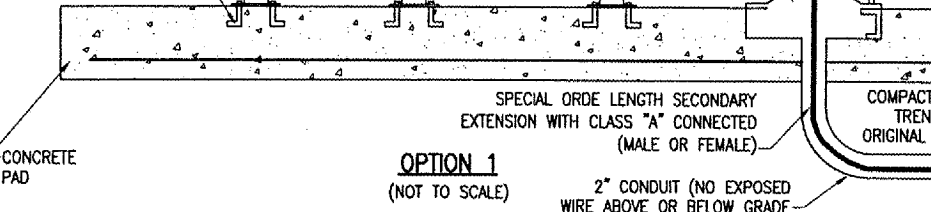
**L-858 SIGN**  
NOTES:  
SEE LIGHTING LAYOUT SHEET(S) FOR SIGN LEGEND, LOCATION, TYPE, SIZE, STYLE, AND CLASS.  
NUMBER AND SPACING OF LEGS AS PER MANUFACTURER'S REQUIREMENTS.



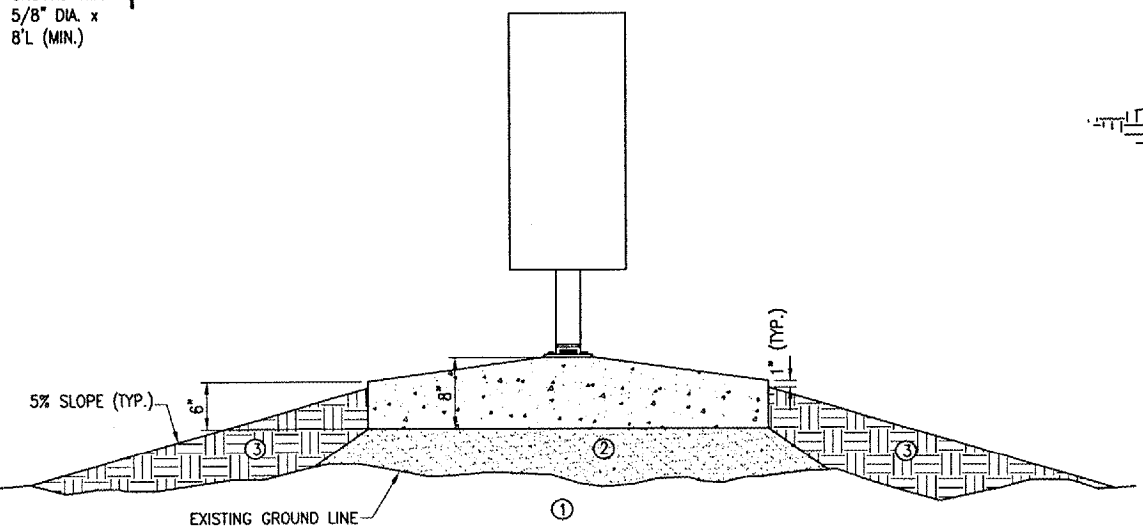
**DETAIL "B"**  
(NOT TO SCALE)  
EXTERNAL GROUND LUG WITH BOLTED CONNECTOR SUITABLE FOR DIRECT BURIAL IN EARTH OR CONCRETE  
#6 AWG CU  
UL LISTED COPPERCLAD GROUND ROD 5/8" DIA. x 8'L (MIN.)  
SEE DETAIL "B" ON THIS SHEET



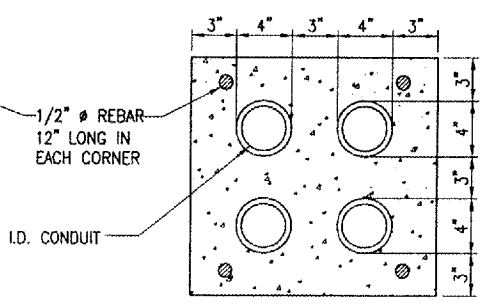
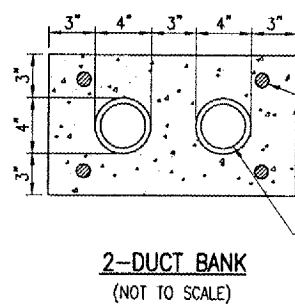
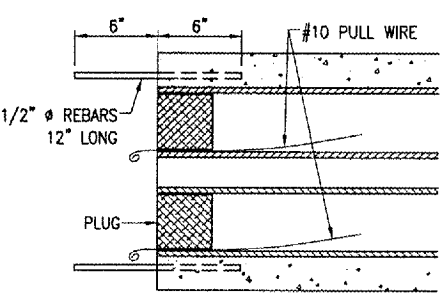
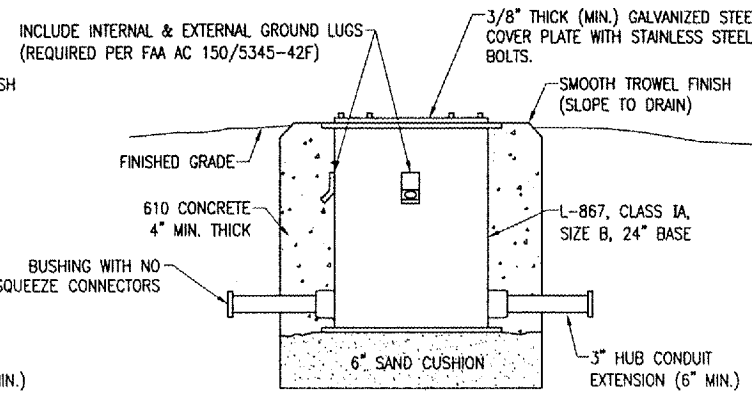
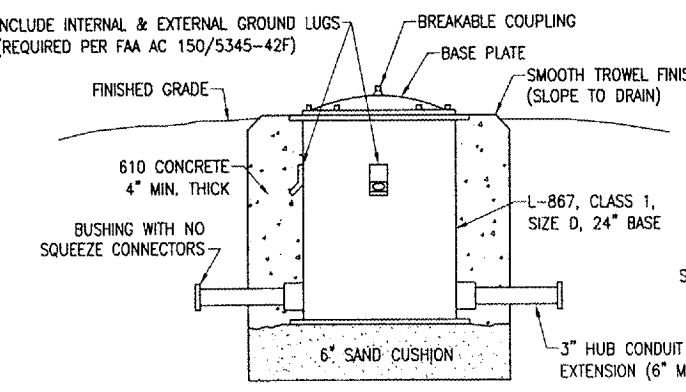
STAINLESS STEEL HOOK TYPE BOLTS EMBEDDED MINIMUM OF 6" IN CONCRETE AND STAINLESS STEEL NUTS (TYP.)



**GENERAL NOTES**  
SEE LIGHTING LAYOUT SHEET FOR SIGN LEGEND, LOCATION, TYPE, SIZE, STYLE, AND CLASS.  
SEE SHEETS 38 THROUGH 39 FOR ELECTRICAL NOTES.



- 1 EXISTING SOD TO BE STRIPPED AND REMOVED
- 2 SAND BACKFILL, VARIABLE DEPTH
- 3 PROPOSED TOPSOIL BACKFILL MATERIAL



REVISION

DATE	REVISION

EFFINGHAM COUNTY  
MEMORIAL AIRPORT  
EFFINGHAM, ILLINOIS  
A.I.P. PROJ.: 3-17-0040-B11  
IL PROJ.: 1H2-3761

Project No. 07A0143D\_0800  
Filename R-541ELE.DWG  
Scale NOT TO SCALE  
Date 02/12/08

LAYOUT	KOM	01/16/08
DRAWN	BAK	01/16/08
REVIEWED	CAH	02/12/08



WIDEN RUNWAY 11/29  
AND REPLACE MRL'S  
PROPOSED  
ELECTRICAL  
DETAILS SHEET 1

APR 09, 2008 6:42 PM HAGL000382  
I:\AIRPORTS\EFFINGHAM\07A0143\CAD\SHEETS\R-541ELE.DWG - Layout1