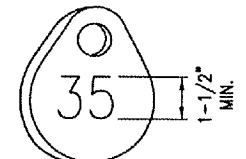
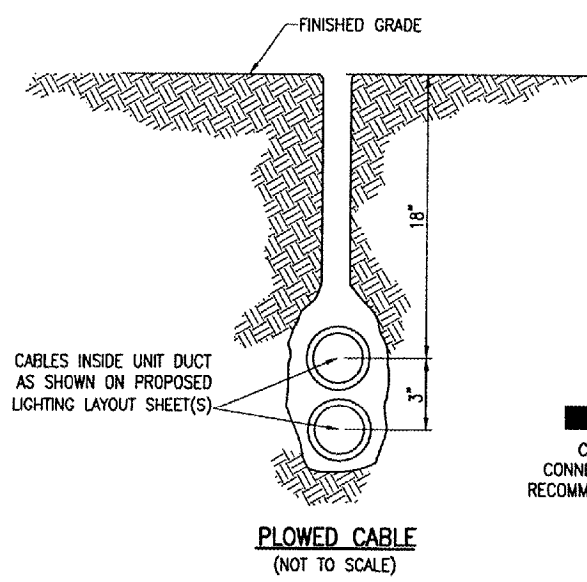
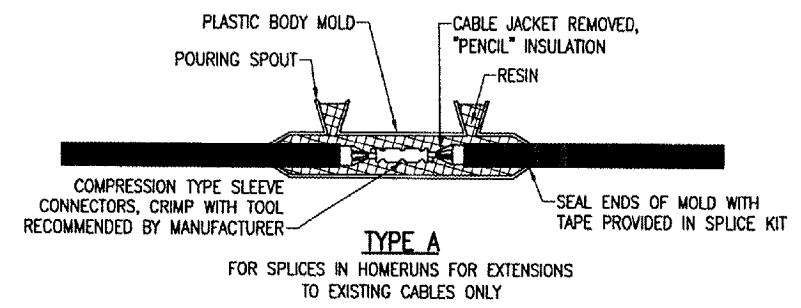


NOTES:
 DETAIL NUMBERS INDICATE NO. OF CABLES.
 TRENCHES WITH MORE THAN SEVEN CABLES SHALL BE INCREASED 3" IN WIDTH FOR EACH ADDITIONAL CABLE; IF SPECIFIED ON PLANS TWO PARALLEL TRENCHES MAY BE CONSTRUCTED.
 DEPTH OF TRENCHES SHALL BE AS SHOWN ABOVE UNLESS OTHERWISE SPECIFIED ON THE PLANS.
 ALL DISTURBED SURFACES SHALL BE RESTORED TO THEIR ORIGINAL CONDITION. COST IS INCIDENTAL TO TRENCH.



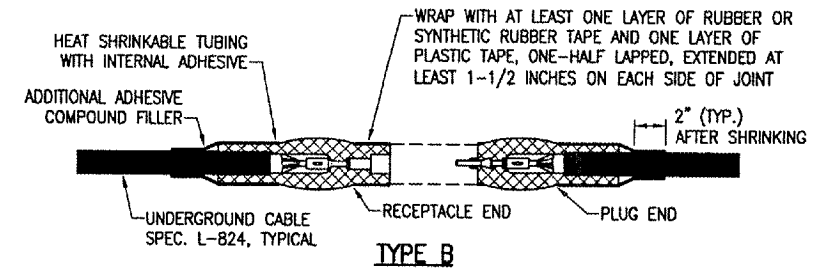
TAG DETAIL
(NOT TO SCALE)

NOTE:
 AFFIX NON-CORROSIVE TAG TO FIXTURE FACING RUNWAY WITH SET SCREW, WIRE TIE, OR METAL BAND. NUMERALS SHALL BE ENGRAVED FOR PERMANENT READABILITY.



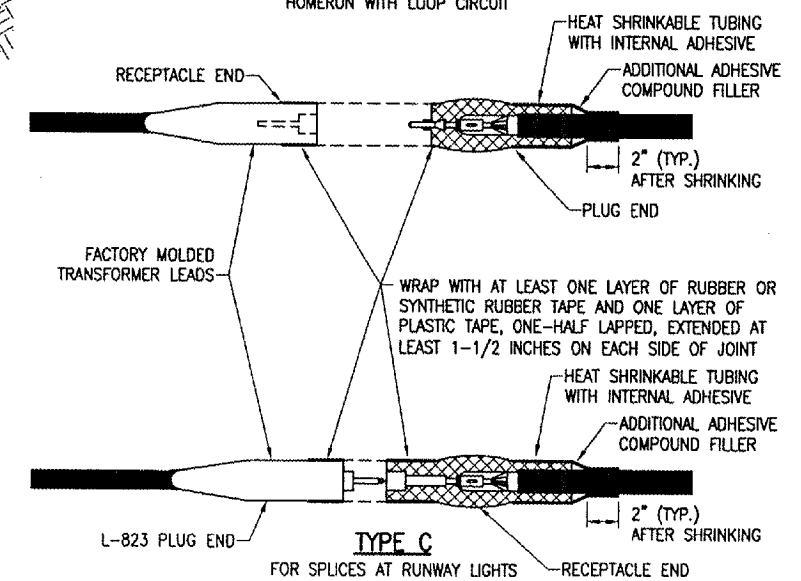
TYPE A

FOR SPLICES IN HOMERUNS FOR EXTENSIONS TO EXISTING CABLES ONLY



TYPE B

FOR SPLICES AT JUNCTION OF HOMERUN WITH LOOP CIRCUIT

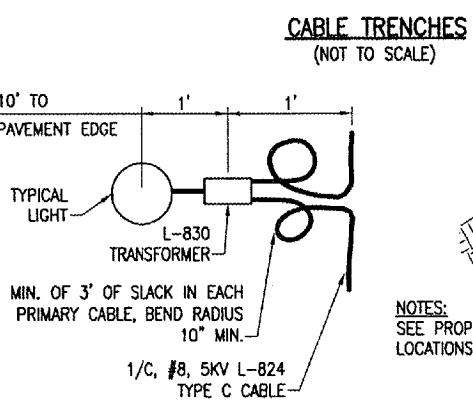
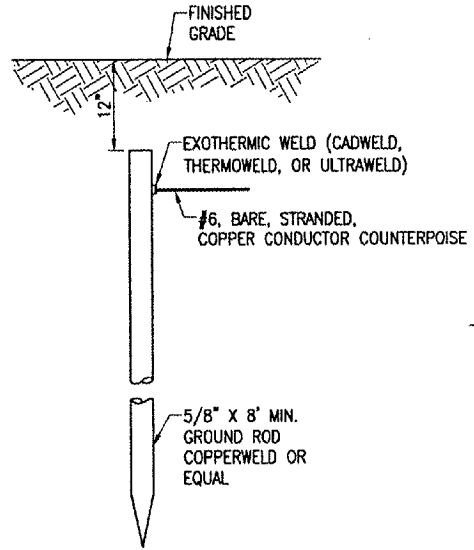


TYPE C

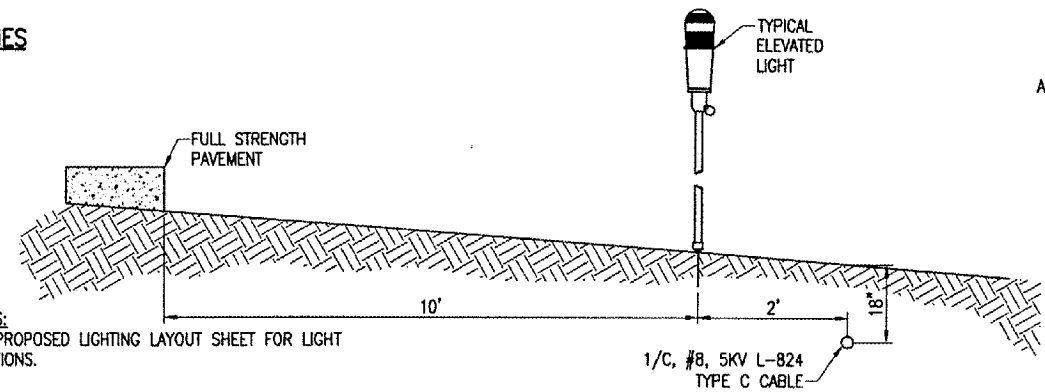
FOR SPLICES AT RUNWAY LIGHTS

NOTES:
 SEE PROPOSED LIGHTING LAYOUT SHEET(S) FOR SPLICE TYPE.
 INSIDE DIAMETER OF CONNECTOR SHALL PROPERLY MATCH THE OUTSIDE DIAMETER OF CABLE.

CABLE SPLICES
(NOT TO SCALE)



PLAN VIEW



LIGHT AND CABLE INSTALLATION DETAIL
(NOT TO SCALE)

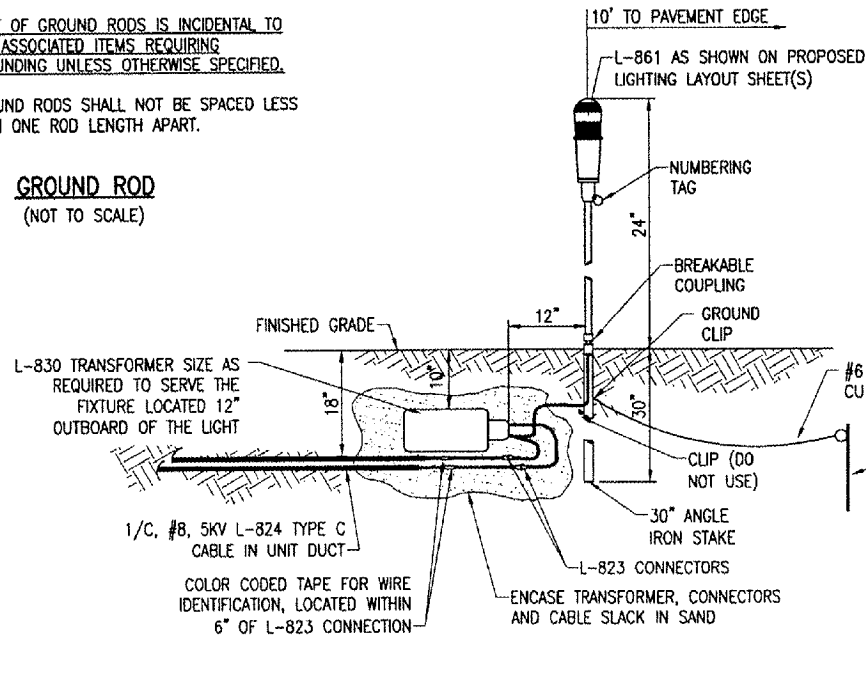
PROFILE VIEW

NOTES:
 TYPE AND MINIMUM NUMBER OF GROUND RODS SHALL BE AS SPECIFIED ON THE PLAN.
 THE RESISTANCE TO GROUND OF THE COUNTERPOISE GROUNDING SYSTEM SHALL NOT EXCEED 25 OHMS.

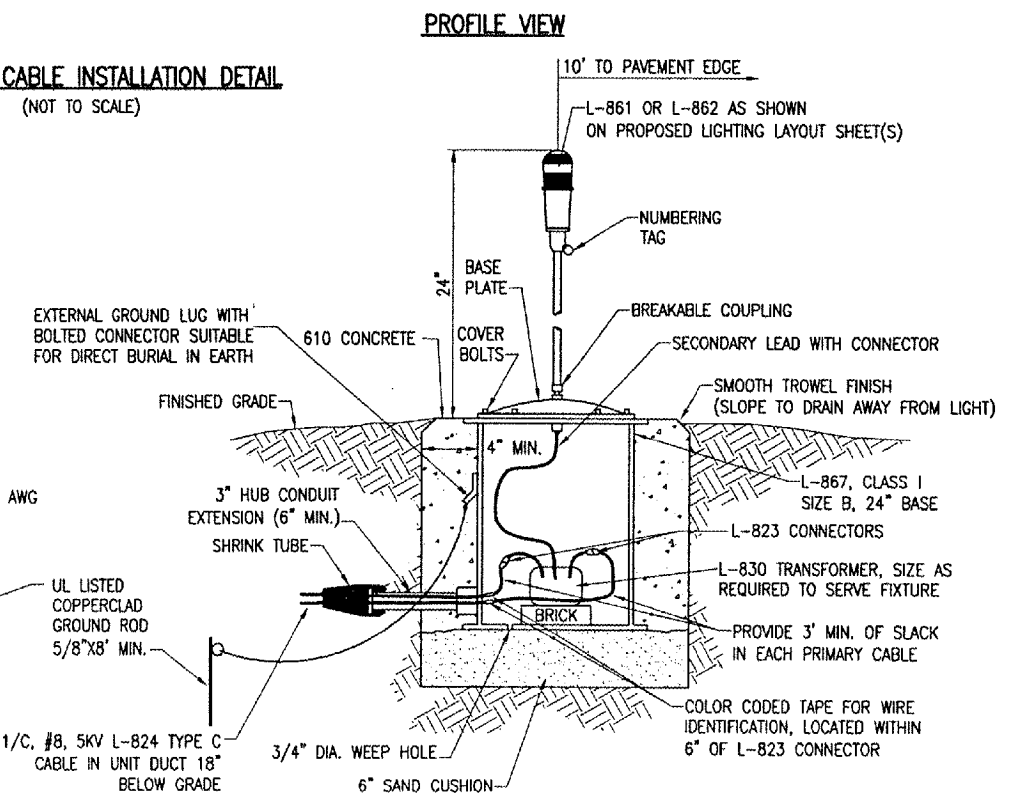
COST OF GROUND RODS IS INCIDENTAL TO THE ASSOCIATED ITEMS REQUIRING GROUNDING UNLESS OTHERWISE SPECIFIED.

GROUND RODS SHALL NOT BE SPACED LESS THAN ONE ROD LENGTH APART.

GROUND ROD
(NOT TO SCALE)



MEDIUM INTENSITY LIGHT - STAKE MOUNTED
(NOT TO SCALE)



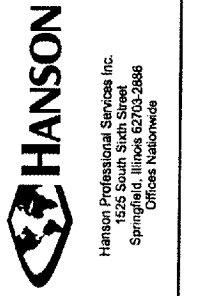
MEDIUM/HIGH INTENSITY LIGHT - BASE MOUNTED
(NOT TO SCALE)

BY	
REVISION	
DATE	

EFFINGHAM COUNTY
 MEMORIAL AIRPORT
 EFFINGHAM, ILLINOIS

A.I.P. PROJ.: 3-17-0040-B11
 I.L. PROJ.: 1H2-3761

REV. PROJECT No.	07A01430.0800
Drawn	R-542ELE.DWG
Scale	NOT TO SCALE
Date	02/12/08
LAYOUT	KOM 01/16/08
DRAWN	BHK 01/16/08
REVIEWED	CAH 02/12/08



WIDEN RUNWAY 11/29
 AND REPLACE MRL'S
 PROPOSED
 ELECTRICAL
 DETAILS SHEET 2

APR 09, 2008 6:43 PM HAGL000382
 I:\AIRPORTS\EFFINGHAM\07A0143\CAD\SHEETS\R-542ELE.DWG - Layout2