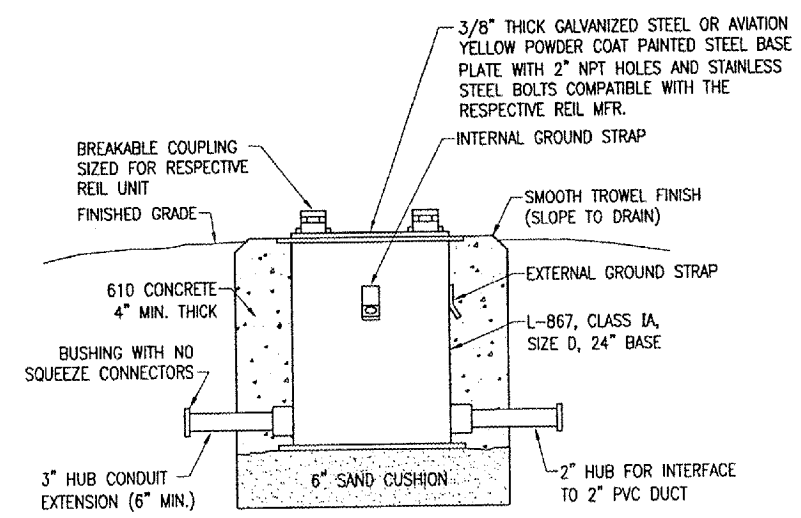
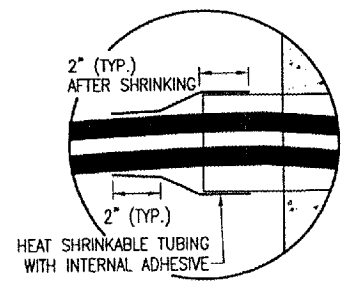


REIL INSTALLATION DETAIL
NOT TO SCALE



REIL BASE DETAIL
(NOT TO SCALE)



SHRINK TUBE DETAIL
(NOT TO SCALE)

NOTE:
FOR THE PURPOSE OF ENHANCING SAFETY, EACH BASE MUST HAVE INSTALLED, BY THE MANUFACTURER, AN INTERNAL AND EXTERNAL GROUND STRAP THAT IS AVAILABLE FOR THE PURPOSE OF ATTACHING A GROUND LUG THAT IS CONNECTED TO AN EARTH GROUND OR A SAFETY GROUND CONDUCTOR INSTALLED WITH THE RESPECTIVE CIRCUIT. FOR AIRPORT PROJECTS RECEIVING FEDERAL FUNDS THIS REQUIREMENT IS MANDATORY PER FAA AC 150/5345-42F.

REIL INSTALLATION NOTES

1. **REIL POWER CABLE NOTE:** THE CONTRACTOR WILL DISCONNECT THE EXISTING POWER CABLES FROM THE EXISTING REIL UNIT. HE WILL PROTECT THE POWER CABLE DURING THE REMOVAL OF THE EXISTING REILS AND THE INSTALLATION OF THE PROPOSED REIL UNITS. THE CONTRACTOR WILL CONNECT THE EXISTING POWER CABLES TO THE PROPOSED REIL UNIT. THIS WORK WILL BE CONSIDERED AS AN INCIDENTAL ITEM TO INSTALLING THE PROPOSED REILS AND NO ADDITIONAL COMPENSATION WILL BE ALLOWED.
2. VERIFY INSTALLATION & WIRING REQUIREMENTS WITH THE RESPECTIVE REIL MANUFACTURER.
3. REILS SHALL BE AIMED AT ANGLE 10 DEGREES VERTICALLY AND TOED OUT 15 DEGREES FROM THE LINE PARALLEL TO THE RUNWAY CENTERLINE.
4. REILS WILL BE PAID FOR UNDER ITEM AR125610 "REILS" PER PAIR.
5. ANY AND ALL TRENCHES AND DISTURBED AREAS WILL BE BACKFILLED AND RESTORED TO A SMOOTH GRADE AND SEEDED TO THE SATISFACTION OF THE ENGINEER. ALL TRENCH SETTLEMENT SHALL BE CORRECTED FOR A PERIOD OF ONE YEAR. RESTORATION, GRADING, SEEDING, AND MULCHING OF AREAS DISTURBED DURING THE REIL INSTALLATION AND ASSOCIATED CABLE WILL BE INCIDENTAL TO ITEM AR125610 REILS.

BY	
REVISION	
DATE	
FLORA AIRPORT FLORA, ILLINOIS	
A.I.P. PROJ.: 3-17-0044-815 I.L. PROJ.: FOA-3786	
Project No.	08A0021D_0800
Element	E-503.DWG
Scale	NONE
Date	02/01/08
LAYOUT	KNL 01/29/08
DRAWN	MV 01/29/08
REVIEWED	CAH 02/01/08
HANSON Hanson Professional Services Inc. 1625 South State Street Springfield, Illinois 62703-2888 Offices Nationwide	
INSTALL REILS & PLASTIC ON RUNWAY END 21	
REIL INSTALLATION DETAIL	
8	
8 of 15 sheets	