

BY	
REVISION	
DATE	

FLORA AIRPORT
FLORA, ILLINOIS

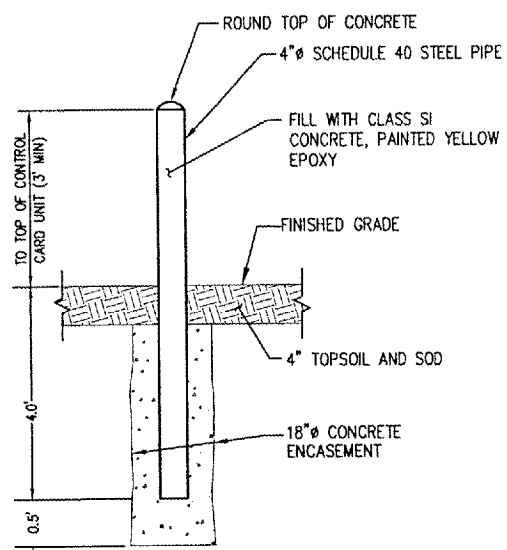
ILL. PROJ.: FOA-3758 A.I.P. PROJ.: 3-17-0944-B14

HEI Project No.	07A0122D_0800
Filename	E-501.DWG
Scale	NONE
Date	05/20/05
LAYOUT	KNL 01/30/08
DRAWN	MV 01/31/08
REVIEWED	CAH 05/20/05



HANSON
Hanson Professional Services, Inc.
1525 South Sixth Street
Springfield, Illinois 62705-2886
Offices Nationwide

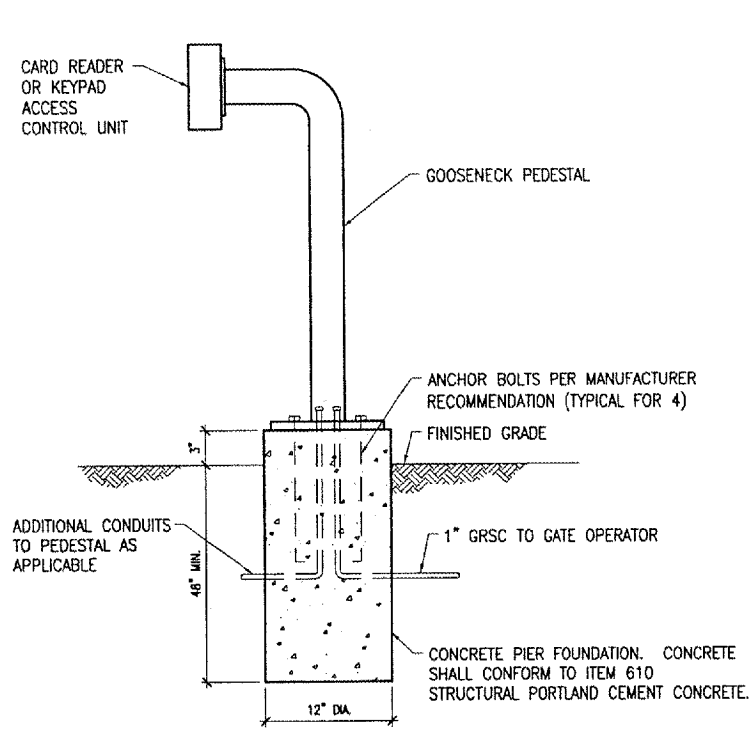
EXPAND
HANGAR PAVEMENT
CARD READER, BOLLARD &
GATE OPERATOR DETAILS



NOTES

1. THE EXPOSED PORTION OF THE BOLLARD SHALL BE PAINTED YELLOW EPOXY.
2. BOLLARD AND ASSOCIATED ITEMS ARE INCIDENTAL TO THE ELECTRIC SLIDING GATE.

BOLLARD DETAIL

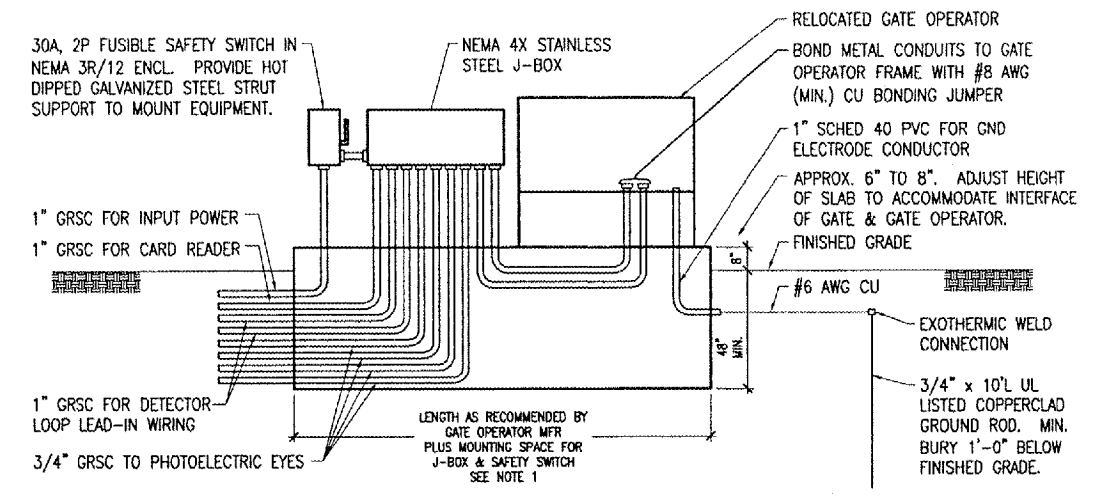


NOTES

1. CARD READER & PEDESTAL ARE EXISTING UNITS TO BE RELOCATED.
2. INCLUDE #12 AWG EQUIPMENT GND WIRE TO CARD READER.

CARD READER/KEYPAD ACCESS CONTROL
UNIT PEDESTAL ELEVATION DETAIL

SCALE: NONE



NOTES

1. FOUNDATION FOR GATE OPERATOR SHALL BE 48" MIN. IN DEPTH AND OF THE LENGTH & WIDTH RECOMMENDED BY THE MANUFACTURER, PLUS SPACE FOR SAFETY SWITCH, J-BOX & CONDUITS.
2. COORDINATE CONDUITS INTO FOUNDATION.
3. CONFIRM CONDUIT SIZES AND WIRING REQUIREMENTS WITH THE GATE OPERATOR MFR. ADJUST/INCREASE CONDUIT SIZES WHERE APPLICABLE. REQUIREMENTS VARY BETWEEN DIFFERENT MANUFACTURERS.
4. ALL ENCLOSURES RATED NEMA 4, 4X SHALL HAVE WATERTIGHT HUBS AT CONDUIT ENTRANCES U.L. LISTED NEMA 4, 4X FOR THE RESPECTIVE ENCLOSURE, TO MAINTAIN THE NEMA 4, 4X RATING.

CARD READER/KEYPAD ACCESS CONTROL

"NOT TO SCALE"