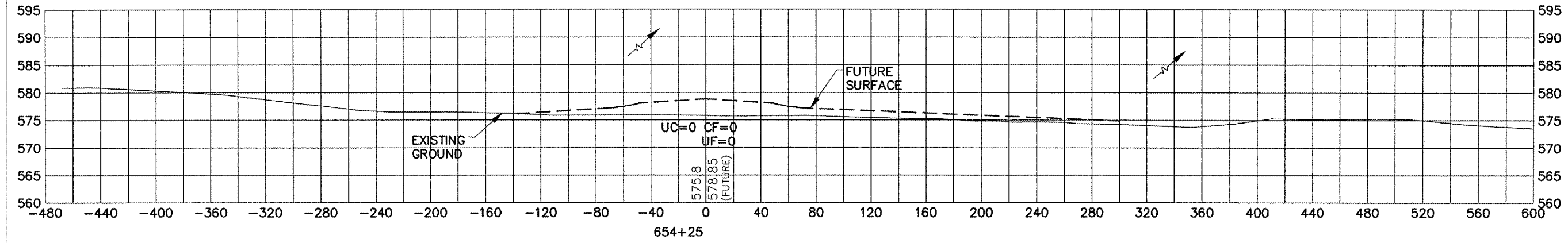
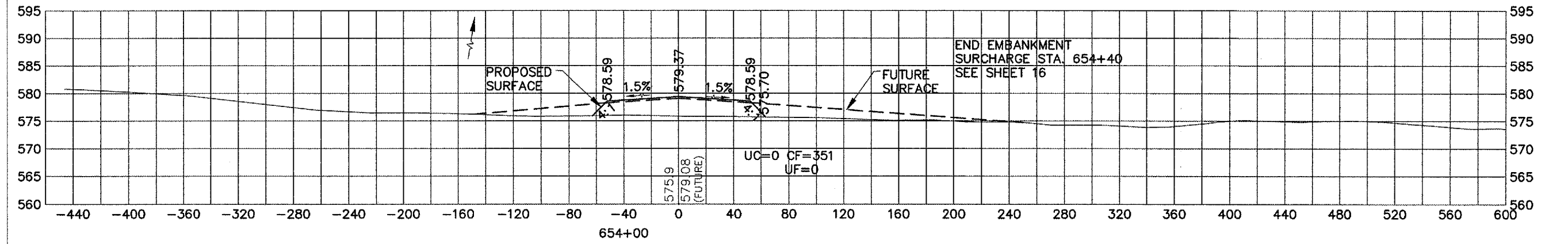


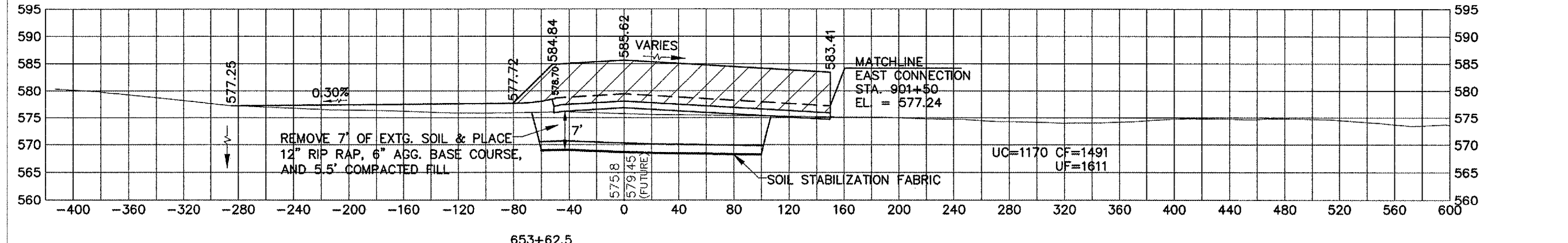
654+40



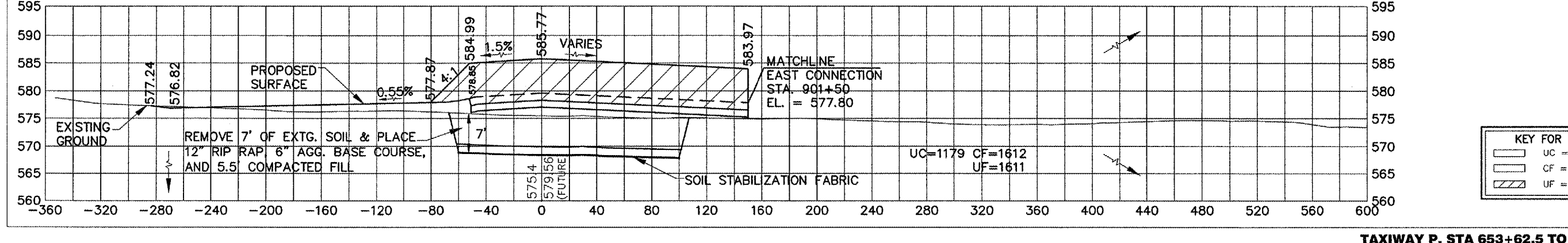
654+25



654+00



653+62.5



| KEY FOR EARTHWORK | |
|-------------------|-----------------------|
| | UC = UNCLASSIFIED CUT |
| | CF = COMPACTED FILL |
| | UF = UNCOMPACTED FILL |

G:\AIRPORT\A07030 TP-ERTHWK DSN\Sections P.dwg, 4/21/2008 11:44:01 AM, jeffm