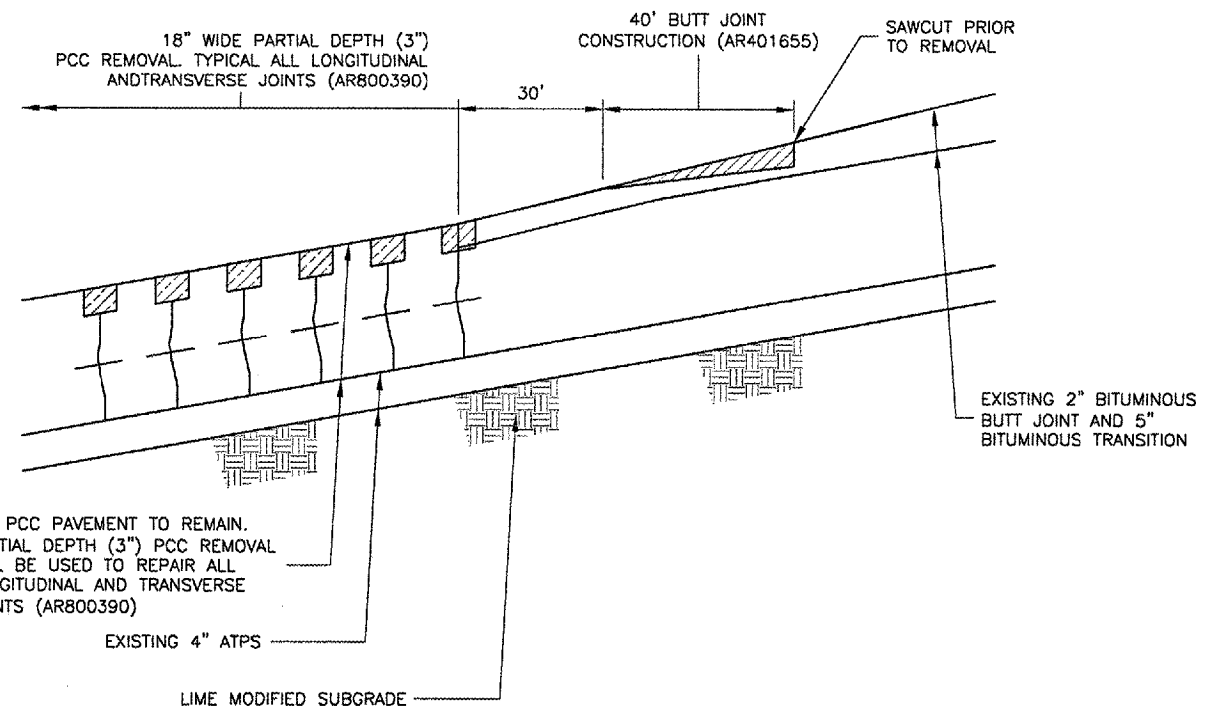
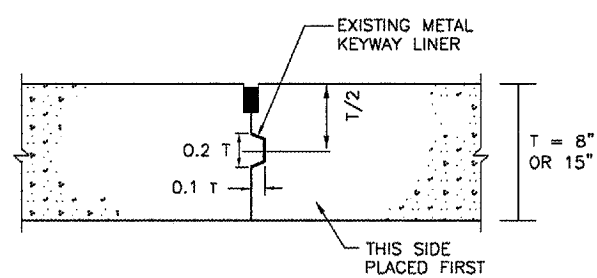
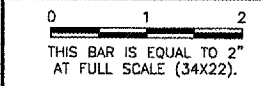


REMOVAL SECTION - TAXIWAY A6 AT TAXIWAY A  
 N.T.S. (II)



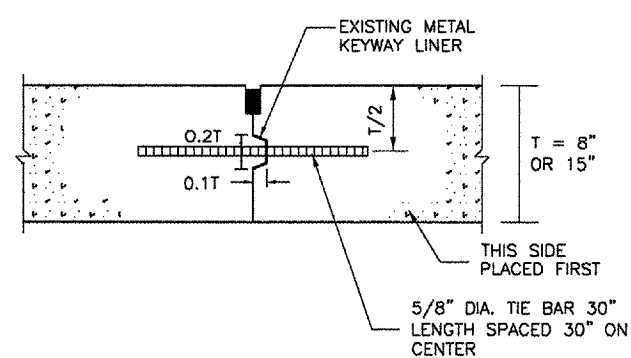
REMOVAL SECTION - TAXIWAY A7 AT TAXIWAY A  
 N.T.S. (GG)

REVISIONS		
NUMBER	BY	DATE



EXISTING TYPE C KEYED JOINT DETAIL

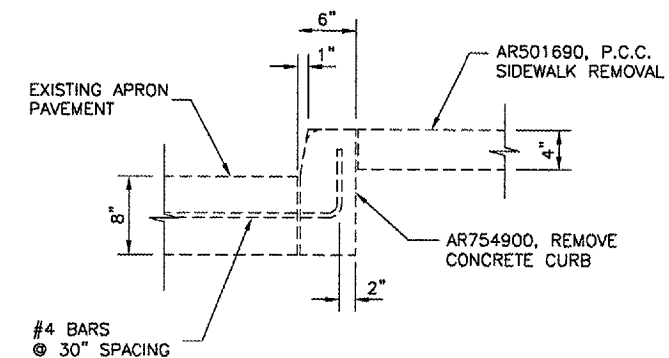
SYMBOL



EXISTING TYPE E HINGED (KEYED) JOINT DETAIL

SYMBOL

EXISTING KEYED JOINT DETAILS  
 N.T.S.



**NOTE:**  
 ANY DAMAGE TO EXISTING PAVEMENT ADJACENT TO THE REMOVAL LOCATION TO BE REPAIRED BY THE CONTRACTOR TO THE SATISFACTION OF THE AIRPORT AT NO EXPENSE TO THE CONTRACT.

CURB ADJACENT TO CONCOURSE TYPICAL DETAIL  
 N.T.S.

UNIVERSITY OF ILLINOIS  
 WILLARD AIRPORT

REHABILITATE AIR CARRIER RAMP, PHASE 2  
 PAVEMENT REMOVAL DETAILS SHEET 3

© Copyright CMT, Inc.  
**CMT**  
 CRAWFORD, MURPHY & TULLY, INC.  
 CONSULTING ENGINEERS  
 License No. 184-000693

DESIGN BY:	SMS
DRAWN BY:	CMT
CHECKED BY:	<i>SMS</i>
APPROVED BY:	<i>SMS</i>
DATE:	04/18/2008
JOB No:	0305903

CMI-3663  
 3-17-0016-XX