

REVISIONS		
NUMBER	BY	DATE

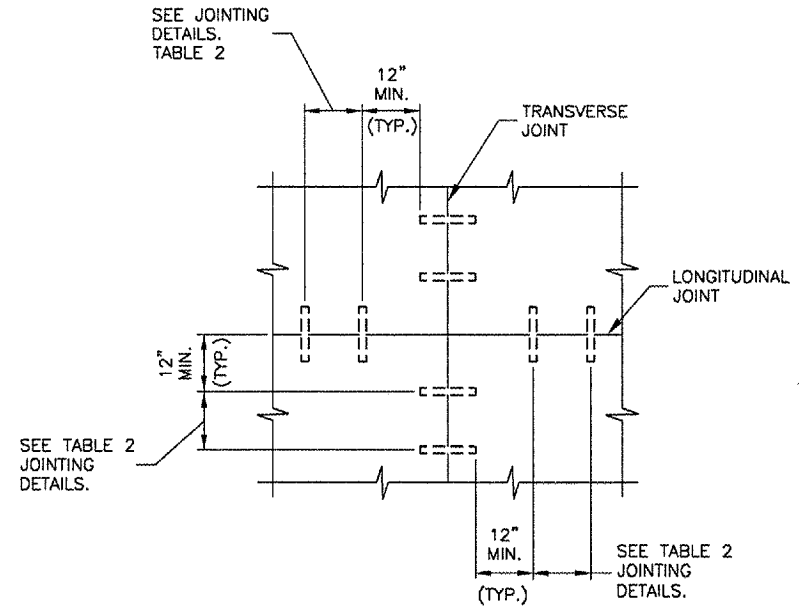
0 1 2  
 THIS BAR IS EQUAL TO 2" AT FULL SCALE (34X22).

UNIVERSITY OF ILLINOIS  
 WILLARD AIRPORT  
 REHABILITATE AIR CARRIER RAMP, PHASE 2  
 PAVING AND MISCELLANEOUS DETAILS SHEET 1

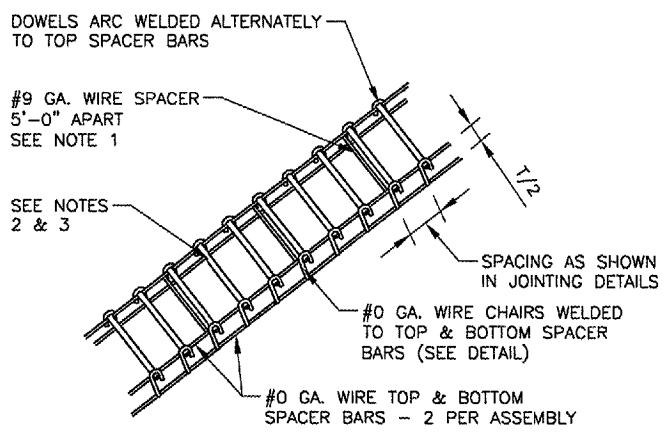
© Copyright CMT, Inc.  
**CMT**  
 CRAWFORD, MURPHY & TILLY, INC.  
 CONSULTING ENGINEERS  
 License No. 84-000618

DESIGN BY: SMS  
 DRAWN BY: CMT  
 CHECKED BY: *SMB*  
 APPROVED BY: *SMB*  
 DATE: 04/18/2008  
 JOB No: 0305903

CMI-3663  
 3-17-0016-XX  
 SHEET 31 OF 57 SHEETS



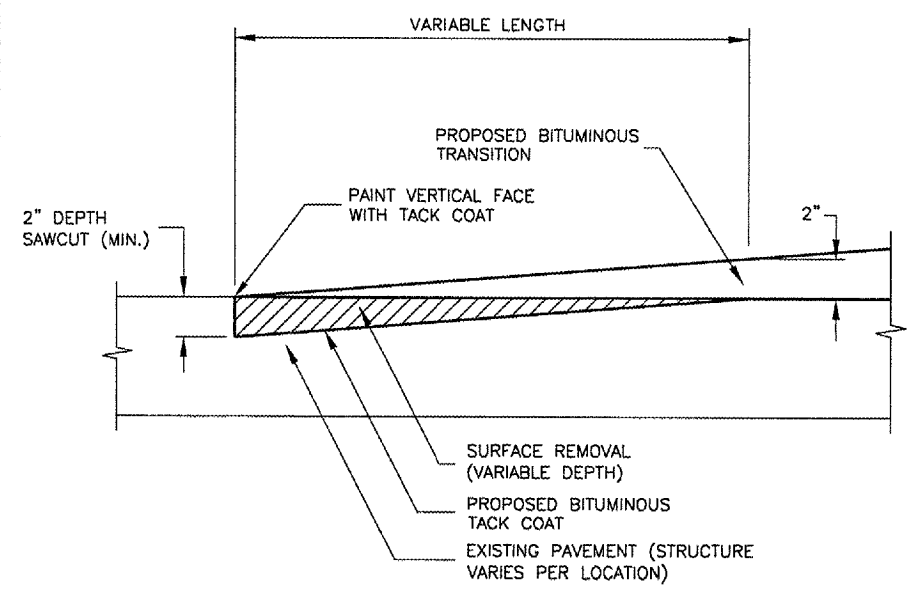
**DOWEL INSTALLATION AT JOINT CORNERS DETAIL**  
 N.T.S.



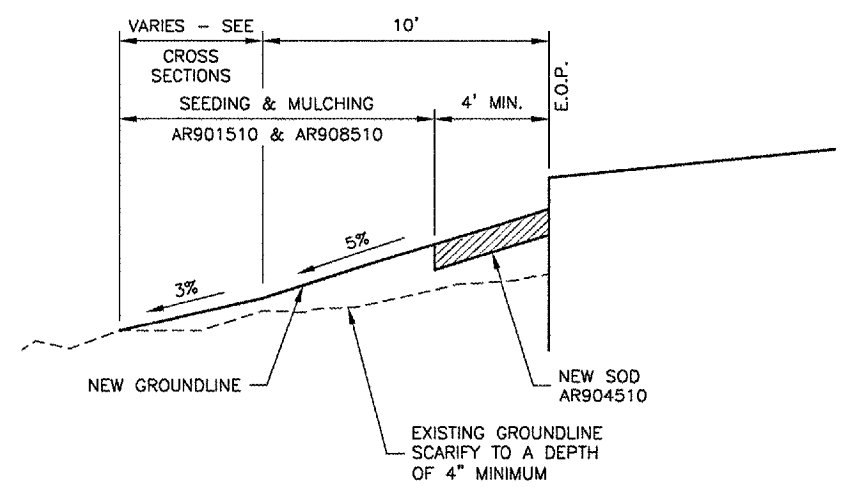
**DOWEL BASKET ASSEMBLY DETAIL**  
 N.T.S.

**DOWEL BASKET NOTES**

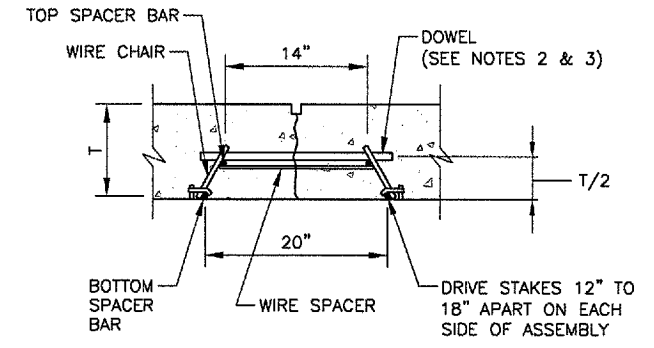
- #9 GA. WIRE SPACER BAR ARC WELDED TO THE BOTTOM OF TOP SPACER BAR (MAY BE MECHANICALLY ATTACHED IN LIEU OF WELDING): 3 REQUIRED PER UNIT.
- DOWEL BAR DIAMETER, LENGTH & SPACING SHALL BE AS SHOWN IN TABLE 2 OF JOINTING DETAILS SHEET.
- DOWELS SHALL BE EPOXY COATED FULL LENGTH OF DOWEL. IMMEDIATELY PRIOR TO PAVING, THE FREE END OF EACH DOWEL SHALL BE LUBRICATED OR OILED, FOR HALF THE LENGTH OF THE DOWEL ONLY.



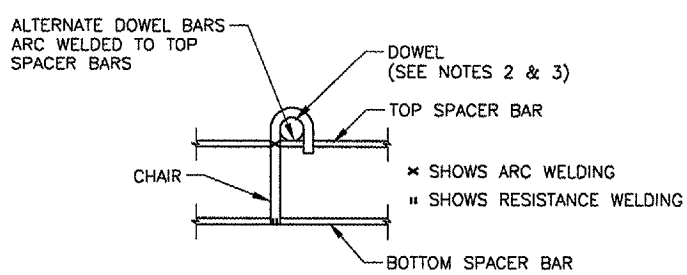
**BUTT JOINT DETAIL**  
 N.T.S.



**NEW TURF SHOULDER DETAIL "A"**  
 N.T.S.

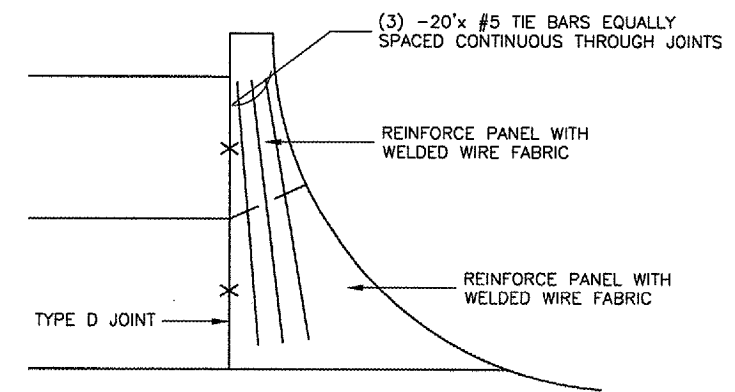


**DOWEL BAR INSTALLATION DETAIL**  
 N.T.S.



**TYPICAL DOWEL BASKET ELEVATION DETAIL SHOWING CHAIR**  
 N.T.S.

**DOWEL BASKET DETAILS**



**FILLET DETAIL AND FILLET REINFORCING DETAIL**  
 N.T.S.