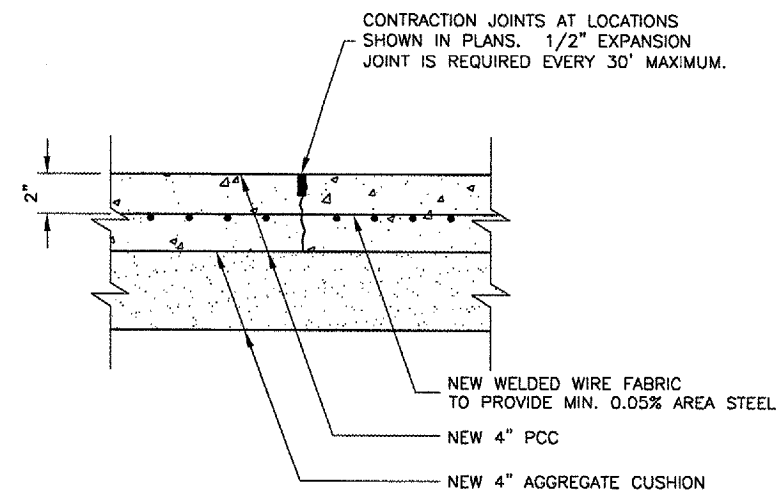
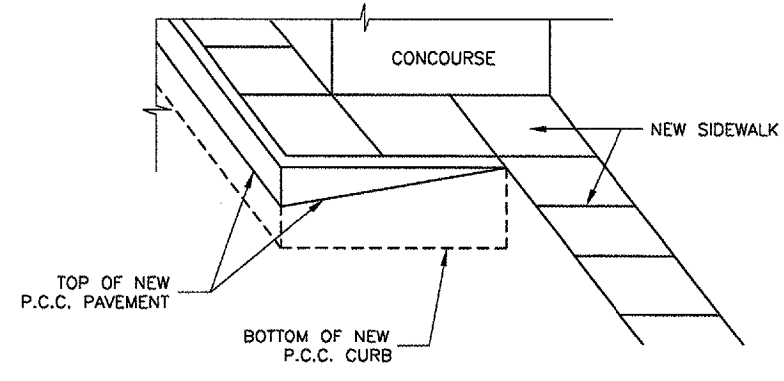
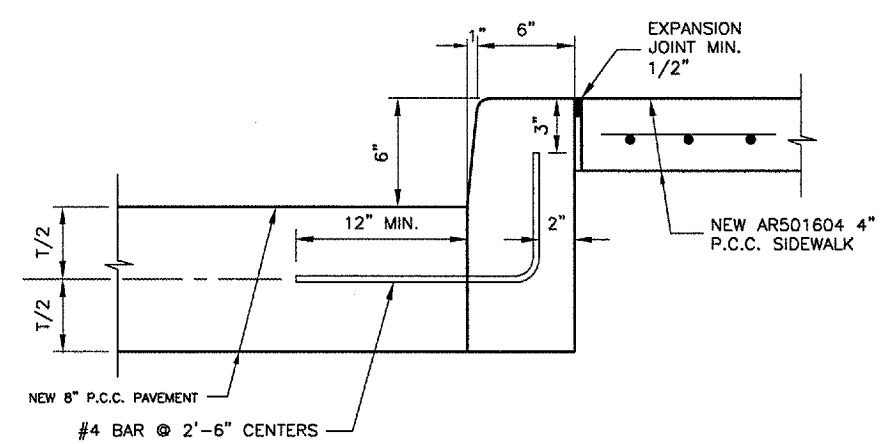
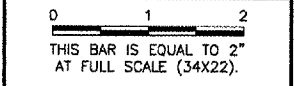


SIDEWALK AT DOORS
 N.T.S.

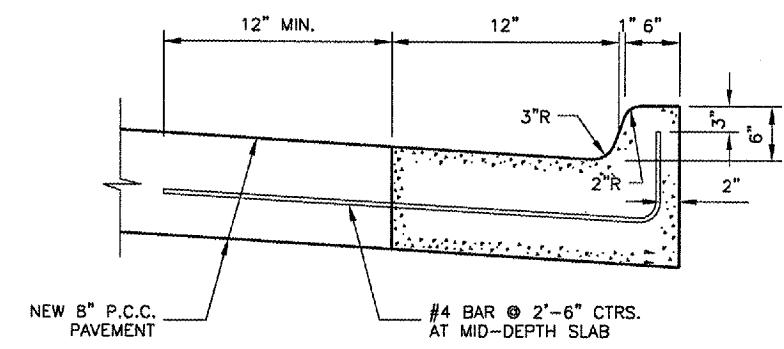
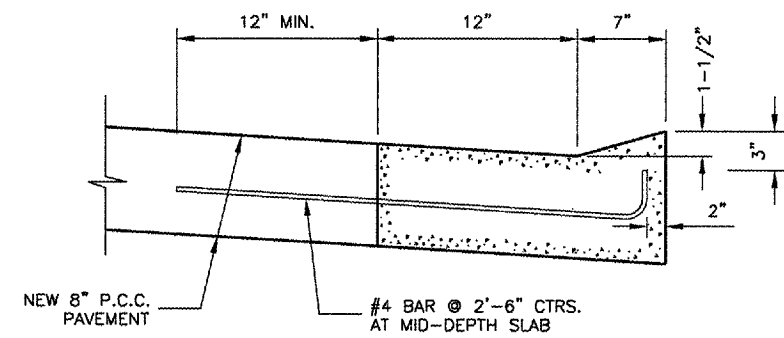
SIDEWALK RAMPS
 N.T.S.

REVISIONS		
NUMBER	BY	DATE



SIDEWALK AND CURB NOTES:

1. NEW COMB. CURB AND GUTTER DETAILS MATCH RECORDS OF EXISTING CURB AS BUILT IN FIELD. ADJUSTMENT MAY BE REQUIRED AT TIE-IN POINTS OF NEW CURB TO EXISTING CURB.
2. SIDEWALK RAMP CONSTRUCTION, INCLUDING DETECTABLE WARNING PAVERS, INCIDENTAL TO ITEM AR501604.
3. CONTRACTION JOINTS ARE REQUIRED IN THE NEW CURB CONSTRUCTION. JOINTS MUST MATCH JOINTING IN NEW PCC PAVEMENT.
4. 1/2" EXPANSION JOINT IS REQUIRED AT THE BACK OF CURB OR NEW PCC PAVEMENT, DEPENDING ON LOCATION IN THE NEW SIDEWALK CONSTRUCTION
5. 1/2" EXPANSION JOINTS SPACED A MAXIMUM OF 30 FEET ON CENTERS ARE REQUIRED IN THE NEW SIDEWALK. THE EXPANSION JOINT WILL BE IN PLACE OF A CONTRACTION JOINT AT THAT LOCATION. EXPANSION JOINTS WILL BE PLACED AT THE END OF EACH DAY'S PLACEMENT IN THE SIDEWALK CONSTRUCTION.



NEW AR754410 COMB. CONCRETE CURB AND GUTTER
 N.T.S.

UNIVERSITY OF ILLINOIS
 WILLARD AIRPORT
 REHABILITATE AIR CARRIER RAMP, PHASE 2
 SIDEWALK AND CURB DETAILS

© Copyright CMT, Inc.
CMT
 CRAWFORD, MURPHY & TILLY, INC.
 CONSULTING ENGINEERS
 License No. 04-000653

DESIGN BY:	SMS
DRAWN BY:	DPA
CHECKED BY:	<i>SMS</i>
APPROVED BY:	<i>SMS</i>
DATE:	04/18/2008
JOB No:	0305903
CMI-3663 3-17-0016-XX	
SHEET 34 OF 57 SHEETS	