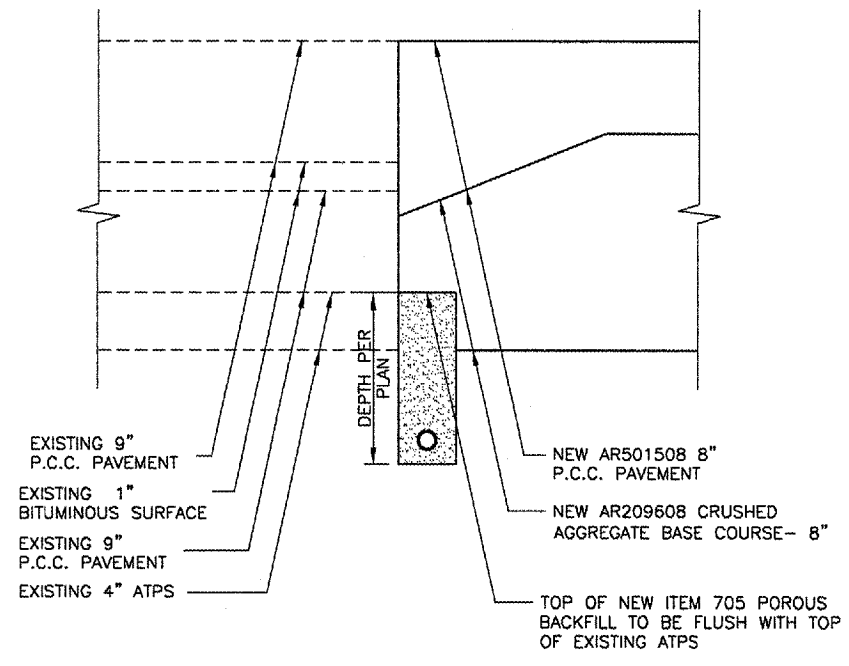
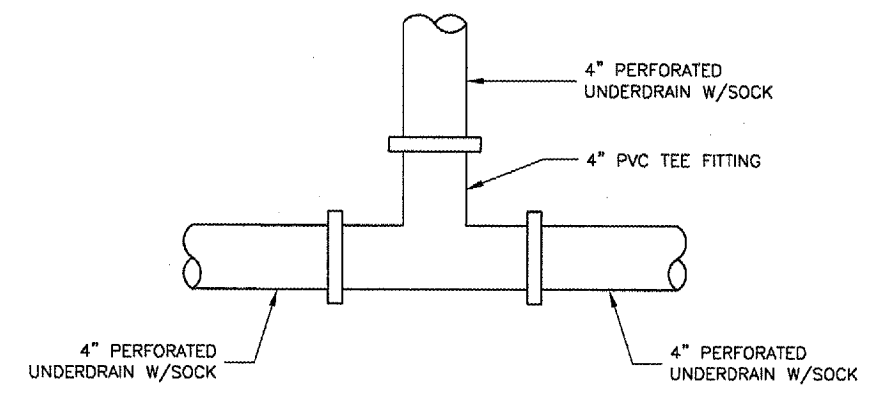


**UNDERDRAIN PIPE INSTALLATION  
 BELOW PAVEMENT DETAIL**  
 N.T.S.

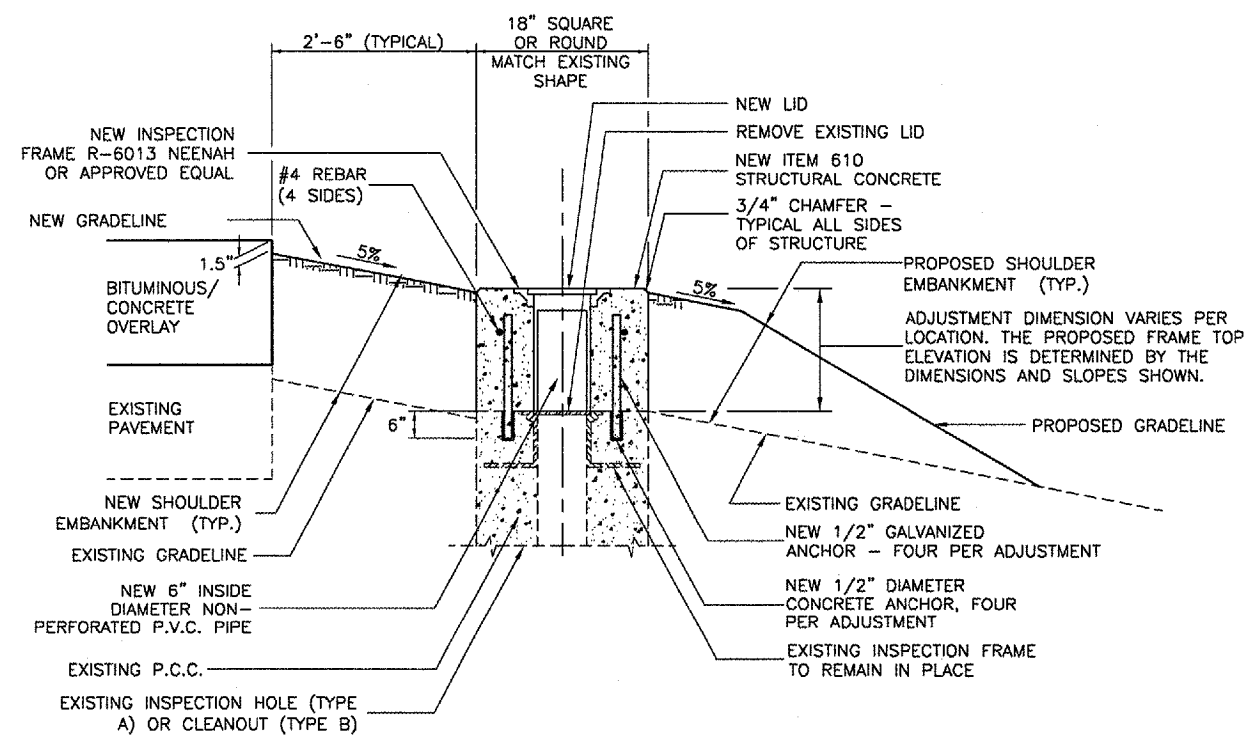
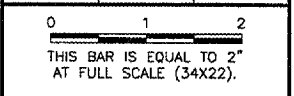


**UNDERDRAIN INSTALLATION AT  
 EDGE OF EXISTING ATPS DETAIL**  
 N.T.S.



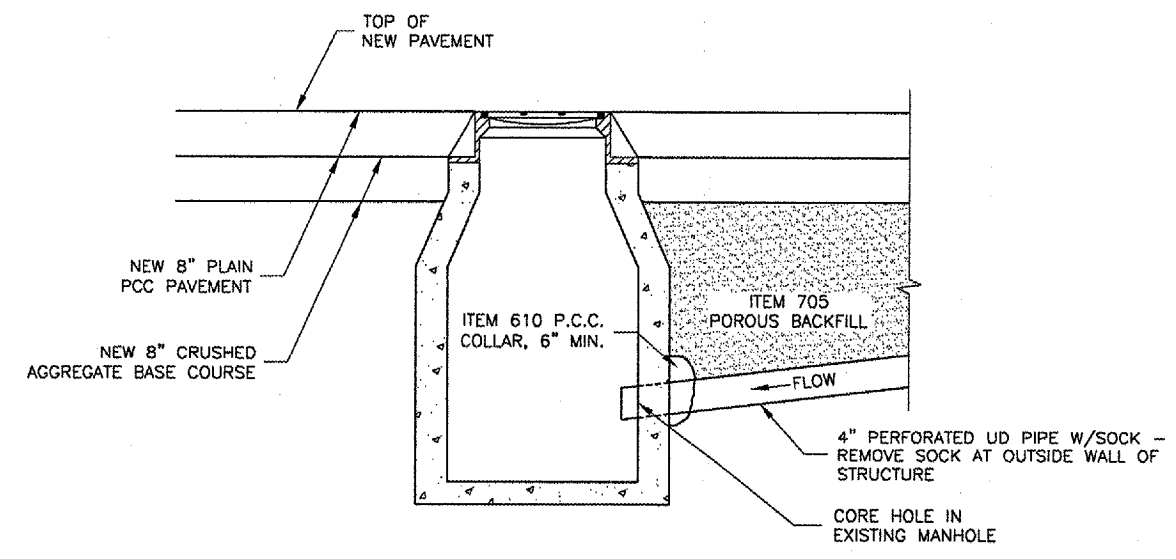
**3-WAY UNDERDRAIN CONNECTION DETAIL**  
 N.T.S.

REVISIONS		
NUMBER	BY	DATE



- METHOD OF CONSTRUCTION**
- 1.) ADJUST SHOULDERS TO GRADE.
  - 2.) EXCAVATE CLEANOUT/INSPECTION HOLE AND ADJUST TO PROPER GRADE.
  - 3.) BACKFILL EXCAVATED MATERIAL.

**CLEANOUT/INSPECTION HOLE ADJUSTMENT -  
 IN TURF DETAIL**  
 N.T.S.



**DIRECT CONNECTION DETAIL**  
 N.T.S.

UNIVERSITY OF ILLINOIS  
 WILLARD AIRPORT

REHABILITATE AIR CARRIER RAMP, PHASE 2

UNDERDRAIN DETAILS

© Copyright CMT, Inc.  
**CMT**  
 CRAWFORD MURPHY & TILLY, INC.  
 CONSULTING ENGINEERS  
 License No. 184-000615

DESIGN BY:	SMS
DRAWN BY:	CMT
CHECKED BY:	<i>SMS</i>
APPROVED BY:	<i>SMS</i>
DATE:	04/18/2008
JOB No:	0305903
CMI-3663 3-17-0016-XX	
SHEET 39 OF 57 SHEETS	