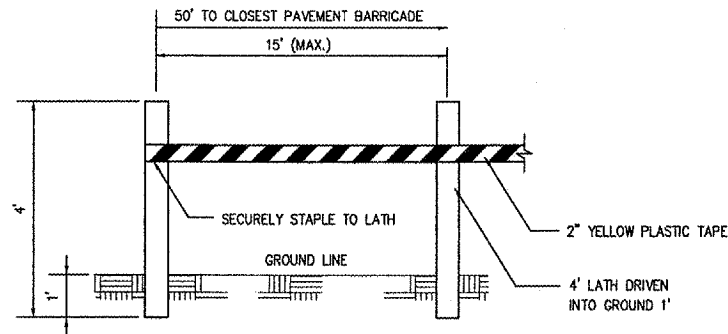
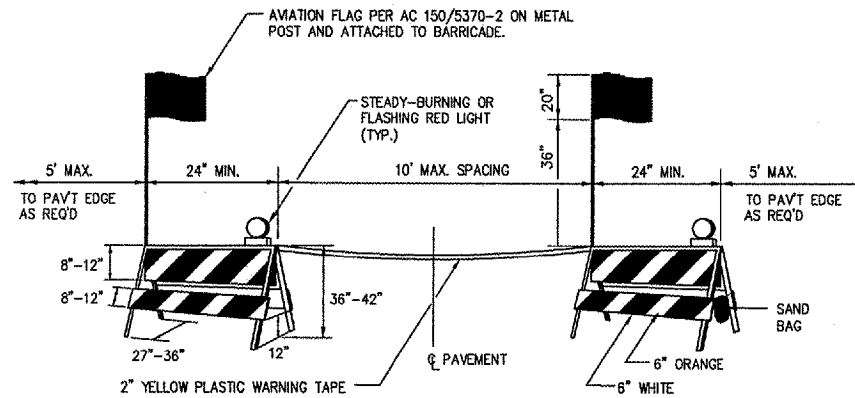


CONSTRUCTION AND SAFETY NOTES



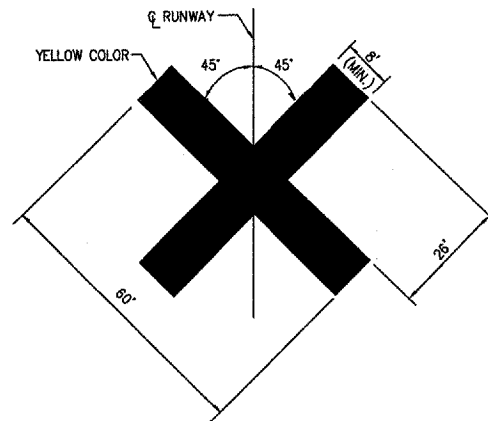
MATERIALS ARE TO BE APPROVED BY ENGINEER PRIOR TO INSTALLATION. COST OF MATERIALS, INSTALLATION, RELOCATION AND MAINTENANCE OF LATHING AND WARNING TAPE IS TO BE INCIDENTAL TO THE CONTRACT.

DETAIL A
LATHING AND WARNING TAPE
NTS



BARRICADES ARE TO BE OF IDOT TYPE I. A STEADY-BURNING OR FLASHING RED LIGHT FACING PASSING TRAFFIC IS TO BE MOUNTED ABOVE THE TOP OF EACH BARRICADE FRAME. THE BARRICADE IS TO BE STABILIZED FROM WIND BY SANDBAGS PLACED ON THE FRAME OR OTHER METHODS APPROVED BY THE RESIDENT ENGINEER. NO PART OF THE REFLECTORIZED PORTION OF THE BARRICADE IS TO BE OBSTRUCTED IN ANY MANNER. COST OF FURNISHING, INSTALLING, RELOCATING, MAINTAINING and REMOVING BARRICADES IS TO BE INCIDENTAL TO THE CONTRACT.

DETAIL B
PAVEMENT BARRICADES
NTS



NOTES

- VINYL MARKERS SHALL BE FURNISHED BY THE OWNER. THE CONTRACTOR SHALL FURNISH ALL LABOR AND MATERIALS FOR INSTALLING, RELOCATING AND MAINTAINING THE MARKERS, WHOSE COST SHALL BE INCIDENTAL TO THE CONTRACT.
- CONTRACTOR SHALL LOCATE THE MARKERS ON TOP OF THE RUNWAY NUMERALS DURING CLOSURE OF THE RUNWAY.
- MARKERS TO BE SECURED BY CONTRACTOR AS RECOMMENDED BY THE MANUFACTURER.

DETAIL C
TEMPORARY RUNWAY CLOSED MARKER
NTS

SEQUENCE OF CONSTRUCTION

TO MINIMIZE DISRUPTIONS TO AIRPORT OPERATIONS, CONSTRUCTION OPERATIONS MUST BE CONTROLLED THROUGHOUT THE PROJECT'S DURATION AND WORK MUST BE COMPLETED EXPEDITIOUSLY. THE CONTRACTOR IS TO PREPARE AND FOLLOW A STAGING PLAN THAT COORDINATES HIS WORK WITH THE WORK OF HIS SUBCONTRACTORS AND THE WORK OF OTHER CONTRACTORS ON-FIELD. THIS STAGING PLAN MUST BE SATISFACTORY TO THE PROJECT ENGINEER AND THE AIRPORT DIRECTOR. THE CONTRACTOR SHALL EXPEDITE WORK AT THOSE STAGES WHEN ACTIVE TAXIWAYS, APRONS, ROADWAYS OR PARKING LOTS MUST BE CLOSED TO MINIMIZE THE LENGTH OF TIME THAT AIRPORT OPERATIONS ARE RESTRICTED.

LATHING AND WARNING TAPE

THE PROJECT WILL REQUIRE THE PLACEMENT OF LATHING AND WARNING TAPE TO DELINEATE THE CONSTRUCTION AREA. IT SHALL BE THE CONTRACTOR'S RESPONSIBILITY TO PROVIDE, PLACE AND MAINTAIN LATHING AND WARNING TAPE SHOWN ON DETAIL A, THIS SHEET, AND AS DIRECTED BY THE RESIDENT ENGINEER AND THE AIRPORT DIRECTOR. THE CONTRACTOR WILL FURNISH, PLACE, MAINTAIN AND RELOCATE THE LATHING AND WARNING TAPE AS REQUIRED. THE COST OF THESE ITEMS, AND THEIR MAINTENANCE, IS TO BE INCIDENTAL TO THE CONTRACT.

RUNWAY CLOSURE

THE PROJECT WILL REQUIRE THE PLACEMENT OF RUNWAY CLOSURE MARKINGS, SEE STAGING PLAN. TO MINIMIZE DISRUPTION TO AIRCRAFT OPERATIONS ASSOCIATED WITH THE RUNWAY CLOSURE, CONSTRUCTION WORK MUST BE COMPLETED EXPEDITIOUSLY. RUNWAY CLOSINGS SHALL ONLY BE PERMITTED BY PRIOR AUTHORIZATION OF THE RESIDENT ENGINEER AND THE AIRPORT OWNER.

PREMANUFACTURED, VINYL MARKERS WILL BE FURNISHED TO THE CONTRACTOR BY THE OWNER. IT WILL BE THE CONTRACTOR'S RESPONSIBILITY TO INSTALL, RELOCATE AND MAINTAIN RUNWAY CLOSURE MARKERS AT THE LOCATIONS SHOWN IN THE STAGING PLAN, SEE DETAIL C, THIS SHEET, AND AS DIRECTED BY THE RESIDENT ENGINEER AND AIRPORT OWNER. THE COST OF PLACING AND RELOCATING THESE ITEMS, AND THEIR MAINTENANCE, IS TO BE INCIDENTAL TO THE CONTRACT.

THE AIRPORT OWNER WILL DE-ENERGIZE AIRFIELD LIGHTING, NAVAID AND ROTATING BEACON POWER AND CONTROL CIRCUITS WHEN THE RUNWAY IS CLOSED.

TEMPORARY BARRICADES ON AIRFIELD

THE PROJECT WILL REQUIRE THE PLACEMENT OF BARRICADES TO DELINEATE PORTIONS OF THE CONSTRUCTION AREA AND FOR TEMPORARY CLOSURES OF ACTIVE TAXIWAYS AND APRONS. IT WILL BE THE CONTRACTOR'S RESPONSIBILITY TO FURNISH, PLACE AND MAINTAIN BARRICADES AS SHOWN IN DETAIL B, THIS SHEET, AND AS DIRECTED BY THE RESIDENT ENGINEER AND AIRPORT DIRECTOR. THE COST OF THESE ITEMS, AND THEIR MAINTENANCE, IS TO BE INCIDENTAL TO THE CONTRACT. ANY WORK THAT REQUIRES PORTIONS OF AN ACTIVE TAXIWAY OR APRON TO BE CLOSED MUST BE COMPLETED EXPEDITIOUSLY TO MINIMIZE DISRUPTION TO AIRCRAFT OPERATIONS.

OPEN TRENCHES, EXCAVATIONS AND STOCKPILED MATERIAL AT THE CONSTRUCTION SITE SHALL BE DELINEATED WITH THE USE OF BARRICADES DURING HOURS OF RESTRICTED VISIBILITY AND/OR DARKNESS. NO OPEN TRENCHES SHALL BE ALLOWED WITHIN THE RUNWAY SAFETY AREA (RSA) OR THE TAXIWAY SAFETY AREA (TSA) OVER NIGHT. THE RSA IS DEFINED AS 250 FEET FROM THE RUNWAY CENTERLINE AND 1000 FEET FROM THE END OF ACTIVE RUNWAYS, 85.5 FEET FROM THE CENTERLINE OF ACTIVE TAXIWAYS, 44.5 FEET FROM T-HANGAR TAXILANES AND 10 FEET FROM THE EDGE OF ACTIVE APRONS.

VEHICULAR TRAFFIC CONTROL

IT SHALL BE THE CONTRACTOR'S RESPONSIBILITY TO PROVIDE AND PLACE ROAD WARNING SIGNS AND BARRICADES ON THE EXISTING ROADWAYS PRIOR TO THE START OF CONSTRUCTION IN THE VICINITY. THE CONTRACTOR SHALL PROVIDE, INSTALL AND RELOCATE THE ITEMS AS REQUIRED. THE COST OF THIS WORK IS TO BE INCIDENTAL TO THE CONTRACT.

CONTRACTOR SHALL PROVIDE, INSTALL AND REMOVE ALL TRAFFIC CONTROL ITEMS WHEN CONSTRUCTION ACTIVITIES ARE WITHIN 15 FEET OF AN ACTIVE ROADWAY EDGE OR AS REQUIRED BY THE SITE PLAN. COST OF THIS WORK IS TO BE INCIDENTAL TO THE CONTRACT.

AIRFIELD OPERATIONAL SAFETY DURING CONSTRUCTION

ALL CONSTRUCTION TRAFFIC AND PERSONNEL SHALL REMAIN WITHIN THE CONSTRUCTION LIMIT LINE SHOWN ON THE STAGING PLAN FOR THE STAGE CURRENTLY UNDER CONSTRUCTION. CONTRACTOR'S PERSONNEL AND EQUIPMENT MUST REMAIN AT LEAST 200 FEET FROM THE CENTERLINE OF ACTIVE RUNWAYS, 1000 FEET FROM THE END OF ACTIVE RUNWAYS, 85.5 FEET FROM THE CENTERLINE OF ACTIVE TAXIWAYS, 44.5 FEET FROM T-HANGAR TAXILANES AND 10 FEET FROM THE EDGE OF ACTIVE APRONS.

WHEN IT IS NECESSARY FOR CONSTRUCTION VEHICLES TO OPERATE ON OR WITHIN THESE LIMITS, THE RUNWAY, TAXIWAYS OR APRON MUST BE CLOSED. THE CONTRACTOR WILL PROVIDE POSITIVE CONTROL OF CONSTRUCTION VEHICLES USING RADIO-EQUIPPED FLAGGERS. ALL CONTRACTOR'S EQUIPMENT USED IN ACTIVE AIRPORT OPERATIONS AREAS SHALL BE EQUIPPED WITH A FAA-STANDARD FLAG, AS REFERENCED IN FAA AC 150/5370-2, CURRENT ISSUE. AIRCRAFT SHALL HAVE THE RIGHT-OF-WAY. CONSTRUCTION VEHICLES SHALL NOT CROSS AN ACTIVE RUNWAY. THE COST OF ALL TRAFFIC CONTROL, BOTH WITHIN AND OUTSIDE OF AIRPORT OPERATIONS AREAS, IS TO BE INCIDENTAL TO THE CONTRACT.

WHEN NOT IN USE AND DURING NONWORKING HOURS, CONTRACTOR'S EQUIPMENT SHALL BE PARKED WITHIN THE CONTRACTOR'S EQUIPMENT STORAGE AND PARKING AREAS. THE EQUIPMENT STORAGE AND PARKING AREAS ARE TO BE LOCATED AS SHOWN ON THE STAGING PLAN. THE CONTRACTOR WILL BE RESPONSIBLE FOR MAINTAINING THE CONSTRUCTION ENTRANCE IN GOOD CONDITION. THE COST OF MAINTAINING THE CONSTRUCTION ENTRANCE IS TO BE INCIDENTAL TO THE CONTRACT.

AT NO TIME SHALL THE CONTRACTOR OPERATE OR PARK EQUIPMENT SO AS TO OBSTRUCT AN ACTIVE RUNWAY APPROACH SURFACE.

BEFORE REOPENING TEMPORARILY CLOSED RUNWAYS, TAXIWAYS OR ROADWAYS, THE CONTRACTOR SHALL INSPECT AND CLEAN, AS NECESSARY, THE PAVEMENT TO ASSURE THAT NO MATERIALS OR OBJECTS THAT MAY DAMAGE AIRCRAFT OR VEHICLES REMAIN. ANY REQUIRED CLEANING SHALL BE TO THE SATISFACTION OF THE RESIDENT ENGINEER AND AIRPORT OWNER AND IS INCIDENTAL TO THE CONTRACT.

ALL CONTRACTOR EQUIPMENT IS LIMITED TO A HEIGHT OF 25 FEET, EXCEPT FOR EQUIPMENT STORED IN THE STORAGE AREA WHICH SHALL BE LIMITED TO 15 FEET.

NOTIFICATIONS BY CONTRACTOR

THE CONTRACTOR SHALL NOTIFY THE RESIDENT ENGINEER AND AIRPORT OWNER 5 DAYS IN ADVANCE OF THE CONTRACTOR'S CLOSING OF ACTIVE RUNWAYS, TAXIWAYS AND APRONS. THE DATE, TIME AND SCHEDULED DURATION OF THE CLOSING MUST BE APPROVED BY THE RESIDENT ENGINEER AND THE AIRPORT OWNER. THE CONTRACTOR SHALL NOTIFY THE RESIDENT ENGINEER AND AIRPORT OWNER 72 HOURS IN ADVANCE OF THE CONTRACTOR'S CLOSING OF OTHER ACTIVE ROADWAYS, AIRFIELD OR ROADWAY LIGHTING CIRCUITS, OR OTHER AIRPORT FACILITIES.

CONTRACTOR'S USE OF SITE

THE CONTRACTOR SHALL NOT OPERATE WITHIN, ENCRUCH UPON OR OBSTRUCT AIRPORT OPERATIONAL AREAS, INCLUDING ACTIVE RUNWAY, TAXIWAYS AND APRON SAFETY AREAS, OBJECT AND OBSTACLE FREE ZONES, RUNWAY PROTECTION ZONES AND AIRPORT IMAGINARY SURFACES AS DEFINED IN FEDERAL AVIATION REGULATIONS (FAR) PART 77, "OBJECTS AFFECTING NAVIGABLE AIRSPACE".

THE CONTRACTOR IS RESPONSIBLE FOR RESTORATION OF THE WORK AREA PRIOR TO BEGINNING WORK AT A NEW LOCATION.

UTILITY OUTAGES AND SHUTDOWNS

THE CONTRACTOR SHALL PROVIDE 72 HOURS PRIOR NOTICE OF ANY OUTAGES OR SHUTDOWNS TO THE OWNER AND THE AGENCY OWNING THE AFFECTED UTILITY. THE CONTRACTOR SHALL PROVIDE ANY TEMPORARY CONNECTIONS OR OTHER MEASURES AS MAY BE REQUIRED TO MAINTAIN SERVICE AS MAY BE REQUIRED BY THE OWNING AGENCY AT NO COST TO THE OWNER.

WA059



HANSON PROFESSIONAL SERVICES INC.

815 Commerce Drive, Suite 200
Oak Brook, Illinois 60523
Telephone: 630.990.3800
Fax: 630.990.3801

Illinois Professional Design Firm
Registration No. 184-001084

© Copyright Hanson Professional Service Inc. 2007



WAUKEGAN REGIONAL AIRPORT
WAUKEGAN PORT DISTRICT

3580 North McAree Road
Waukegan, Illinois 60087
Telephone: 847.244.0066
Fax: 847.244.3813

WAUKEGAN REGIONAL AIRPORT
WAUKEGAN, ILLINOIS

REPAIR AND OVERLAY WEST
PORTION OF TAXIWAY A

AIP PROJECT NO. 3-17-0105-B39
IDA PROJECT NO. UGN-3751

No.	Drawing Issue Description	Date	By

Date
JANUARY 11, 2008
Sheet Title

CONSTRUCTION AND SAFETY NOTES AND DETAILS

07A0102	Project Number
LDH	10/30/07
LDH	10/30/07
LDH	10/30/07
RMH	01/08/08
LDH	
LDH	

P:\07\065\00831\07A0102\07A0102\DRAWINGS\SHEETS\04-SAFETY NOTES.DWG APR 11, 2008 8:11AM HAUSCH0062