



HANSON PROFESSIONAL SERVICES INC.

815 Commerce Drive, Suite 200
Oak Brook, Illinois 60523
Telephone: 630.990.3800
Fax: 630.990.3801

Illinois Professional Design Firm
Registration No. 184-001084

© Copyright Hanson Professional Service Inc. 2007



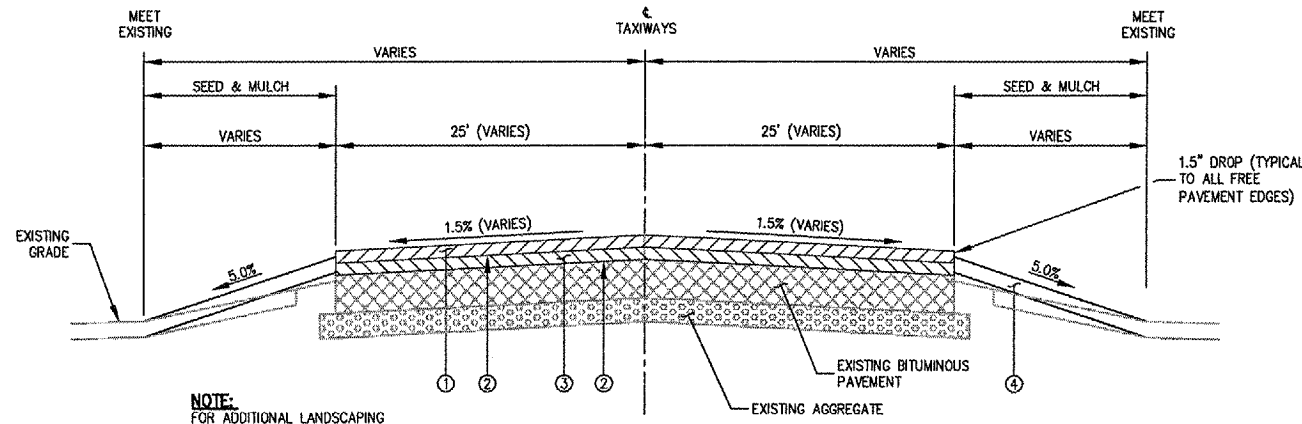
WAUKEGAN REGIONAL AIRPORT
WAUKEGAN PORT DISTRICT

3580 North McAree Road
Waukegan, Illinois 60087
Telephone: 847.244.0066
Fax: 847.244.3813

WAUKEGAN REGIONAL AIRPORT
WAUKEGAN, ILLINOIS

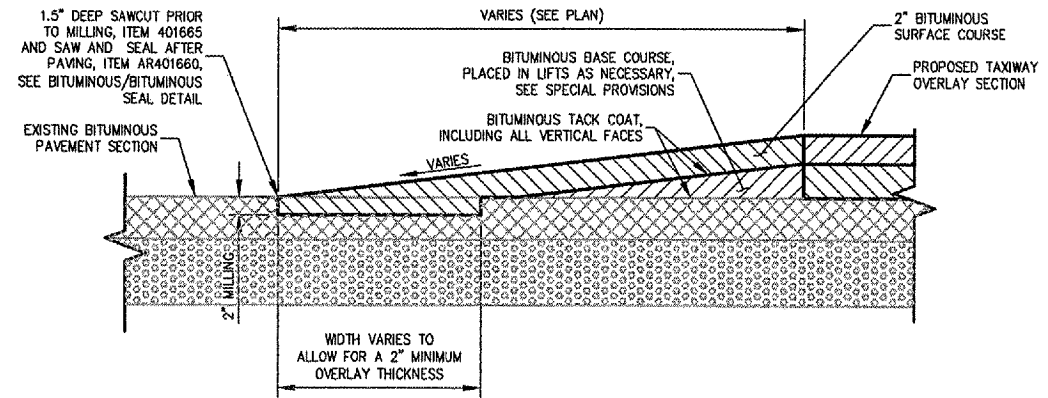
REPAIR AND OVERLAY WEST
PORTION OF TAXIWAY A

AIP PROJECT NO. 3-17-0105-B39
IDA PROJECT NO. UGN-3751



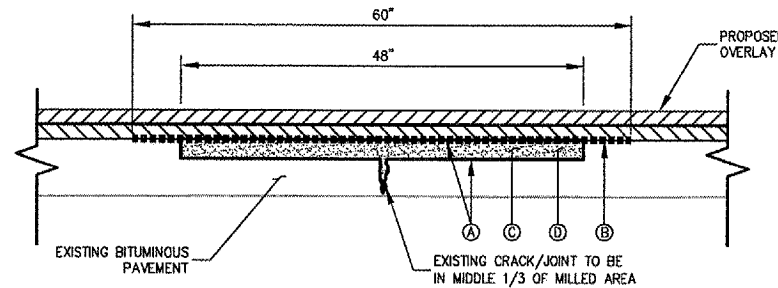
NOTE:
FOR ADDITIONAL LANDSCAPING
INFORMATION, SEE LANDSCAPING PLAN.

TAXIWAY OVERLAY TYPICAL SECTION



BITUMINOUS TAPER DETAIL

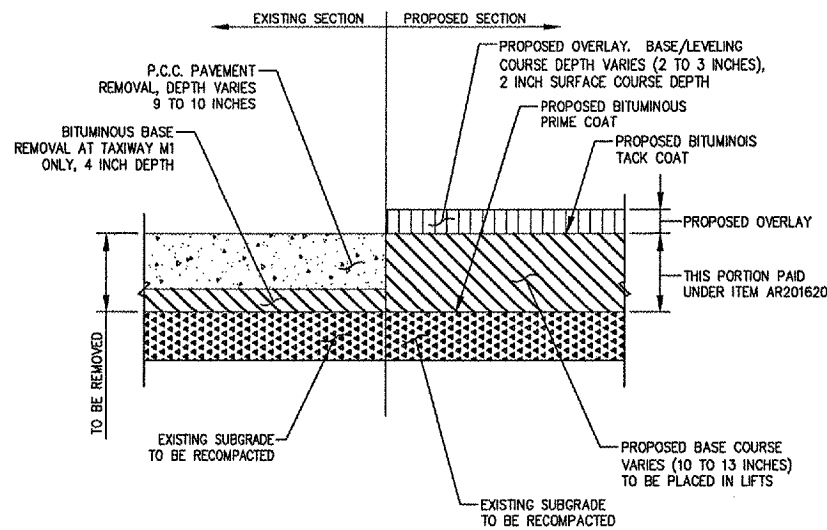
OVERLAY LEGEND	
①	PROPOSED 2 INCH BITUMINOUS SURFACE COURSE, ITEM AR401610.
②	PROPOSED BITUMINOUS TACK COAT, ITEM AR603510.
③	PROPOSED BITUMINOUS BASE LEVELING COURSE (DEPTH VARIES APPROXIMATELY 2\"/>



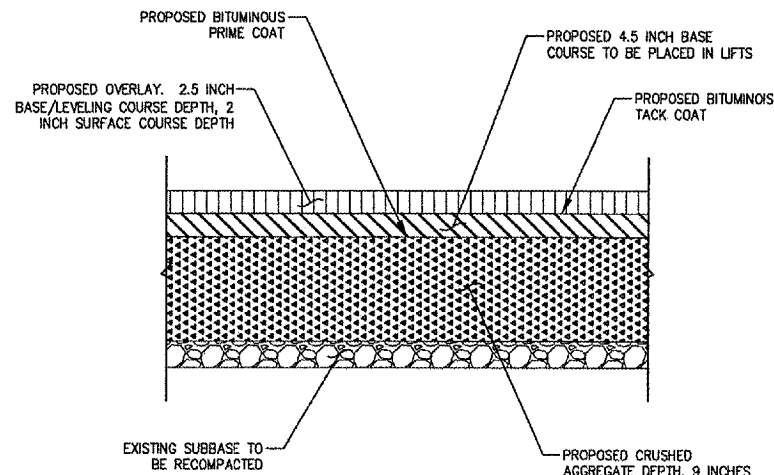
NOTES:

- TACK COAT SHALL BE APPLIED TO MILLED SURFACE OUTSIDE OF CRACK CONTROL MATERIAL.
- MILLING AND BITUMINOUS SAND MIX QUANTITIES BASED ON 48\"/>

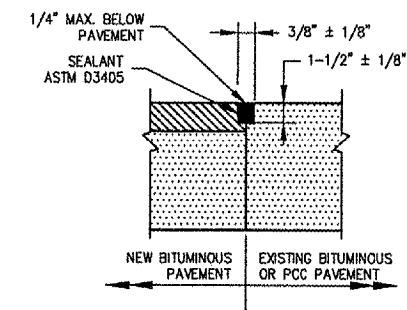
CRACK REPAIR LEGEND	
Ⓐ	PROPOSED BITUMINOUS TACK COAT, ITEM AR603510.
Ⓑ	CRACK CONTROL MATERIAL (60\"/>



P.C.C. PAVEMENT REMOVAL AND BITUMINOUS REPLACEMENT



BITUMINOUS FILLET SECTION



NOTE:

ALL BITUMINOUS/BITUMINOUS AND BITUMINOUS/PCC JOINT SEALING TO BE PAID UNDER SAW AND SEAL BITUMINOUS JOINTS, ITEM AR401660.

BITUMINOUS/BITUMINOUS OR BITUMINOUS/PCC SEAL

No.	Drawing Issue	Description	Date	By

Date
JANUARY 11, 2008
Sheet Title

TYPICAL SECTIONS AND PAVEMENT DETAILS

07A0102	Project Number
LDH	10/30/07
LDH	10/30/07
LDH	01/08/08
LDH	---

DETAILS SHOWN ARE NOT TO SCALE

F:\07-085\0837\07A0102\DRAWINGS\SHEETS\08-TYPICAL SECTIONS & PAVEMENT DETAILS.DWG APR 11, 2008 8:11AM HAUSKODERZ