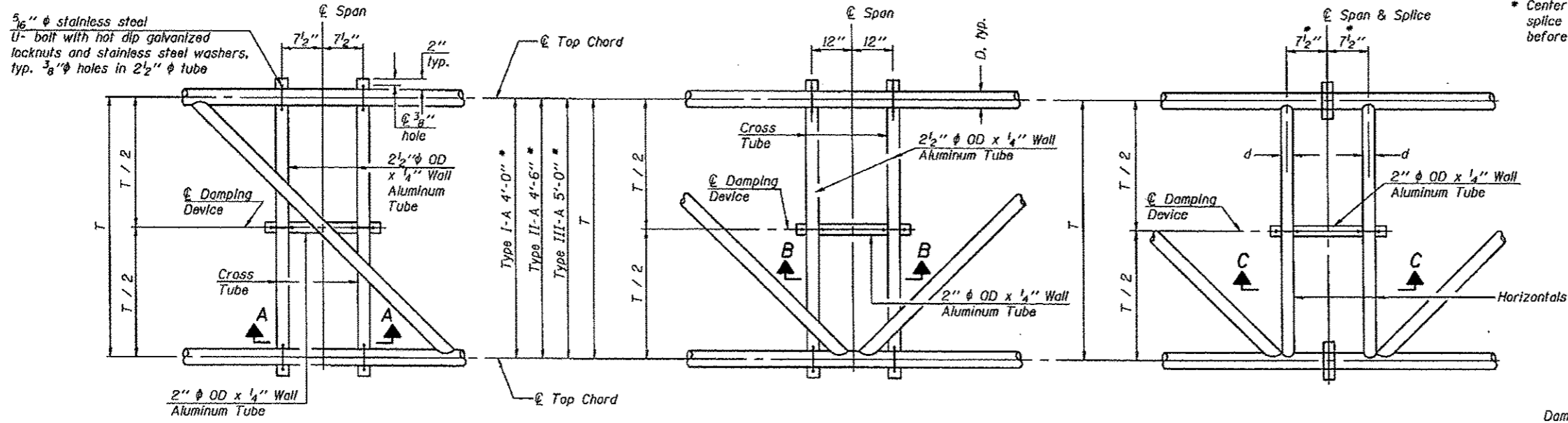


5/16" φ stainless steel U-bolt with hot dip galvanized locknuts and stainless steel washers, typ. 3/8" φ holes in 2 1/2" φ tube



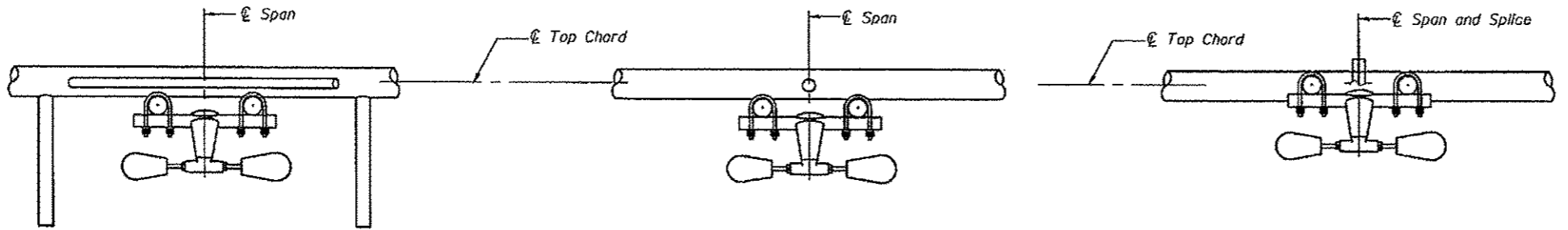
PLAN DETAIL "A"
Span between Panel Points

PLAN DETAIL "B"
Span at Panel Point

PLAN DETAIL "C"
Span at Chord Splice

* Center of horizontal to center of splice dimension may vary. Verify before drilling holes in mounting tube.

NOTES
 Damper: One damper per truss. (31 lbs. minimum Stockbridge-Type Aluminum - 29" minimum between ends of weights) Cost included in Overhead Sign Structure...
 Materials: Materials: Aluminum tubes shall be ASTM B221 alloy 6061 temper T6. Cost included in Overhead Sign Structure...

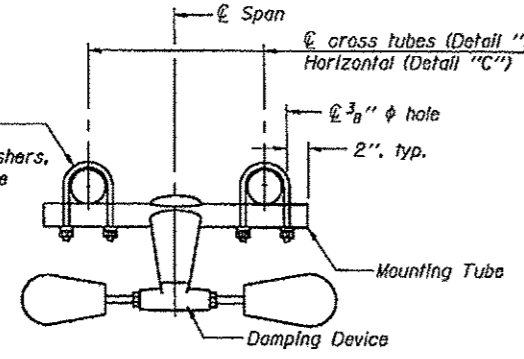


SECTION A-A

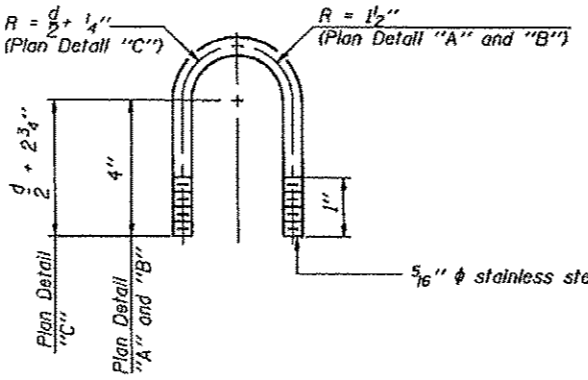
SECTION B-B

SECTION C-C

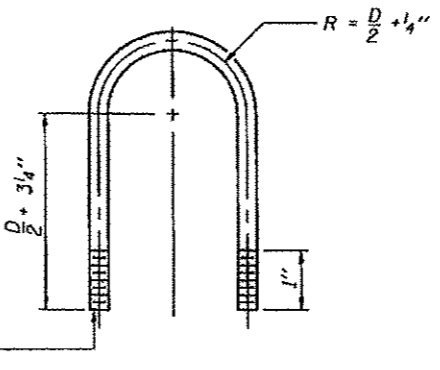
5/16" φ stainless steel U-bolt with hot dip galvanized locknuts and stainless steel washers, typ. 3/8" φ holes in mounting tube



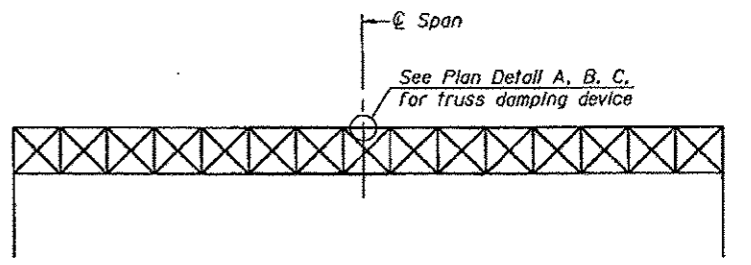
TRUSS DAMPING DEVICE CONNECTION DETAIL
(Typical)



DAMPING DEVICE MOUNTING TUBE U-BOLT DETAIL
(Typical)



TOP CHORD TO CROSS TUBE U-BOLT DETAIL
(Typical - Detail "A" and "B")



ELEVATION
Aluminum Overhead Sign Truss

OS-A-D

6-1-12

FILE NAME =	USER NAME = prstohettl	DESIGNED -	REVISED -
ar\pe-work\pudat\prstohettl\0334584\	sign structure\2813-sht-pin.dgn	DRAWN -	REVISED -
Default	PLOT SCALE = 1/8" = 1'-0"	CHECKED -	REVISED -
	PLOT DATE = 2/20/2013	DATE -	REVISED -

STATE OF ILLINOIS
DEPARTMENT OF TRANSPORTATION

OVERHEAD SIGN STRUCTURE
DAMPING DEVICE

SCALE: SHEET OF SHEETS STA. TO STA.

*VARIOUS ROUTES				
R.A.I. RTE.	SECTION	COUNTY	TOTAL SHEETS	SHEET NO.
*	09 OVD SIN STR REPL13-11	VARIOUS	29	11
			CONTRACT NO. 46227	
ILLINOIS FED. AID PROJECT				