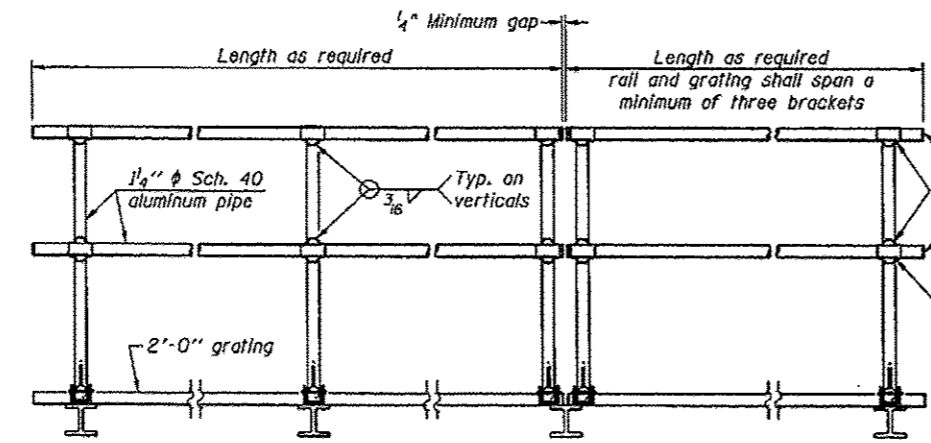


SIDE ELEVATION
(Showing safety chain w/o sign)

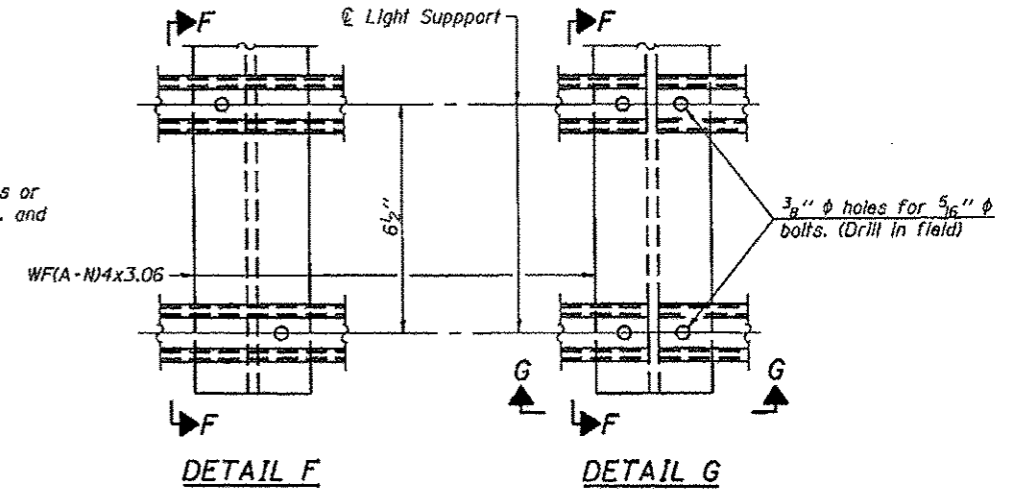


FRONT ELEVATION

HANDRAIL DETAILS

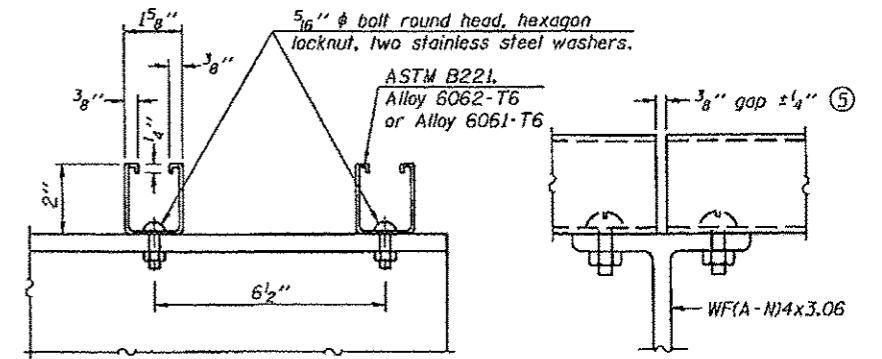
Handrail pipe shall be ASTM B241 or B429, Alloy 6063-T6 or Alloy 6061-T6.

- ① Install standard force-fit end caps or weld 1/8" end plates with 1/8" c.f.w. and grind smooth. (All rail ends)
- ② Horizontal handrail member shall be continuous thru fitting. Provide 7/16" hole in fitting for 3/8" bolt. Field drill 1/16" hole in horizontal rail member. Provide locknut and two stainless steel washers for bolt. (Use 5/16" eyebolts in 7/16" holes on top rail at ends only.)



DETAIL F

DETAIL G

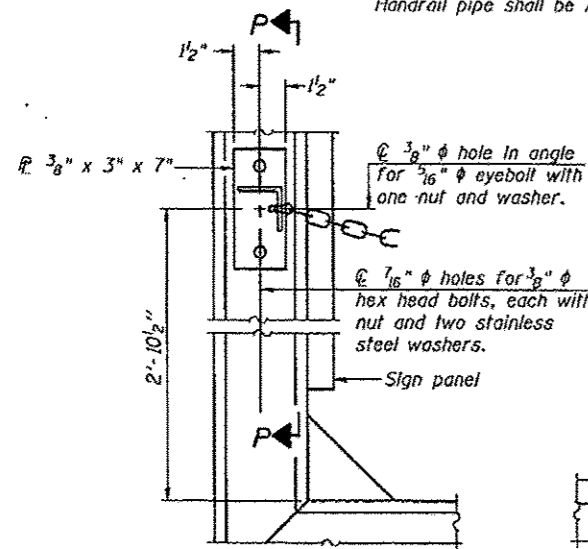


SECTION F-F

SECTION G-G

LIGHTING FIXTURE MOUNTS (IF REQUIRED)

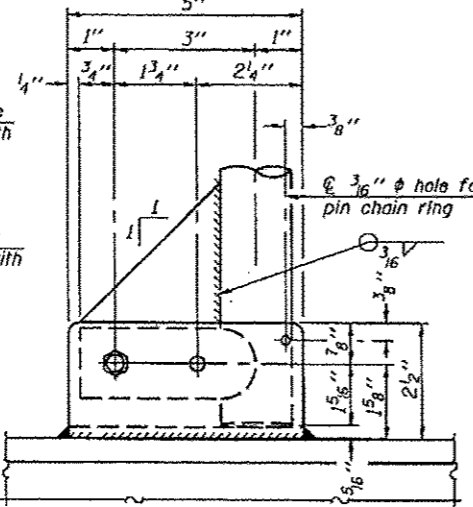
- ⑤ Field cut ends of light support channels shall be free of burrs or hazardous projections and coated with zinc-rich primer or equivalent.



ALTERNATE SAFETY CHAIN ATTACHMENT

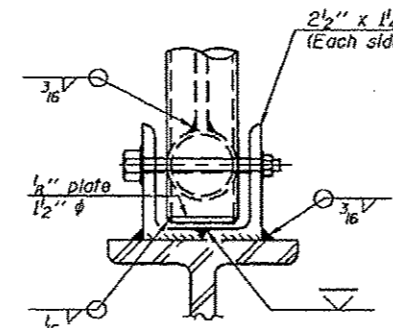
(With Sign Present)

Items not shown same as "Side Elevation" of "Handrail Details"



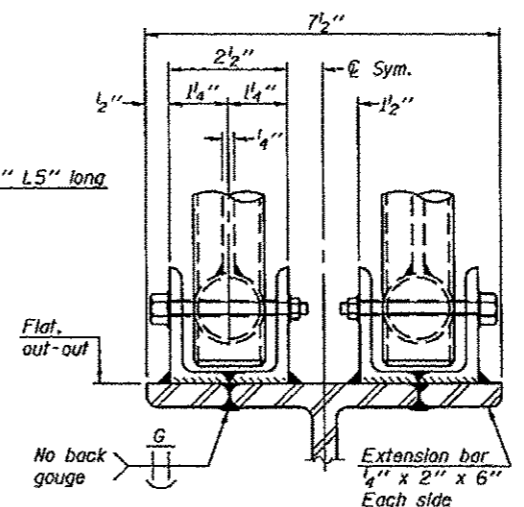
SIDE ELEVATION

**PLAN
DETAIL E HANDRAIL HINGE**

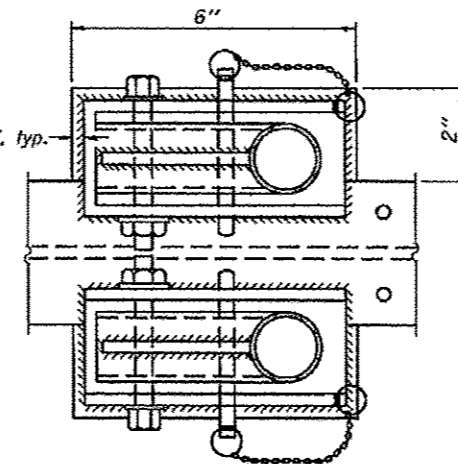


FRONT ELEVATION

See "Elevation" at right for dimensions.

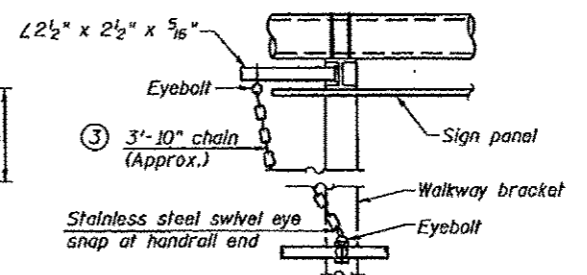


ELEVATION AT HANDRAIL JOINT ④



PLAN AT HANDRAIL JOINT

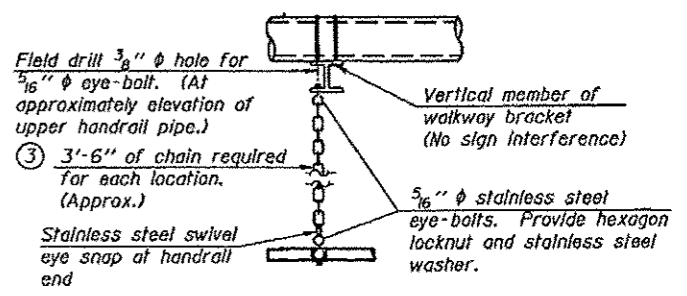
Details not shown same as "PLAN"



ALTERNATE SAFETY CHAIN ATTACHMENT

Details not shown similar to "Safety Chain" Details (Walkway omitted for clarity)

- ③ 3/16" Type 304L stainless steel chain, approximately 12 links per foot.
- ④ Extrusions may be used in lieu of the details shown, with approval of the Engineer.



SAFETY CHAIN

One required for each end of each walkway.

OS-A-II

6-1-12

FILE NAME =	USER NAME = prstohetll	DESIGNED -	REVISED -
en:\pwork\pndot\prstohetll\0334884\	gn_structures2012-shr-ph.dgn	DRAWN -	REVISED -
	PLOT SCALE = 1/8"=1'-0"	CHECKED -	REVISED -
Default	PLOT DATE = 2/28/2013	DATE -	REVISED -

STATE OF ILLINOIS
DEPARTMENT OF TRANSPORTATION

OVERHEAD SIGN STRUCTURES ALUMINUM HANDRAIL DETAILS			
SCALE:	SHEET	OF SHEETS	STA. TO STA.

VARIOUS ROUTES			
F.A.I. RT.	SECTION	COUNTY	TOTAL SHEETS
	09 OVD SIN STA REPL13-11	VARIOUS	29
			SHEET NO. 18
CONTRACT NO. 46227			
ILLINOIS FED. AID PROJECT			