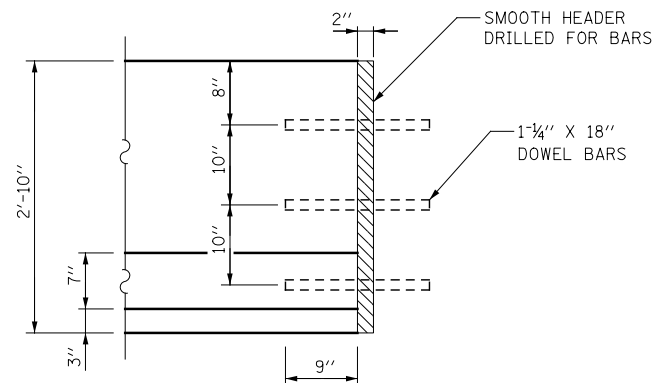
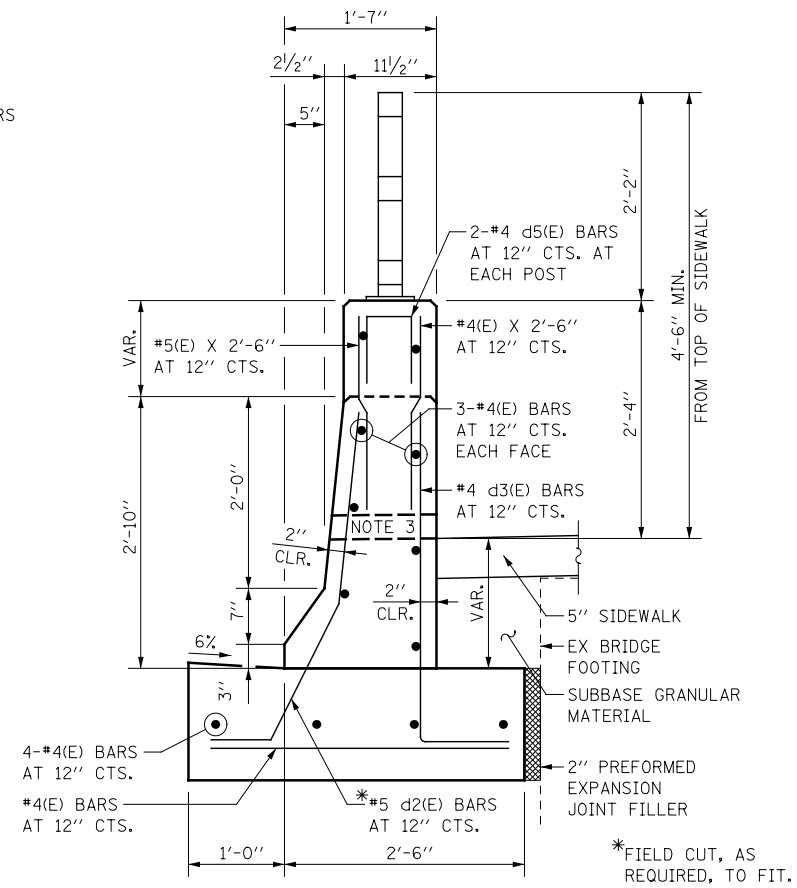


**EXPANSION JOINT DETAIL**



**CONSTRUCTION JOINT DETAIL**



**PARAPET SECTION AT BNSF BRIDGE  
STA 3964 + 17 TO STA 3965 + 21**

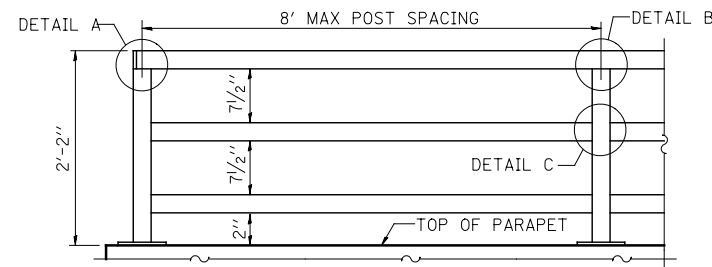
**LIGHT POLE FOUNDATION, SPECIAL**

**BILL OF MATERIALS**

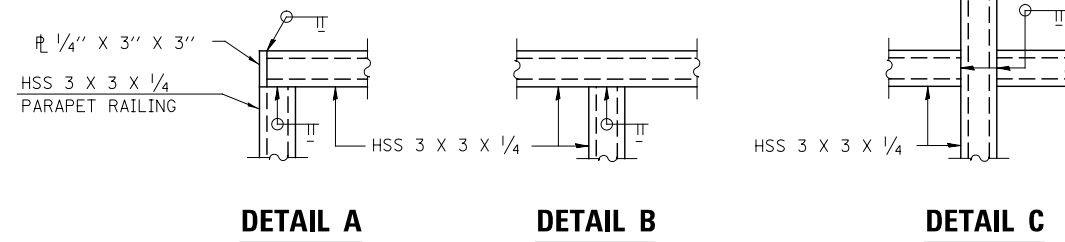
BAR	NO.	SIZE	LENGTH	SHAPE
d(E)	8	#4	8'-6"	—
d1(E)	10	#4	4'-6"	—
d2(E)	10	#5	4'-6"	J
d3(E)	10	#4	4'-4"	L
d4(E)	3	#4	8'-10"	∩
d5(E)	4	#4	2'-1"	□
CONCRETE STRUCTURES			CU YD	3.9
REINFORCEMENT BARS, EPOXY COATED			POUND	180
LIGHT POLE FOUNDATION, 30" DIAMETER			FOOT	7.0

QUANTITIES ARE FOR ONE LIGHT POLE FOUNDATION, AND ARE SHOWN FOR INFORMATION ONLY. COST IS INCLUDED WITH LIGHT POLE FOUNDATION, SPECIAL.

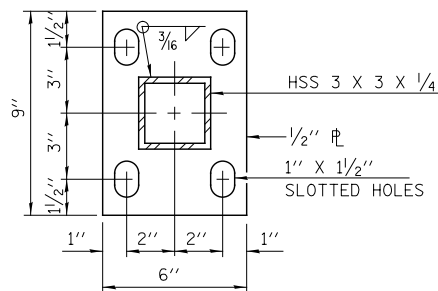
ALL STEEL RAIL ELEMENTS SHALL BE GALVANIZED ACCORDING TO ARTICLE 509.05 OF THE STANDARD SPECIFICATIONS.



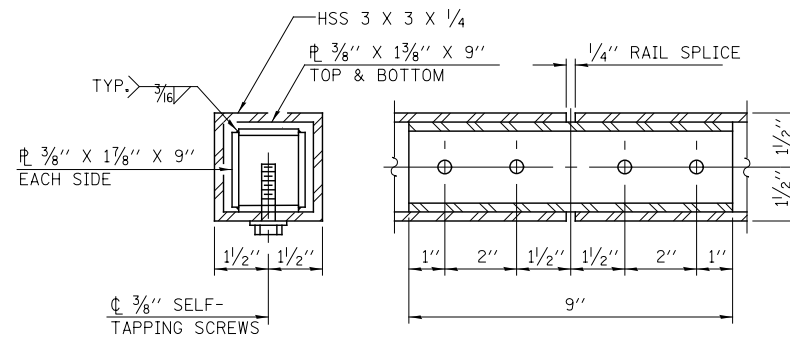
**PARAPET RAILING ELEVATION  
(INSIDE FACE OF THREE ELEMENT RAIL)**



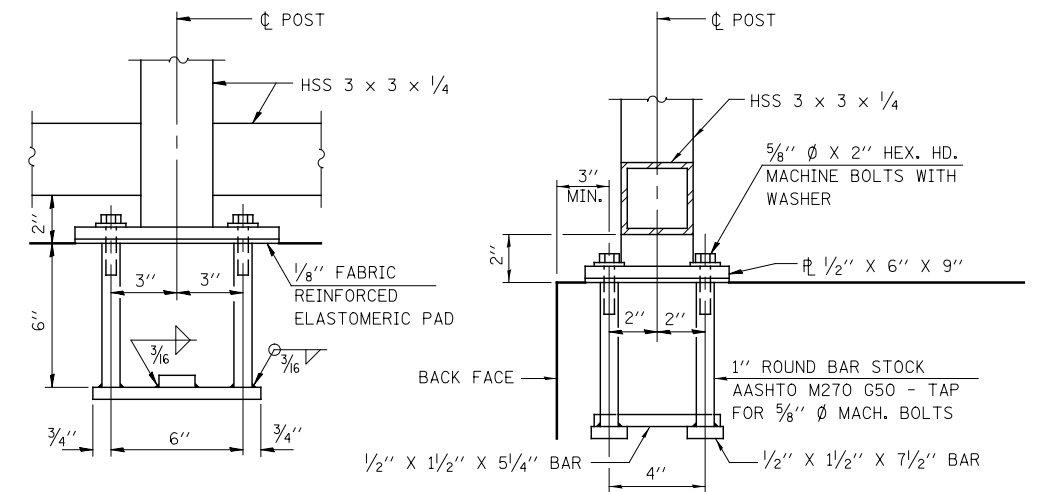
**DETAIL A      DETAIL B      DETAIL C**



**BASE PL**



**RAIL SPLICE**



**ANCHOR BOLT DETAILS**

IN LIEU OF THE CAST-IN-PLACE ANCHOR DEVICE SHOWN, THE CONTRACTOR HAS THE OPTION OF DRILLING AND SETTING 5/8" Ø ANCHOR RODS ACCORDING TO ARTICLE 509.06 OF THE STANDARD SPECIFICATIONS. EMBEDMENT SHALL BE ACCORDING TO THE MANUFACTURER'S SPECIFICATIONS.

**BILL OF MATERIALS**

ITEM	UNIT	QUANTITY
PARAPET RAILING	FOOT	656
CONCRETE BARRIER BASE	FOOT	650
CONCRETE BARRIER WALL (SPECIAL)	FOOT	650
LIGHT POLE FOUNDATION, SPECIAL	EACH	1

DESIGNED	PJO	REVISED	-
DRAWN	KES	REVISED	-
CHECKED	JCM	REVISED	-
DATE	12/14/2012	REVISED	-

**STATE OF ILLINOIS  
DEPARTMENT OF TRANSPORTATION**

ROADWAY DETAILS	
<b>SINGLE FACE CONCRETE BARRIER WALL WITH PARAPET RAILING DETAILS</b>	
SCALE: AS SHOWN	SHEET NO. 2 OF 2 SHEETS
STA.	TO STA.

F.A.P. RTE.	SECTION	COUNTY	TOTAL SHEETS	SHEET NO.
338	(112 & 113) WRS-7	DUPAGE	1156	318
<b>DT-02</b>			CONTRACT NO. 60R30	
ILLINOIS FED. AID PROJECT				