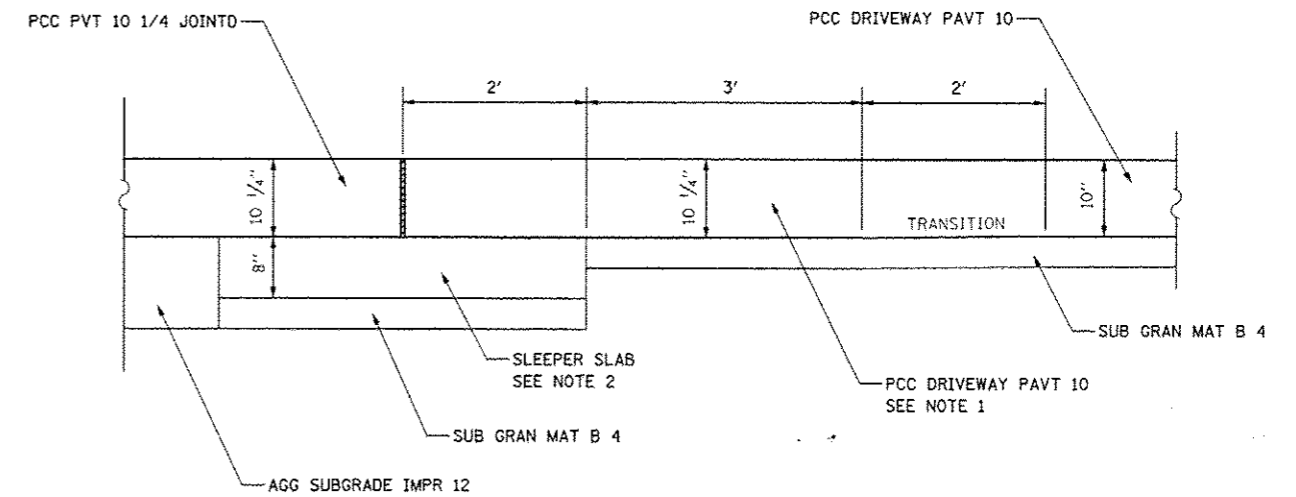


**COMBINATION CONCRETE CURB AND GUTTER
REMOVAL AND REPLACEMENT DETAIL**

NOTES:

1. THIS WORK WILL BE INCLUDED IN THE CONTRACT UNIT PRICE FOR COMBINATION CURB AND GUTTER REMOVAL (SPECIAL).
2. CURB AND GUTTER REPLACEMENT SHALL MATCH THE SHAPE OF THE EXISTING CURB AND GUTTER UNLESS OTHERWISE SPECIFIED BY THE ENGINEER.
3. THE HMA SURFACE SHALL BE PAVED 1/4" HIGHER THAN THE EDGE OF THE PROPOSED GUTTER.
4. THE EXISTING PAVEMENT SHALL BE SAW CUT TO THE FULL DEPTH OF THE PAVEMENT 2' FROM THE EDGE OF EXISTING CURB AND GUTTER TO BE REMOVED AND REPLACED. THE REMOVAL OF THE EXISTING PAVEMENT AND THE FULL DEPTH SAW CUT SHALL BE INCLUDED IN THE CONTRACT UNIT COST FOR COMBINATION CURB AND GUTTER REMOVAL (SPECIAL).
5. THE THICKNESS OF THE SUBBASE GRANULAR MATERIAL, TYPE B SHALL BE INCREASED IF DIRECTED BY THE ENGINEER. REMOVAL AND REPLACEMENT IN EXCESS OF THE SPECIFIED 4" WILL BE PAID FOR IN ACCORDANCE WITH ARTICLE 109.04 OF THE STANDARD SPECIFICATIONS.
6. LONGITUDINAL BARS, IF ENCOUNTERED IN THE EXISTING CURB AND GUTTER, ARE NOT TO BE REPLACED. CUTTING AND REMOVING LONGITUDINAL BARS SHALL BE INCLUDED IN THE CONTRACT UNIT COST FOR COMBINATION CURB AND GUTTER REMOVAL (SPECIAL).
7. THE REMOVAL OF THE EXISTING COMBINATION CONCRETE CURB AND GUTTER SHALL BE INCLUDED IN THE CONTRACT UNIT COST FOR COMBINATION CURB AND GUTTER REMOVAL (SPECIAL).
8. THE REMOVAL AND REPLACEMENT OF THE EXISTING CURB AND GUTTER AND EXISTING PAVEMENT SHALL BE DONE IN ACCORDANCE WITH THE APPLICABLE PORTIONS OF SECTION 311, 406, 440, AND 606 OF THE STANDARD SPECIFICATIONS.
9. THE LOCATIONS OF REMOVAL AND REPLACEMENT OF EXISTING CURB AND GUTTER SHALL BE SHOWN ON THE PLANS OR AS DIRECTED BY THE ENGINEER.
10. IF EXISTING BASE COURSE IS CONCRETE, TIE BARS WILL BE INCLUDED AS SHOWN.



**SLEEPER SLAB DETAIL AT DRIVEWAYS
AND MINOR INTERSECTIONS**

NOTES:

1. THE INCREASED PAVEMENT THICKNESS IN THIS AREA SHALL BE INCLUDED IN THE COST FOR PORTLAND CEMENT CONCRETE DRIVEWAY PAVEMENT 10 INCH.
2. REFER TO IDOT DISTRICT 1 DETAIL BD-52 FOR MORE INFORMATION ON THE SLEEPER SLAB.

DESIGNED <i>PJO</i>	REVISED - ADDENDUM A 02/20/2013	STATE OF ILLINOIS DEPARTMENT OF TRANSPORTATION	ROADWAY DETAILS		F.A.P. RTEL.	SECTION	COUNTY	TOTAL SHEETS	SHEET NO.	
DRAWN <i>KES</i>	REVISED -				338	(112 & 113) WRS-7	DUPAGE	1156	319	
CHECKED <i>JCM</i>	REVISED -				DT-04		CONTRACT NO. 60R30			
DATE <i>12/14/2012</i>	REVISED -				ILLINOIS FED. AID PROJECT					
		SCALE: AS SHOWN SHEET NO. 1 OF 1 SHEETS STA. TO STA.								