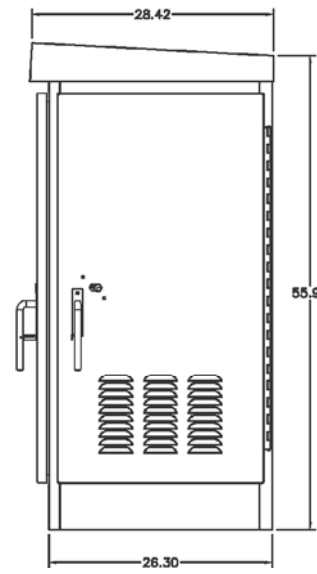
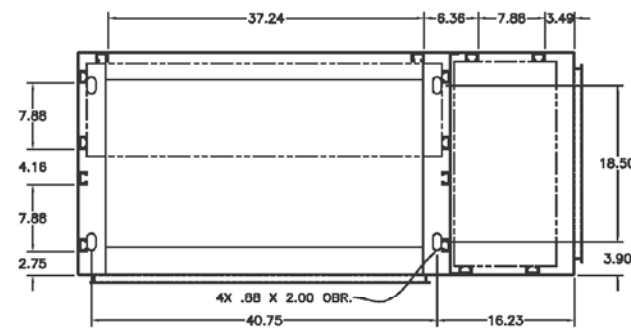


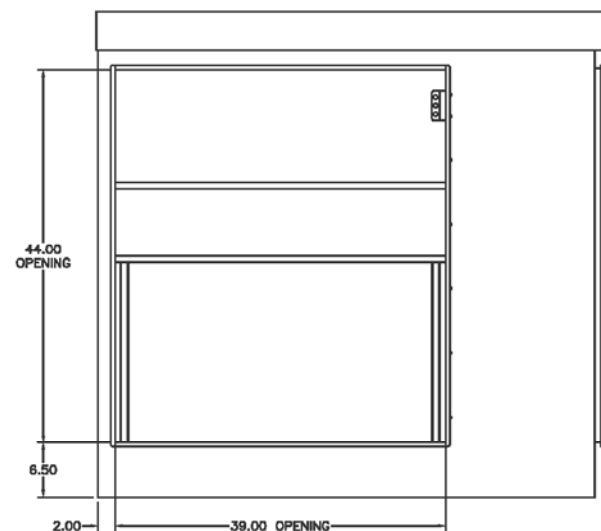
FRONT VIEW



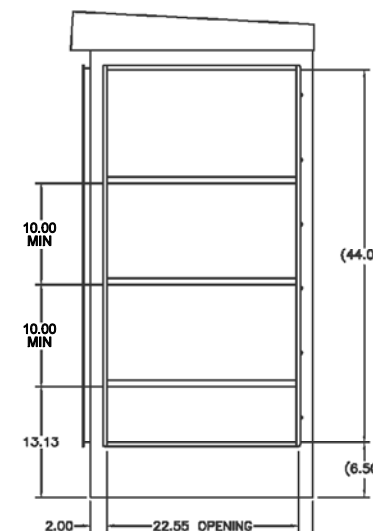
SIDE VIEW



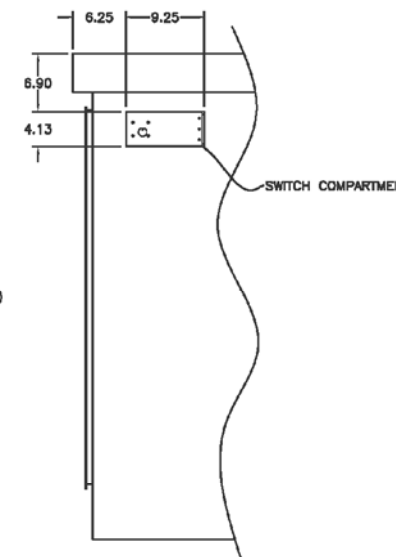
SECTION A-A
DOORS REMOVED FOR CLARITY



FRONT VIEW
LESS DOOR



SIDE VIEW
LESS DOOR



REAR VIEW
PARTIAL

SUPER P TRAFFIC SIGNAL CABINET, TYPE IV, SPECIAL

58.6" W x 57.4" H x 26.3" D
(DIMENSIONS SHOWN IN INCHES)

FILE NAME =	USER NAME = \$USER*	DESIGNED <i>PJO</i>	REVISED -
\$FILEL\$		DRAWN <i>KES</i>	REVISED -
		CHECKED <i>JCM</i>	REVISED -
		DATE <i>08/10/2012</i>	REVISED -

**STATE OF ILLINOIS
DEPARTMENT OF TRANSPORTATION**

**TRAFFIC SIGNAL CABINET DETAILS
ILLINOIS ROUTE 59**

SCALE: NTS SHEET NO. 1 OF 1 SHEETS STA. TO STA.

F.A.P. RTE.	SECTION	COUNTY	TOTAL SHEETS	SHEET NO.
338	(112 & 113) WRS-7	DUPAGE	1156	685
TS-93			CONTRACT NO. 60R30	
ILLINOIS FED. AID PROJECT				