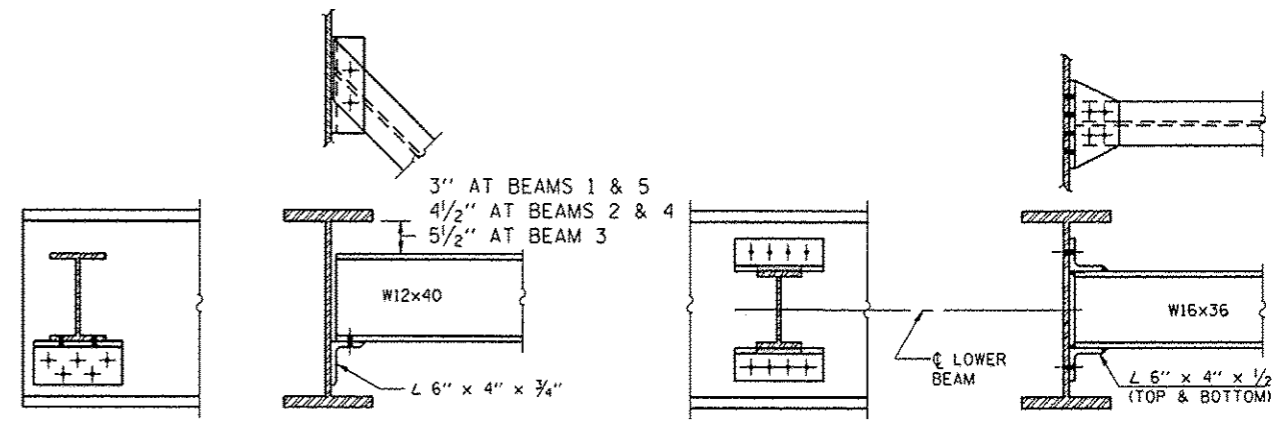
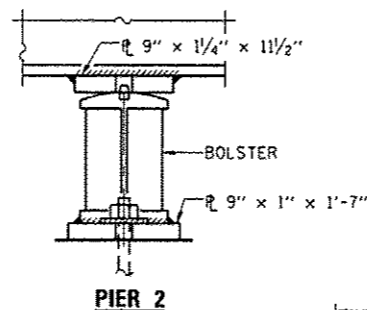
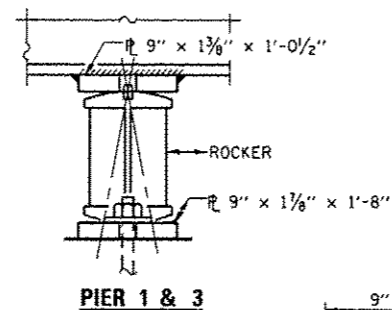
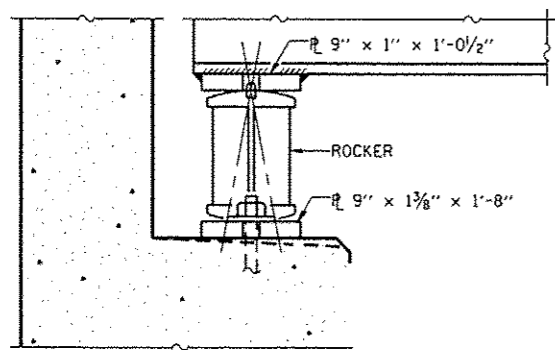


FRAMING PLAN



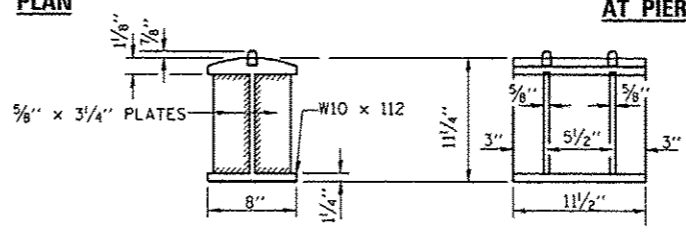
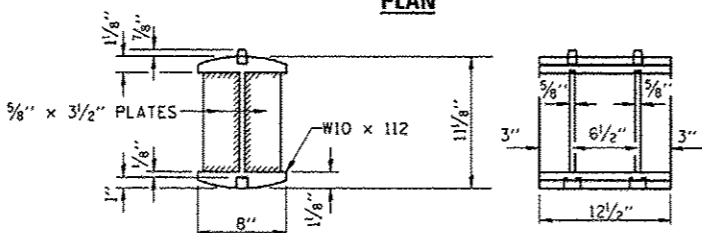
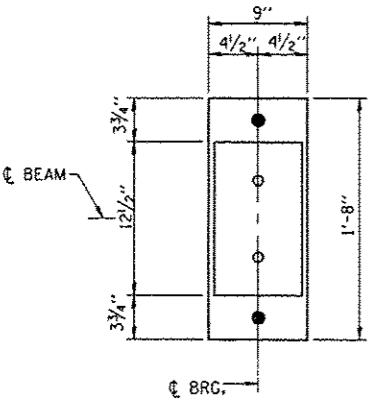
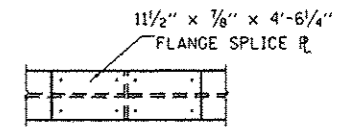
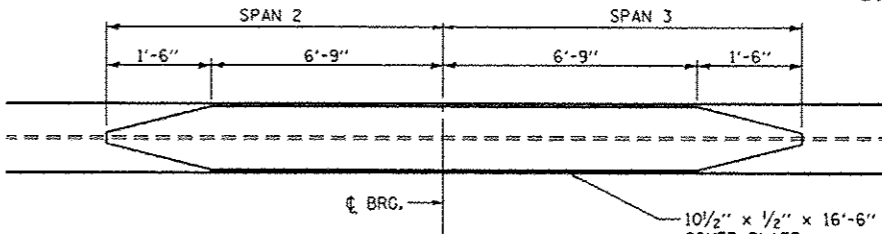
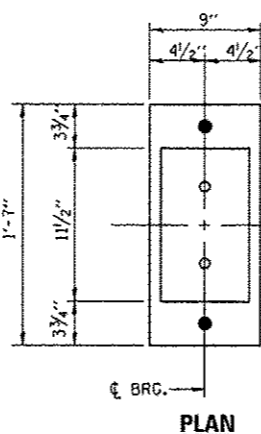
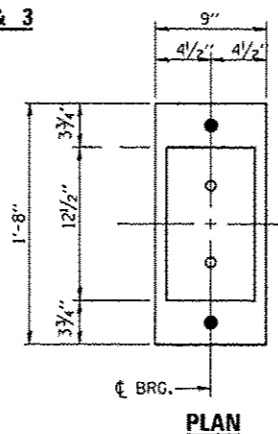
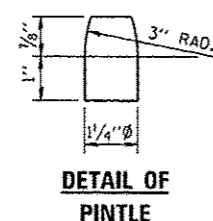
SECTION AT ABUTMENT

PIER 1 & 3

PIER 2

DIAPHRAGMS D

DIAPHRAGMS D1 & D2



PLAN

DETAIL OF ROCKER AT ABUTS, PIERS 1 & 3

DETAIL OF BOLSTER AT PIER 2

DETAIL OF SPLICE

"FOR INFORMATION ONLY"

| | | | | | | | | | | | | |
|-------------|---------------------------|-----------------|-----------|---|--|---------------------|------------------|--------------------|---------------|---------------------------|-------------|--|
| FILE NAME * | USER NAME = apurlockd | DESIGNED - DBS | REVISED - | STATE OF ILLINOIS DEPARTMENT OF TRANSPORTATION | STRUCTURAL STEEL DETAILS FOR STRUCTURE NO. 006-0129 | | F.A.I. R.T.E. 80 | SECTION 106-THBIBP | COUNTY BUREAU | TOTAL SHEETS 9 | SHEET NO. 8 | |
| Default | PLOT SCALE = 1/8" = 1'-0" | DRAWN - DBS | REVISED - | | SCALE: NONE | SHEET 2 OF 3 SHEETS | STA. TO STA. | CONTRACT NO. 66C87 | | ILLINOIS FEO. AID PROJECT | | |
| | PLOT DATE = 3/26/2013 | CHECKED - | REVISED - | | | | | | | | | |
| | | DATE - MAR 2013 | REVISED - | | | | | | | | | |