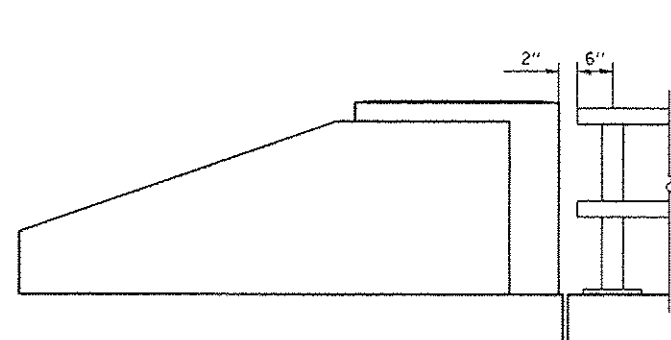
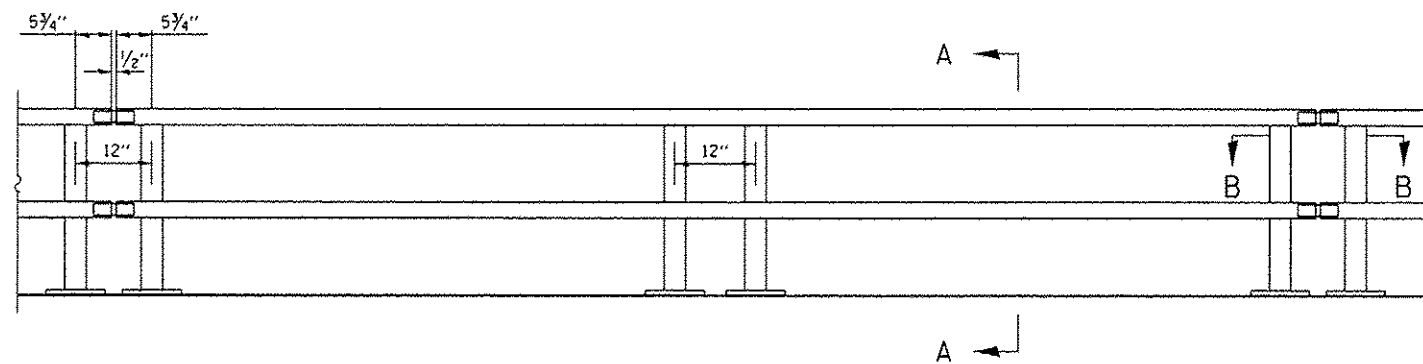


### ELEVATION OF HANDRAILS

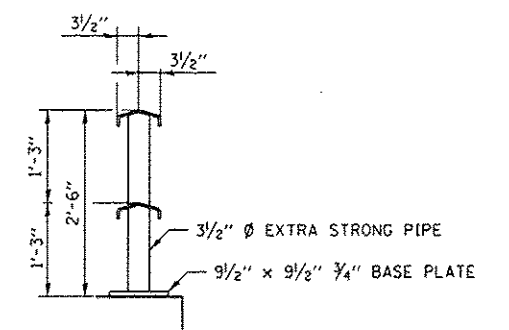
(WEST RAIL LOOKING EAST - EAST RAIL OPPOSITE)



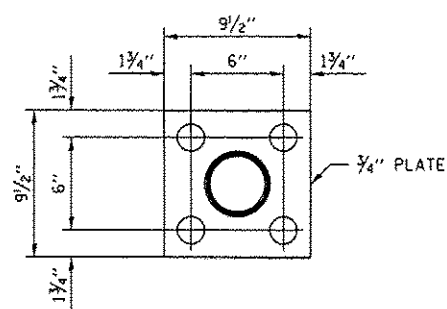
### ELEVATION END POST



### ELEVATION TYPICAL PANEL

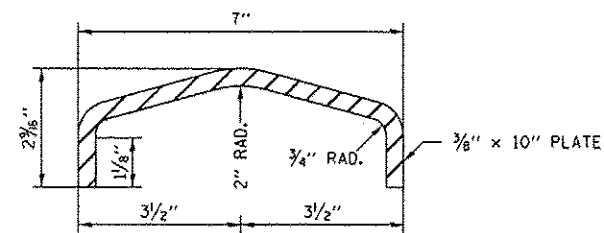


### SECTION A-A

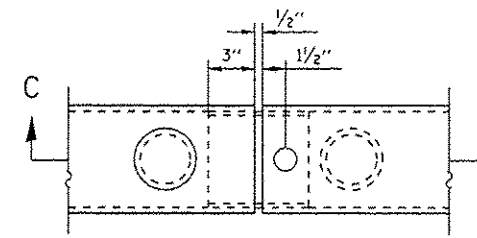


### BASE PLATE

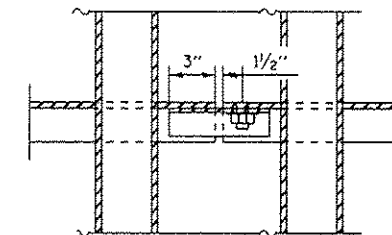
ALL POST - SUPERSTRUCTURE



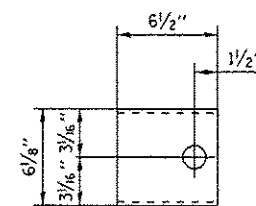
### DETAIL OF RAIL



### SECTION B-B

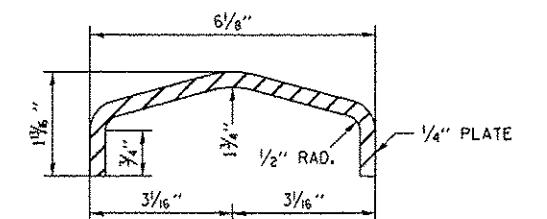


### SECTION C-C



### PLAN

(CONNECTING PLATE)



### DETAIL OF CONNECTING PLATE

**"FOR INFORMATION ONLY"**

FILE NAME =	USER NAME = nparlookd	DESIGNED - DBS	REVISED -	STATE OF ILLINOIS DEPARTMENT OF TRANSPORTATION	STEEL RAILING FOR STRUCTURE NO. 006-0127		F.A.I. RTE. =	SECTION	COUNTY	TOTAL SHEETS	SHEET NO.
c:\pwwork\pwwork\spurlookd\03335437\03	6C88-shr-details.dgn	DRAWN - DBS	REVISED -		80	106-6HB-1BP	BUREAU	9	9		
Default	PLOT SCALE = 100.0000 ' / in.	CHECKED -	REVISED -		SCALE: NONE	SHEET 1 OF 1 SHEETS	STA. TO STA.	CONTRACT NO. 66C88			
	PLOT DATE = 3/26/2013	DATE - MAR 2013	REVISED -		ILLINOIS FED. AID PROJECT						