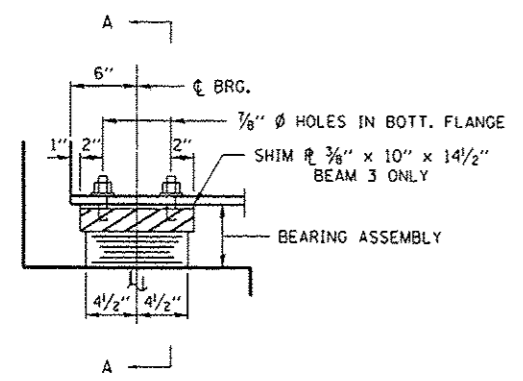
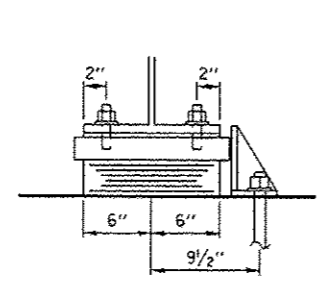


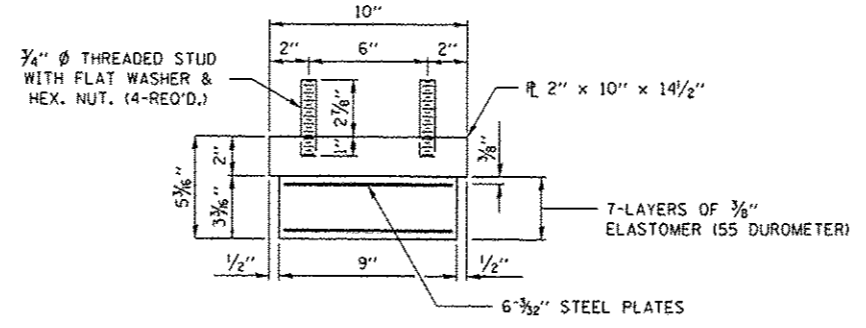
FRAMING PLAN



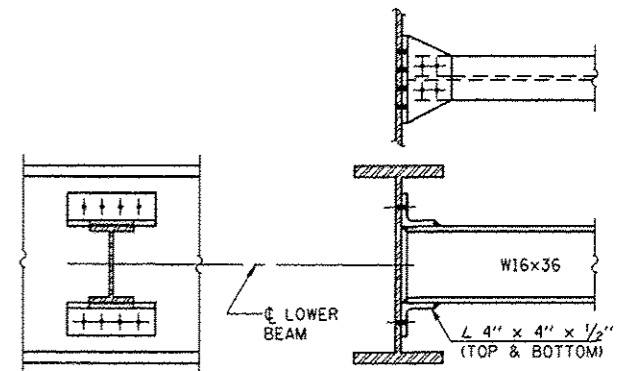
SECTION AT ABUTS.



SECTION A-A

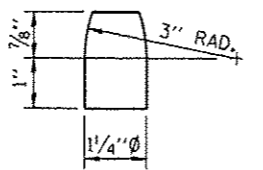


BEARING ASSEMBLY

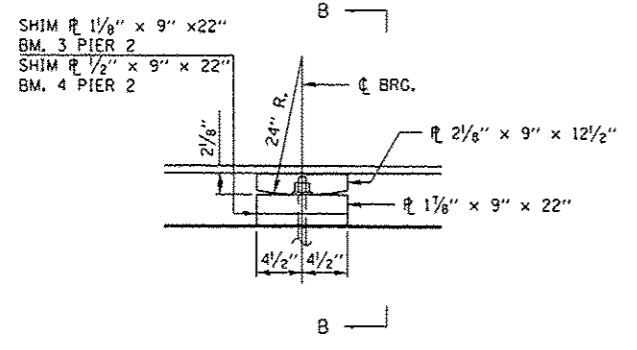


DIAPHRAGMS D1 & D2
27 D, REQUIRED

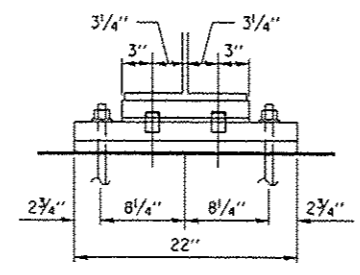
TYPE I ELASTOMERIC EXP. BRG.



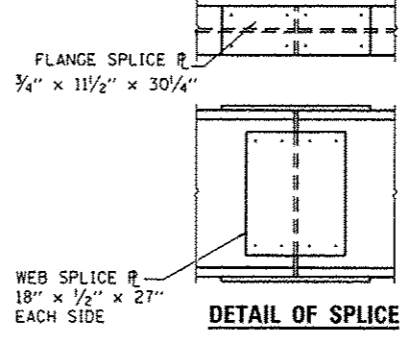
PINTLE



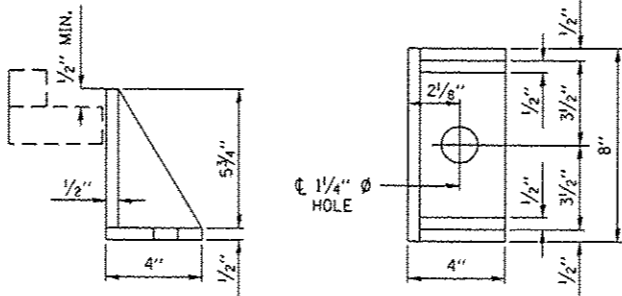
ELEVATION AT PIERS



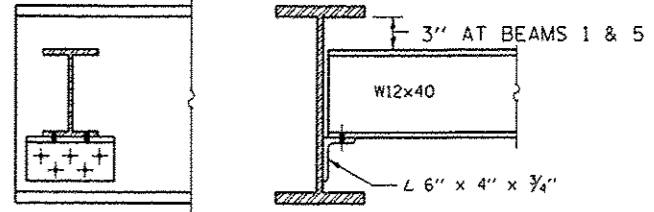
SECTION B-B



DETAIL OF SPLICE



SIDE RETAINER



DIAPHRAGMS D
6 REQUIRED

FIXED BEARING

"FOR INFORMATION ONLY"

FILE NAME : c:\pwwork\pwwork\spurlack\d0033641\03666666-1\03666666-1.dgn	USER NAME : spurlack	DESIGNED - DBS	REVISED -	STATE OF ILLINOIS DEPARTMENT OF TRANSPORTATION	STRUCTURAL STEEL DETAILS FOR SN. 006-0137		F.A.S. RTE. 2247	SECTION (13C-BRIBP)	COUNTY BUREAU	TOTAL SHEETS 8	SHEET NO. 8	
PLOT SCALE : 100.0000 / in.	PLOT DATE : 3/26/2013	DRAWN - DBS	REVISED -		SCALE: NONE	SHEET 2 OF 2 SHEETS	STA. TO STA.	CONTRACT NO. 66C90				
CHECKED -	DATE - MAR 2013	REVISIONS			ILLINOIS FED. AID PROJECT							
Default												