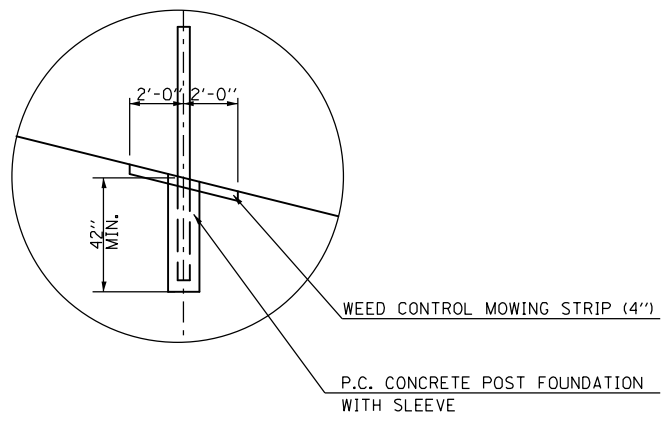


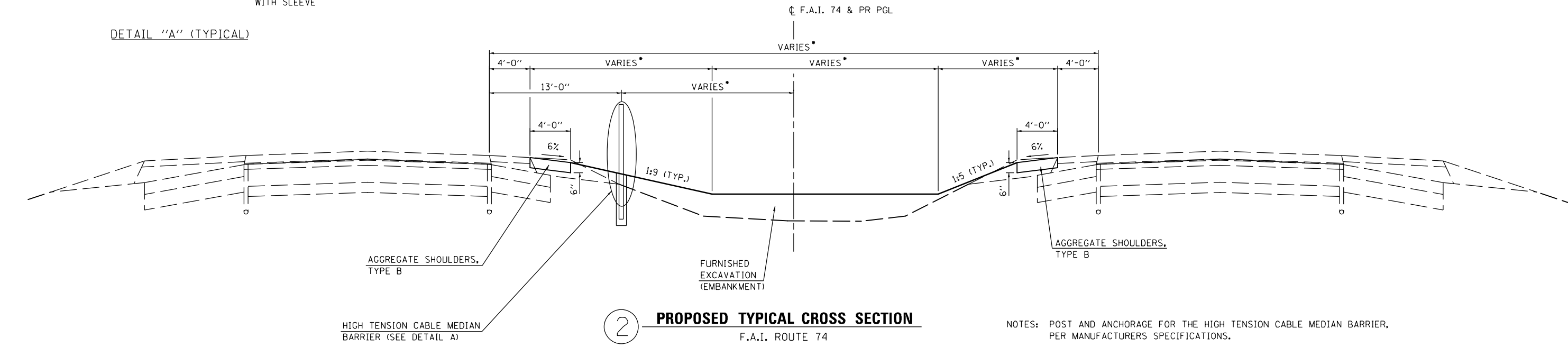
① **PROPOSED TYPICAL CROSS SECTION**
F.A.I. ROUTE 74

STA. 1743+10.00 TO STA. 1767+15.00 ②

- NOTES: POST AND ANCHORAGE FOR THE HIGH TENSION CABLE MEDIAN BARRIER, PER MANUFACTURERS SPECIFICATIONS.
- TRANSITION BOTTOM DITCH CROSS SLOPE FROM 0% TO 1% BEGINNING 25'± FROM INLETS TO PROMOTE DRAINAGE INTO INLET.
- MEDIAN WIDTH VARIES 70' TO 40' STA. 1743+10± TO STA. 1800+60.87±
- STATION EQUATIONS:
STA. 1765+38.22 BK = STA. 1765+38.85 AH



DETAIL "A" (TYPICAL)



② **PROPOSED TYPICAL CROSS SECTION**
F.A.I. ROUTE 74

① STA. 1767+15.00 TO STA. 1784+00.00 ③

- NOTES: POST AND ANCHORAGE FOR THE HIGH TENSION CABLE MEDIAN BARRIER, PER MANUFACTURERS SPECIFICATIONS.
- TRANSITION BOTTOM DITCH CROSS SLOPE FROM 0% TO 1% BEGINNING 25'± FROM INLETS TO PROMOTE DRAINAGE INTO INLET.
- MEDIAN WIDTH VARIES 70' TO 40' STA. 1743+10± TO STA. 1800+60.87±

F:\Projects\DOT PROJECTS\10-006-5\Drawings\CADD Sheets\0570000-008-013-typical.dgn

USER NAME = Richard Heinke	DESIGNED - JAH	REVISED -
DRAWN - RNH	REVISED -	
PLOT SCALE = 10.0000' / 1" =	CHECKED - TMM	REVISED -
PLOT DATE = 3/7/2013	DATE -	REVISED -

F.A.I. RTE.	SECTION	COUNTY	TOTAL SHEETS	SHEET NO.
74	MEDIAN CABLE 2013-1	CHAMPAIGN	119	9
CONTRACT NO. 70A00				
ILLINOIS FED. AID PROJECT				