

HIGH TENSION CABLE MEDIAN BARRIER (SEE DETAIL A)

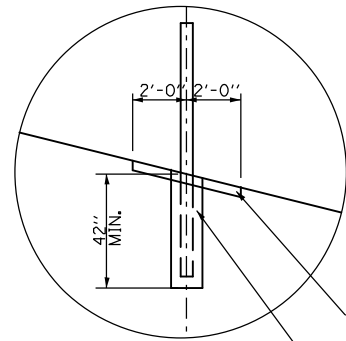
4 PROPOSED TYPICAL CROSS SECTION
F.A.I. ROUTE 74

③ STA. 1800+61.38 TO STA. 1823+70.00
⑤ STA. 1857+70.00 TO STA. 1036+75.00

NOTE: POST AND ANCHORAGE FOR THE HIGH TENSION CABLE MEDIAN BARRIER, PER MANUFACTURERS SPECIFICATIONS.

•• EXISTING SHOULDER WIDTH TRANSITIONS FROM 4' TO 6' STA. 1035+05.17 TO STA. 1036+75.00. COMBINED PAVED SHOULDER AND AGGREGATE SHOULDER WIDTH IS 8' THROUGHOUT.

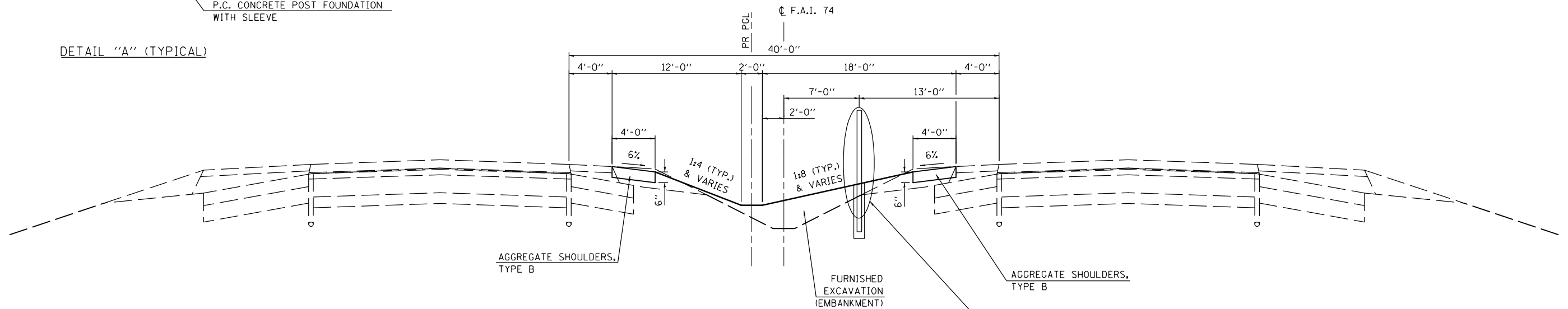
STATION EQUATIONS:
STA. 1800+60.87 BK = STA. 1800+61.38 AH
STA. 1870+24.62 BK = STA. 1035+05.17 AH



WEED CONTROL MOWING STRIP (4")

P.C. CONCRETE POST FOUNDATION WITH SLEEVE

DETAIL "A" (TYPICAL)



AGGREGATE SHOULDERS, TYPE B

5 PROPOSED TYPICAL CROSS SECTION
F.A.I. ROUTE 74

④ STA. 1824+30.00 TO STA. 1857+00.00

NOTE: POST AND ANCHORAGE FOR THE HIGH TENSION CABLE MEDIAN BARRIER, PER MANUFACTURERS SPECIFICATIONS.

STATION EQUATIONS:
STA. 1845+92.22 BK = STA. 1845+93.65 AH

F:\Projects\DOT PROJECTS\10-006-5\Drawings\CADD Sheets\0570400-008-013-typrcal.dgn

USER NAME = Richard Heinke	DESIGNED - JAH	REVISED -
DRAWN - RNH	REVISED -	
PLOT SCALE = 10.0000' / in.	CHECKED - TMM	REVISED -
PLOT DATE = 3/7/2013	DATE -	REVISED -

F.A.I. RTE.	SECTION	COUNTY	TOTAL SHEETS	SHEET NO.
74	MEDIAN CABLE 2013-1	CHAMPAIGN	119	11
CONTRACT NO. 70A00			ILLINOIS FED. AID PROJECT	