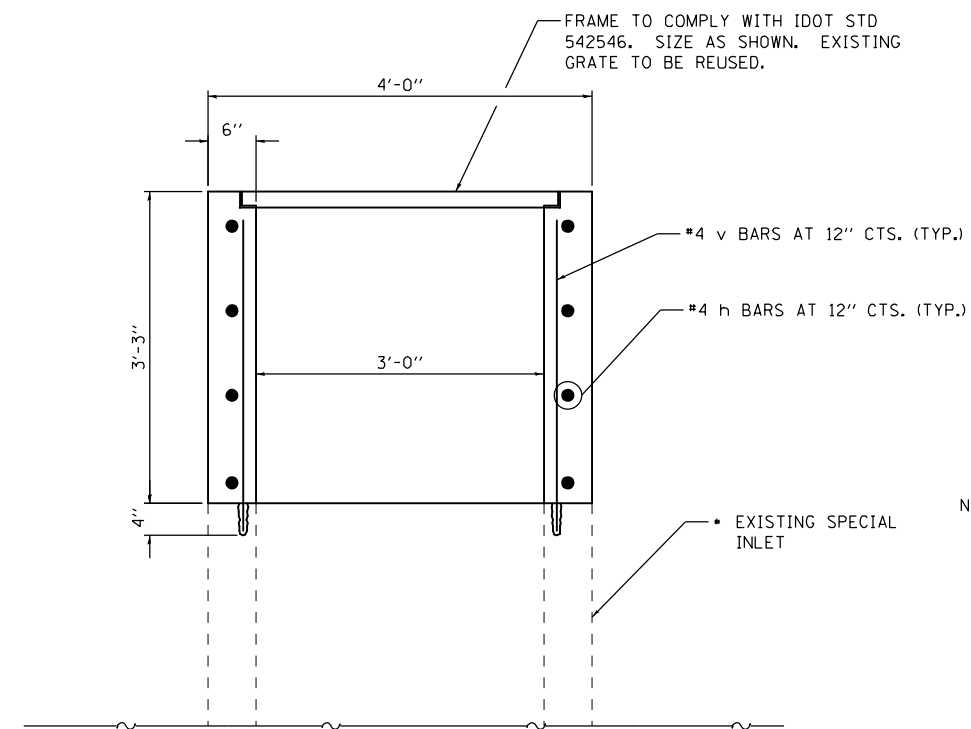
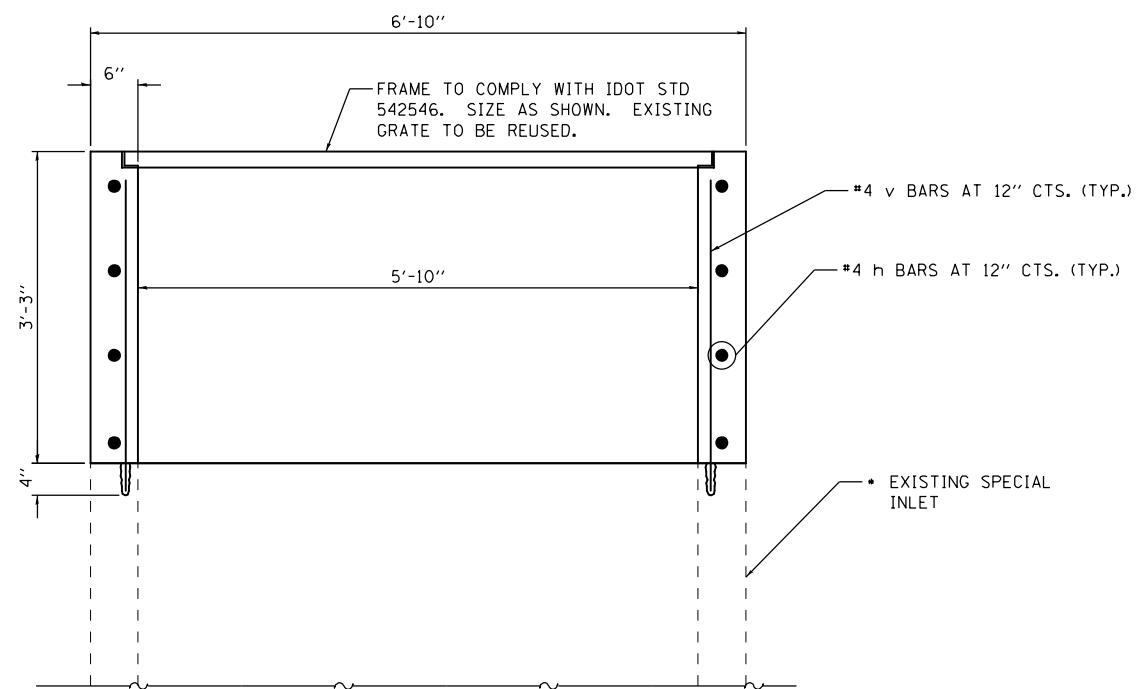


BAR h₁



BILL OF MATERIAL

BAR	NO.	SIZE	LENGTH	SHAPE
h ₁	8	#4	13'-5"	□
v ₁	22	#4	2'-11"	—
CONCRETE STRUCTURES			CU. YD.	1.2
REINFORCEMENT BARS, EPOXY COATED			POUND	120

- REMOVE TOP 16" OF EXISTING INLET BOX AND PLACE PROPOSED INLET EXTENSION OVER EXISTING OPENING.

NOTE: FRAME INCLUDED IN COST OF "INLETS TO BE RECONSTRUCTED".

F:\Projects\DOT PROJECTS\10-006-5\Drawings\CADD Sheets\0570000-040-045-detailed.dgn

USER NAME = Richard Heinke	DESIGNED - JAH	REVISED -
DRAWN - RNH	REVISIONS -	
PLOT SCALE = 40.0000' / in.	CHECKED - TMM	REVISIONS -
PLOT DATE = 3/7/2013	DATE -	REVISIONS -

F.A.I. RTE.	SECTION	COUNTY	TOTAL SHEETS	SHEET NO.
74	MEDIAN CABLE 2013-1	CHAMPAIGN	119	41
CONTRACT NO. 70A00			ILLINOIS FED. AID PROJECT	