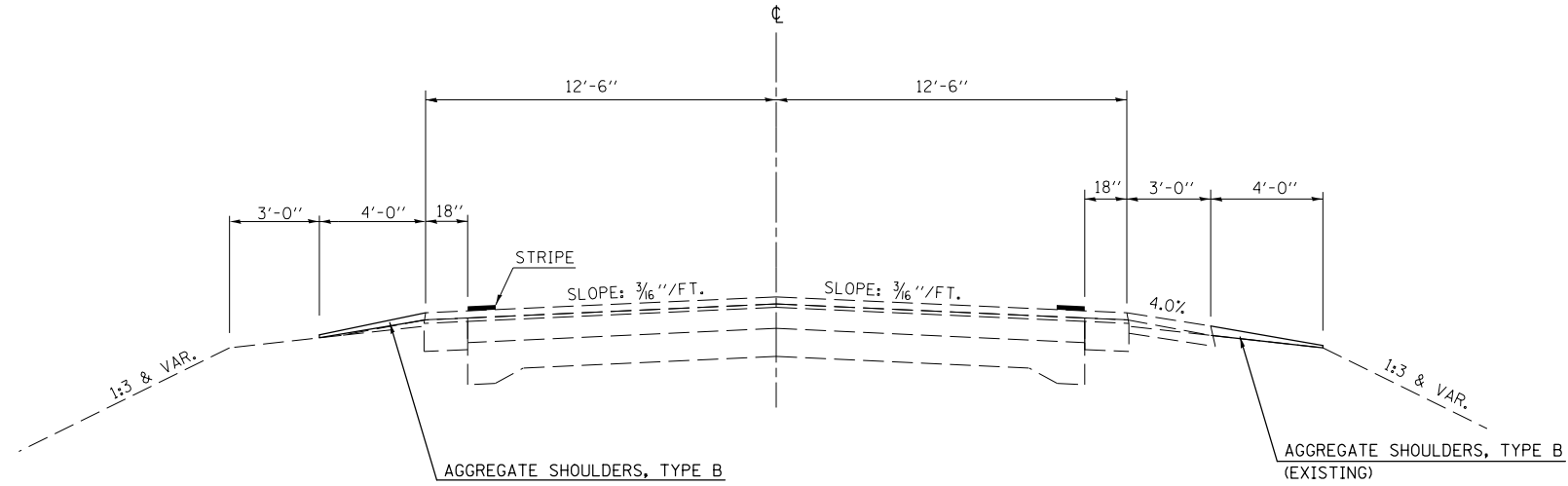


LOCATION #1 TYPICAL SECTION ⑤

F.A.P. ROUTE 749 (IL. 133)

STATION ④ 244+00.00 TO STATION 247+00.00 ④



•SHOULDER REPAIR FY2013-2
 •• DOUGLAS & EDGAR

| | | | |
|--|-----------------------------|------------|-----------|
| FILE NAME = | USER NAME = ceerlockjd | DESIGNED - | REVISED - |
| ei:\pwork\pwork\ceerlockjd\0336898\0570A24-Sht-Typical.dgn | | DRAWN - | REVISED - |
| | PLOT SCALE = 40.0000' / in. | CHECKED - | REVISED - |
| #MODELNAME# | PLOT DATE = 3/20/2013 | DATE - | REVISED - |

STATE OF ILLINOIS
 DEPARTMENT OF TRANSPORTATION

LOCATION #1 TYPICAL SECTIONS
 F.A.P. ROUTE 749 (IL. 133)

SCALE: SHEET 3 OF 3 SHEETS STA. TO STA.

| F.A. RTE. | SECTION | COUNTY | TOTAL SHEETS | SHEET NO. |
|---------------------------|---------|--------|--------------------|-----------|
| VAR. | * | ** | 15 | 9 |
| | | | CONTRACT NO. 70A24 | |
| ILLINOIS FED. AID PROJECT | | | | |