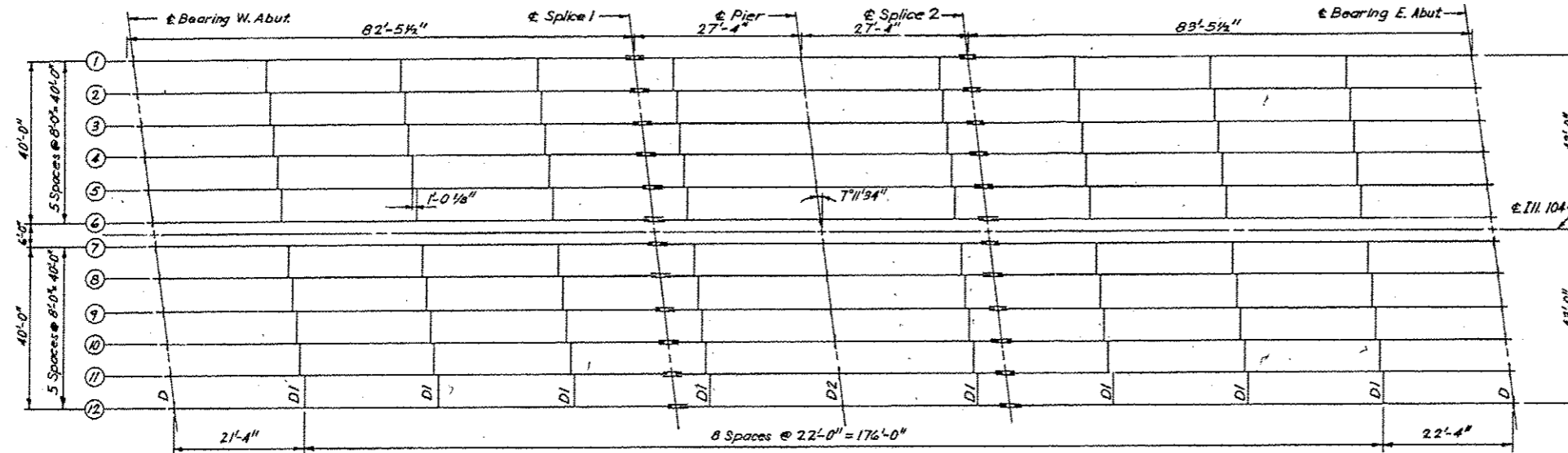
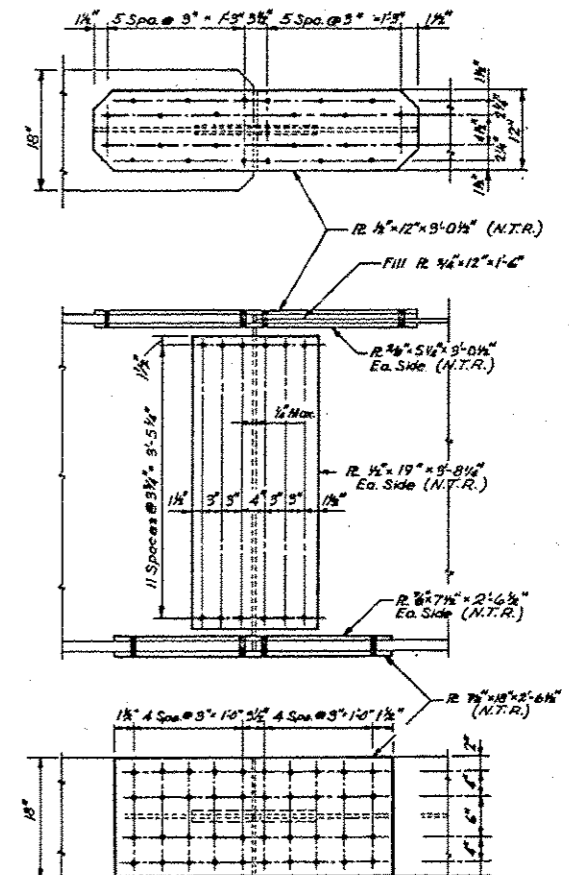


STATE OF ILLINOIS
DEPARTMENT OF TRANSPORTATION

407	3	ADAMS	151	65	12 SHEETS
-----	---	-------	-----	----	-----------

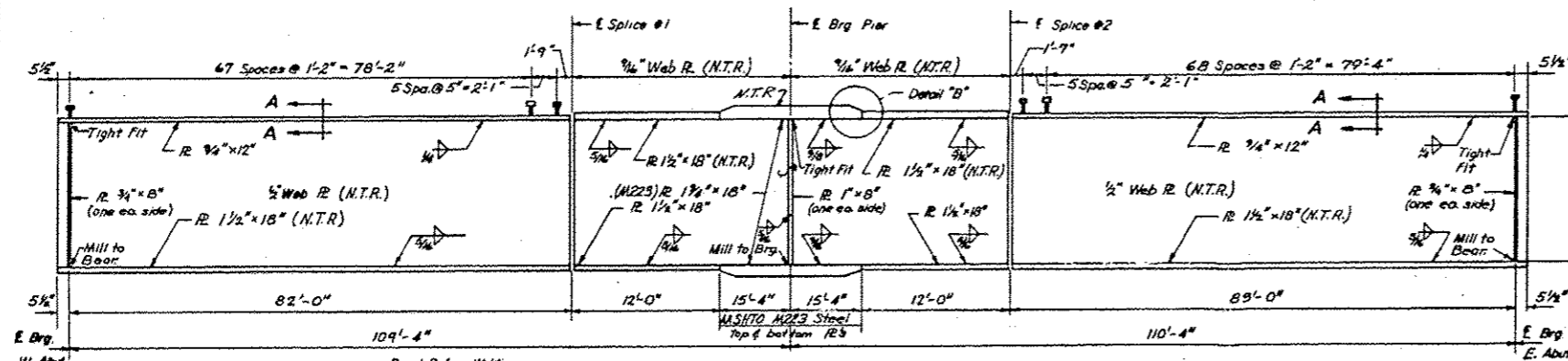


FRAMING PLAN

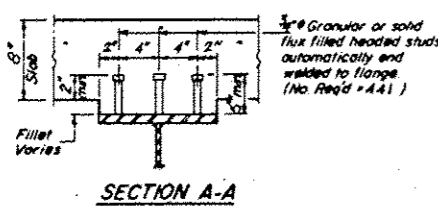


SPLICE DETAILS
(All bolts 7/8\"/>

Notes:
N.T.R. indicates notch toughness requirements. See General Notes.
Use 1/8\"/>



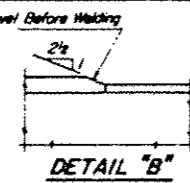
GIRDER ELEVATION



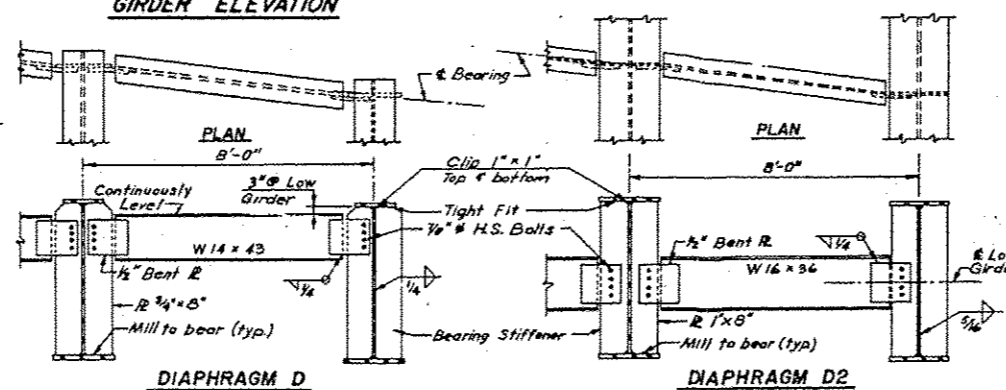
SECTION A-A

DESIGNED	M.K.M.
CHECKED	H.M.W.
DRAWN	S.L.M.
CHECKED	H.M.W.

G-1 7-1-72



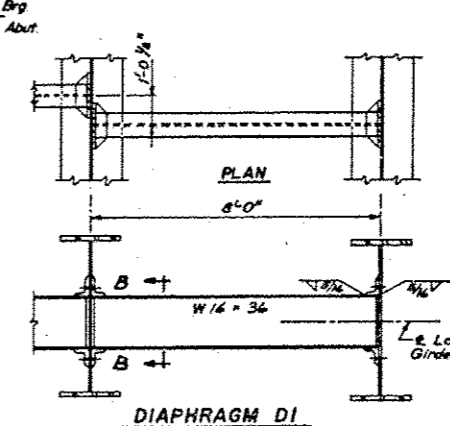
DETAIL B-B



DIAPHRAGM D

DIAPHRAGM D2

DIAPHRAGM D1



SECTION B-B

STRUCTURAL STEEL
FA. RTE. 407 SEC. 1-5HB3
ADAMS COUNTY
STATION 282+30.23

FOR INFORMATION ONLY

FILE NAME D:\OPERATIONS\Bridges\plans\CA072087 - D	USER NAME adlaybn	DESIGNED pointing 2013-1\plans\ee\dgn	REVISED	STATE OF ILLINOIS DEPARTMENT OF TRANSPORTATION	001-0047 EXISTING PLANS	F.A.I. RTE. VAR.	SECTION 06 PAINTING 2013-1	COUNTY ADAMS/PIKE	TOTAL SHEETS 16	SHEET NO. 10
Default	PLOT SCALE 0.9688 1/16"	CHECKED Feb-27-2013 18:48:57AM	DATE	SCALE: _____	SHEET _____ OF _____ SHEETS	STA. _____ TO STA. _____	ILLINOIS FED. AID PROJECT CONTRACT NO. 72G07			