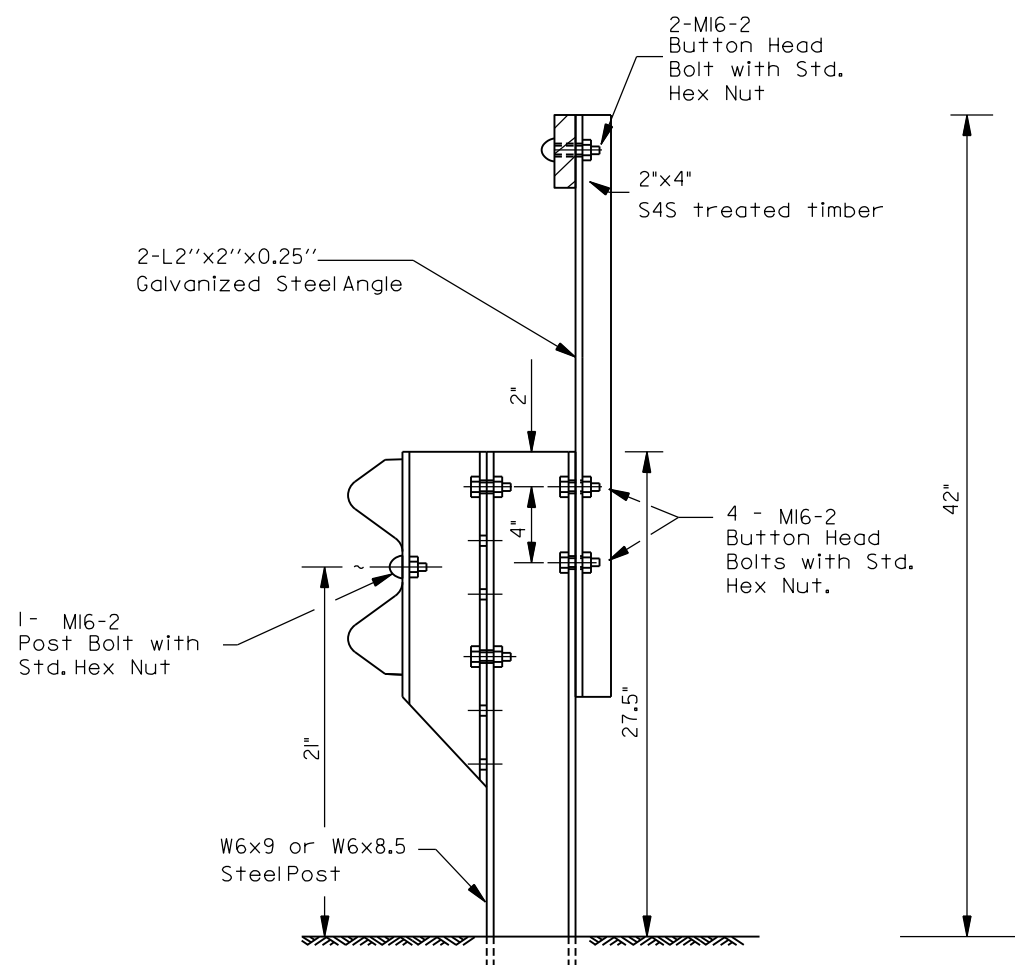


PLAN



BICYCLE RAILING, SPECIAL CROSS SECTION

FILE NAME =	USER NAME = steffenmk	DESIGNED -	REVISED -
ci:\pw\work\p\idot\steffenmk\d0187065\074615-shr-details.dgn		DRAWN -	REVISED -
Default	PLOT SCALE = 100.0000' / in.	CHECKED -	REVISED -
	PLOT DATE = 3/28/2013	DATE -	REVISED -

STATE OF ILLINOIS
DEPARTMENT OF TRANSPORTATION

BICYCLE RAILING

SCALE: SHEET OF SHEETS STA. TO STA.

F.A.P. RTE.	SECTION	COUNTY	TOTAL SHEETS	SHEET NO.
325	(11B-1)BR	SHELBY	32	11
CONTRACT NO. 74615			ILLINOIS FED. AID PROJECT	