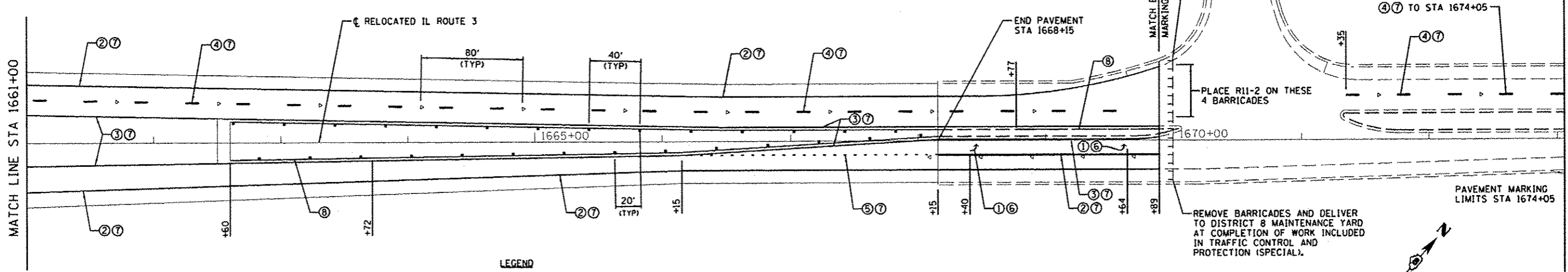


NOTE:  
 • WITHIN THE BRIDGE LOCATIONS, GROOVING SHOULD BE TO THE DEPTH OF THE CONCRETE DECK TINNING / GROOVING (1/4") OR AS DIRECTED BY THE ENGINEER. THIS WORK IS TO BE INCLUDED IN THE GROOVING PAY ITEM OF THE SIZE SPECIFIED.  
 • RAISED REFLECTIVE MARKERS TO BE PAID AS RAISED REFLECTIVE PAVEMENT MARKERS (BRIDGE).



GENERAL NOTES:  
 1. PROPOSED PAVEMENT MARKINGS AND PROPOSED RAISED REFLECTIVE MARKERS ARE TO BE INSTALLED IN ACCORDANCE WITH HIGHWAY STANDARD 780001.  
 2. PROPOSED PRISMATIC CURB REFLECTORS ARE TO BE SPACED 40' ON CENTER. THE PROPOSED REFLECTORS SHALL BE OFFSET 20' FROM ONE SIDE TO THE OTHER.

LEGEND		
①	PREFORMED PLASTIC PAVEMENT MARKING, TYPE B - LETTERS AND SYMBOLS	WHITE SYMBOLS
②	PREFORMED PLASTIC PAVEMENT MARKING, TYPE B - LINE 4"	SOLID WHITE LINE
③	PREFORMED PLASTIC PAVEMENT MARKING, TYPE B - LINE 4"	SOLID YELLOW LINE
④	PREFORMED PLASTIC PAVEMENT MARKING, TYPE B - LINE 4"	WHITE SKIP DASH
⑤	PREFORMED PLASTIC PAVEMENT MARKING, TYPE B - LINE 4"	WHITE DOTTED LINE
⑥	GROOVING FOR RECESSED PAVEMENT MARKING, LETTERS, NUMBERS AND SYMBOLS	
⑦	GROOVING FOR RECESSED PAVEMENT MARKING 5"	
⑧	PAINT PAVEMENT MARKING, CURB - LINE 6" (16' LINE 8' GAP)	SOLID YELLOW LINE

RAISED REFLECTIVE PAVEMENT MARKERS LEGEND  
 > ONE-WAY CRYSTAL MARKER  
 • PRISMATIC CURB REFLECTOR



USER NAME	DESIGNED - JJO	REVISED - 03/29/13
DESIGNED - JJO	REVISOR - JJO	REVISED - 04/26/13
CHECKED - PJM	REVISOR - PJM	REVISED -
DATE - 12/10/12	REVISOR -	REVISED -

STATE OF ILLINOIS  
 DEPARTMENT OF TRANSPORTATION

PAVEMENT MARKING PLAN  
 RELOCATED IL RTE 3

SCALE: SHEET NO. OF SHEETS STA. TO STA.

F.A.P. RTE.	SECTION	COUNTY	TOTAL SHEETS	SHEET NO.
788	520-1-2HVB, 520-1-2HVB-1	ST. CLAIR	237	55
CONTRACT NO. 76848				
ILLINOIS FED. AID PROJECT				