

**INSIDE ELEVATION OF NORTH AND SOUTH PARAPET**

**MINIMUM BAR LAP**  
(Parapet)  
#4 bar = 2'-0"  
#8 bar = 5'-2"

Non-staining gray one component non-sag elastomeric gun grade polyurethane sealant meeting the requirements of ASTM C-920, Type S, Grade NS, Class 25, use T with a 5/8" backer rod.

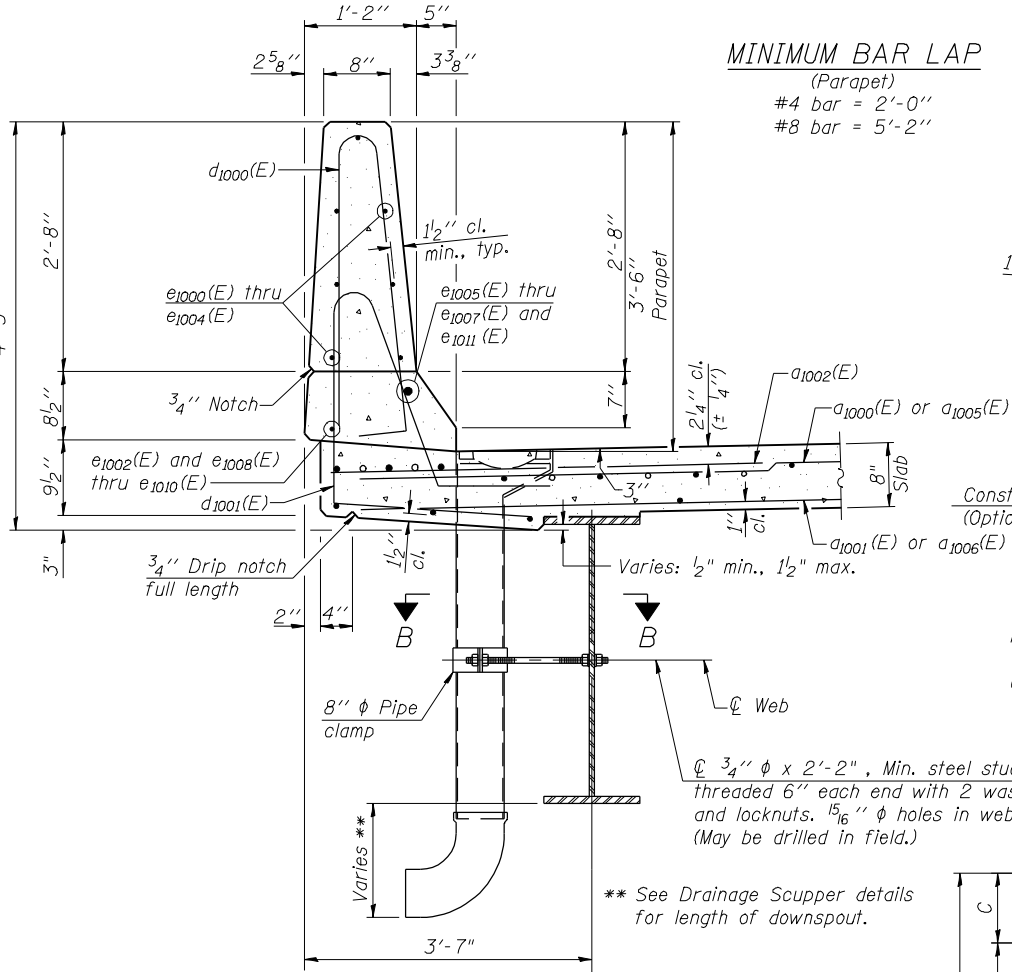
1/2" Preformed Self-Expanding Cork Joint Filler according to Article 1051.07 of the Std. Spec. Cost included with Concrete Superstructure.

Const. Jts. at Piers 1/8" Aluminum sheet ASTM B 209 alloy 3003-H14 coated to minimize reaction with wet concrete. Cost included with Concrete Superstructure

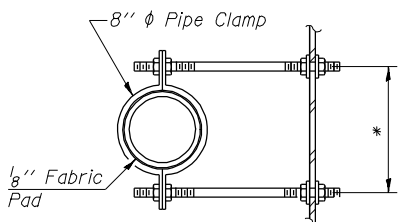
**PARAPET JOINT DETAILS**

Notes:  
Galvanize clamping device according to AASHTO M232. Cost of clamping device and inserts is included with Drainage Scuppers, DS-11.

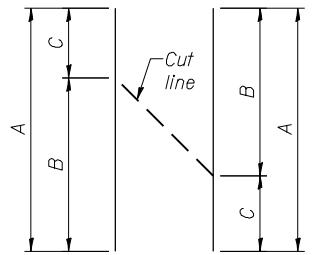
Hatched area to be poured after superstructure forms have been removed. Quantity of concrete included with Concrete Superstructure.



**SECTION THRU PARAPET**

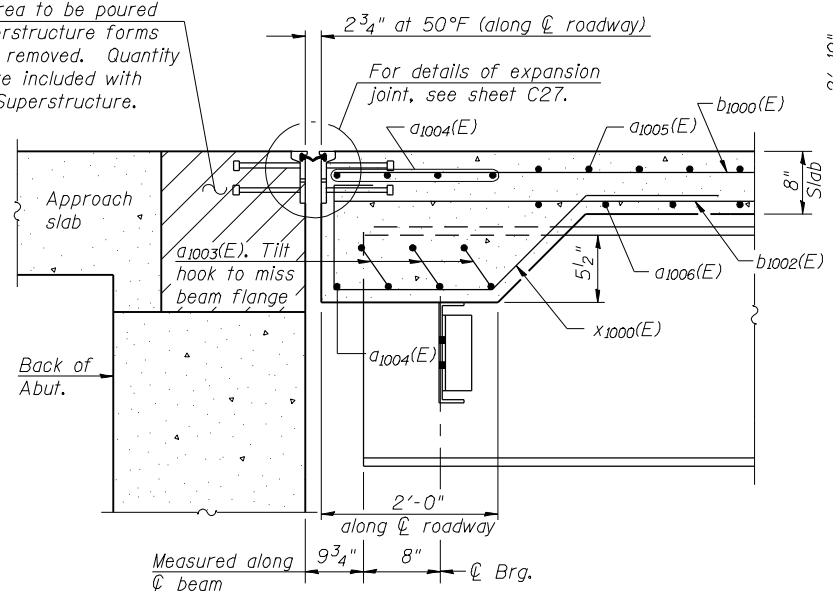


**SECTION B-B**  
\* Dimension as required by Pipe Clamp

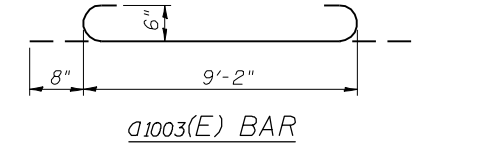


**BAR a1005(E) AND a1006(E)**

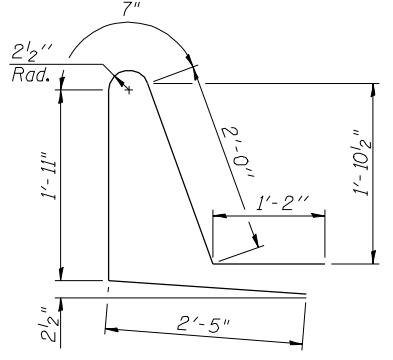
Bar	A	B	C
a1005(E)	42'-1"	39'-10"	2'-3"
a1006(E)	41'-6"	39'-3"	2'-3"



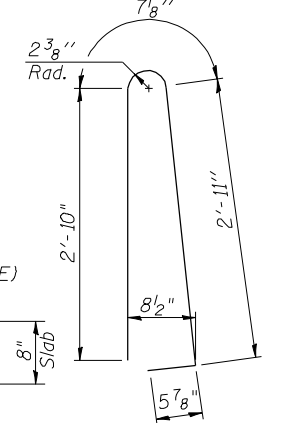
**SECTION A-A**



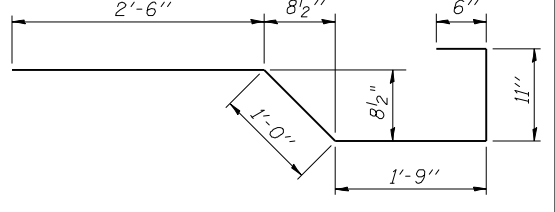
**a1003(E) BAR**



**BAR d1001(E)**



**BAR d1000(E)**



**BAR x1000(E)**

**SUPERSTRUCTURE BILL OF MATERIAL**

Bar	No.	Size	Length	Shape
a1000(E)	899	#5	40'-6"	—
a1001(E)	562	#5	39'-10"	—
a1002(E)	1782	#6	6'-6"	—
a1003(E)	24	#6	10'-6"	—
a1004(E)	10	#6	45'-0"	—
a1005(E)	45	#5	42'-1"	—
a1006(E)	28	#5	41'-6"	—
a1008(E)	32	#5	1'-6"	—
b1000(E)	660	#5	28'-9"	—
b1001(E)	123	#6	29'-6"	—
b1002(E)	782	#5	25'-8"	—
b1003(E)	123	#6	26'-4"	—
d1000(E)	862	#5	6'-10"	—
d1001(E)	862	#5	8'-1"	—
e1000(E)	14	#4	18'-10"	—
e1001(E)	70	#4	18'-7"	—
e1002(E)	64	#4	19'-8"	—
e1003(E)	84	#4	16'-11"	—
e1004(E)	70	#4	19'-2"	—
e1005(E)	8	#8	32'-3"	—
e1006(E)	8	#8	29'-8"	—
e1007(E)	6	#8	35'-10"	—
e1008(E)	8	#4	29'-11"	—
e1009(E)	8	#4	27'-3"	—
e1010(E)	8	#4	25'-10"	—
e1011(E)	8	#8	19'-8"	—
x1000(E)	92	#5	6'-8"	—
Reinforcement Bars, Epoxy Coated		Pound	154590	
Concrete Superstructure		Cu. Yds.	524.4	

Bars indicated thus 1 x 5 -#8 etc. indicates 1 line of bars with 5 lengths per line.

17-OCT-2012 P:\CX31000\700cadd\7095tr\FINAL PLANS\0820334-76848-018-Parapet\_Details(NB).dgn 16:25



USER NAME =	DESIGNED - N. KHATRI	REVISED -
PLOT DATE = 17-OCT-2012	CHECKED - S. HENNING	REVISED -
	DRAWN - E. BAZZELL	REVISED -
	CHECKED - J. SMITH	REVISED -

**STATE OF ILLINOIS DEPARTMENT OF TRANSPORTATION**

**PARAPET DETAILS - N.B. STRUCTURE NO. 082-0334 (N.B.) & 082-0335 (S.B.)**

F.A.P. RTE.	SECTION	COUNTY	TOTAL SHEETS	SHEET NO.
788	520-1-2HVB	ST. CLAIR	237	75
CONTRACT NO. 76848				

SHEET NO. C18 OF 76 SHEETS

ILLINOIS FED. AID PROJECT