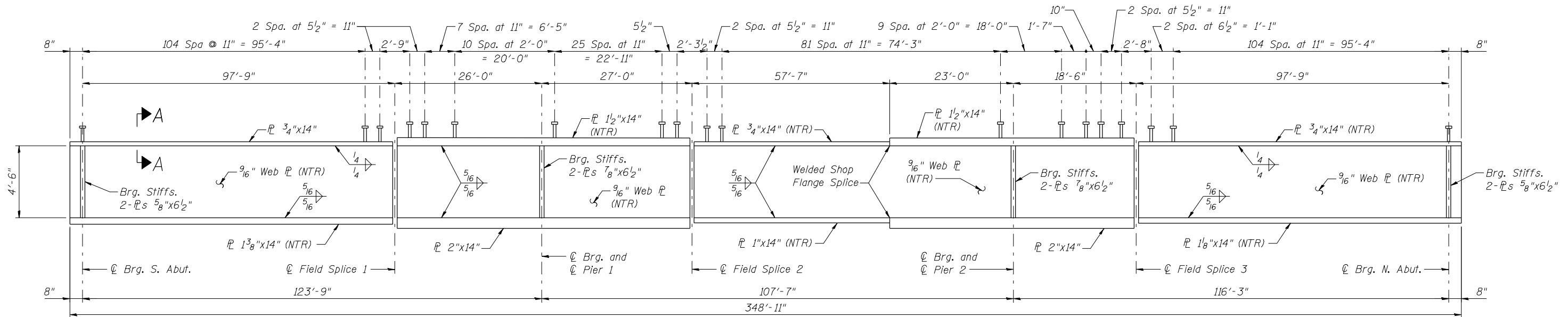
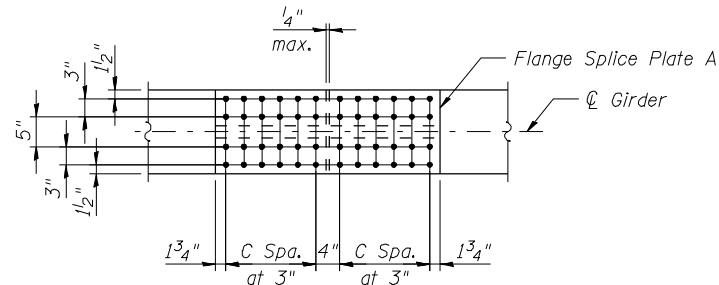


17-OCT-2012 16:29 P:\CX31000\100cadd\1095tr\FINAL\_PLANS\0820335-76848-031-Girder\_Details(SB).dgn

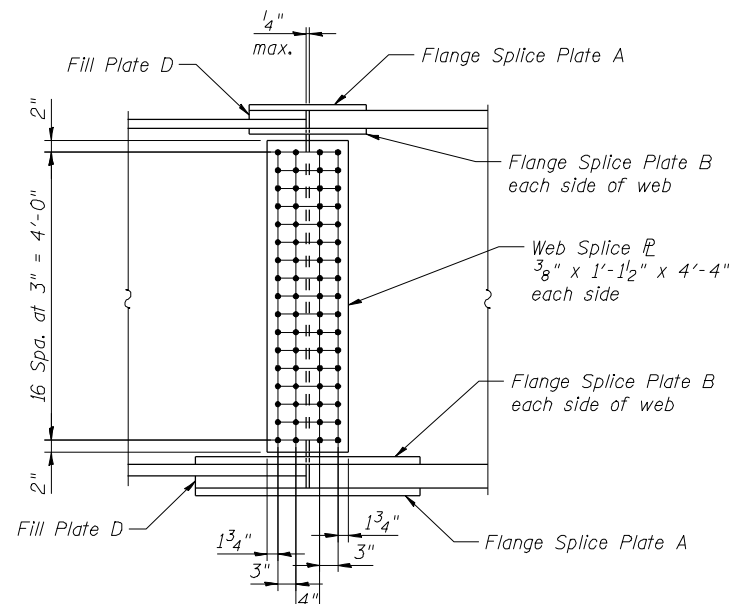


**GIRDER ELEVATION**

"NTR" denotes plates that shall conform to the Supplemental Requirements for Notch Toughness, Zone 2.



**TOP AND BOTTOM SPLICE PLATES**



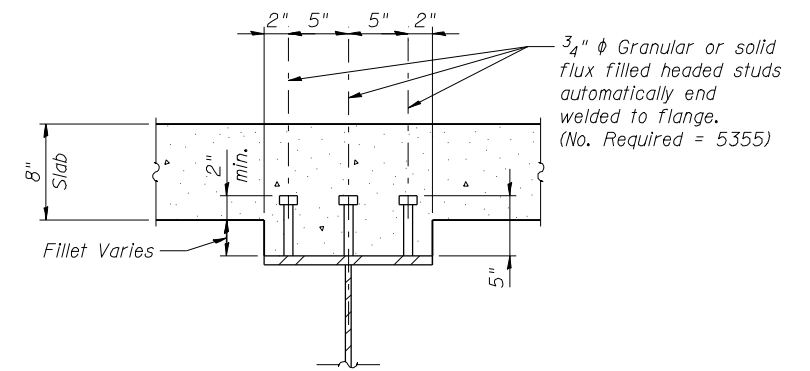
**SPLICE DETAIL**

(15 Required)

All splice plates, except fill plates, shall conform to the supplemental requirements for Notch Toughness, Zone 2.

Splice No.	Top Flange Splice			
	Plate A	Plate B	Fill Plate D	C Spaces
1	1/2" x 1'-2" x 2'-1 1/2"	1/2" x 6" x 2'-1 1/2"	3/4" x 1'-2" x 1'-0 5/8"	3
2	1/2" x 1'-2" x 1'-7 1/2"	1/2" x 6" x 1'-7 1/2"	3/4" x 1'-2" x 9 5/8"	2
3	1/2" x 1'-2" x 2'-1 1/2"	5/8" x 6" x 2'-1 1/2"	3/4" x 1'-2" x 1'-0 5/8"	3
Splice No.	Bottom Flange Splice			
	Plate A	Plate B	Fill Plate D	C Spaces
1	5/8" x 1'-2" x 3'-1 1/2"	5/8" x 6" x 3'-1 1/2"	5/8" x 1'-2" x 1'-6 5/8"	5
2	1/2" x 1'-2" x 3'-1 1/2"	5/8" x 6" x 3'-1 1/2"	1" x 1'-2" x 1'-6 5/8"	5
3	1/2" x 1'-2" x 3'-1 1/2"	5/8" x 6" x 3'-1 1/2"	7/8" x 1'-2" x 1'-6 5/8"	5

**TABLE OF FLANGE SPLICE VARIABLES**



**SECTION A-A**

Notes:  
 Structural steel shall conform to the requirements of AASHTO M270 Grade 50 except as noted.  
 All bolts are 7/8" phi ASTM A325 high strength bolts in 1 5/16" phi holes.



USER NAME =  
 DESIGNED - M. CRONIN  
 CHECKED - R. RILEY  
 PLOT DATE = 17-OCT-2012  
 DRAWN - E. KRACK  
 CHECKED - J. SMITH

REVISED -  
 REVISED -  
 REVISED -  
 REVISED -

**STATE OF ILLINOIS**  
**DEPARTMENT OF TRANSPORTATION**

**GIRDER DETAILS - S.B.**  
**STRUCTURE NO. 082-0334 (N.B.) & 082-0335 (S.B.)**

SHEET NO. C31 OF 76 SHEETS

F.A.P. RTE.	SECTION	COUNTY	TOTAL SHEETS	SHEET NO.
788	520-1-2HVB	ST. CLAIR	237	88
CONTRACT NO. 76848				

ILLINOIS FED. AID PROJECT

FILE NAME = 0820335-76848-031-Girder\_Details(SB).dgn