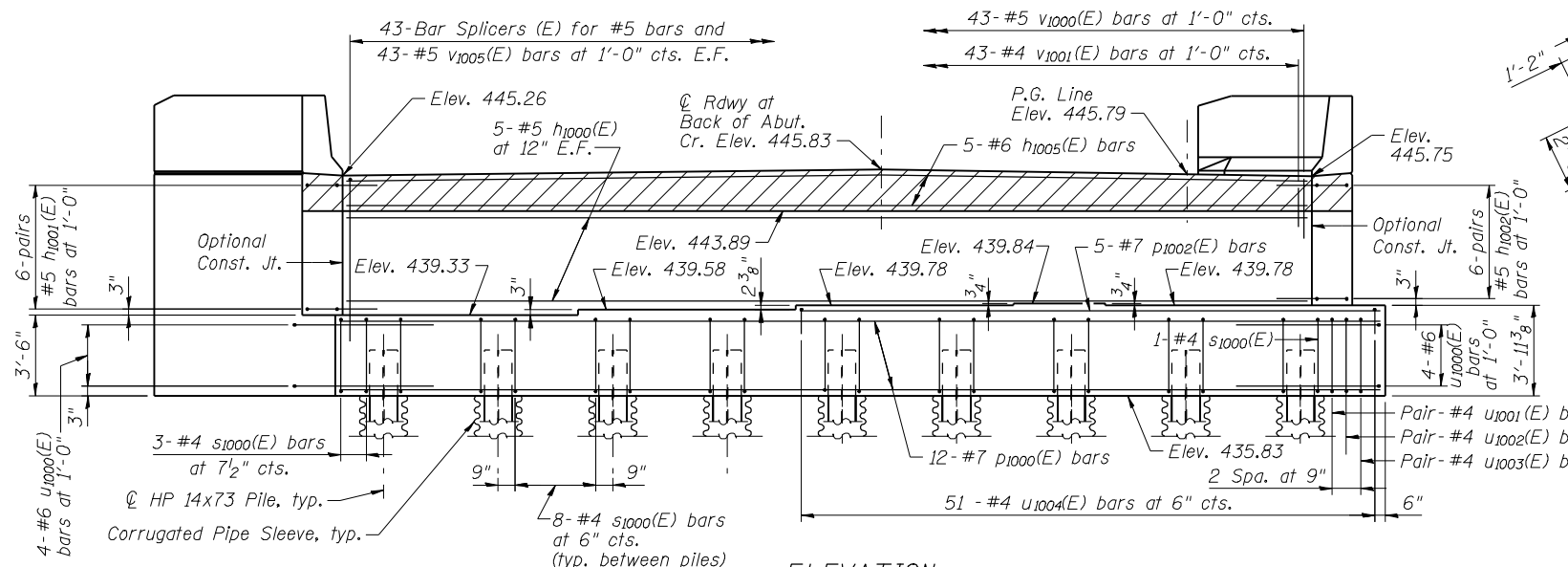
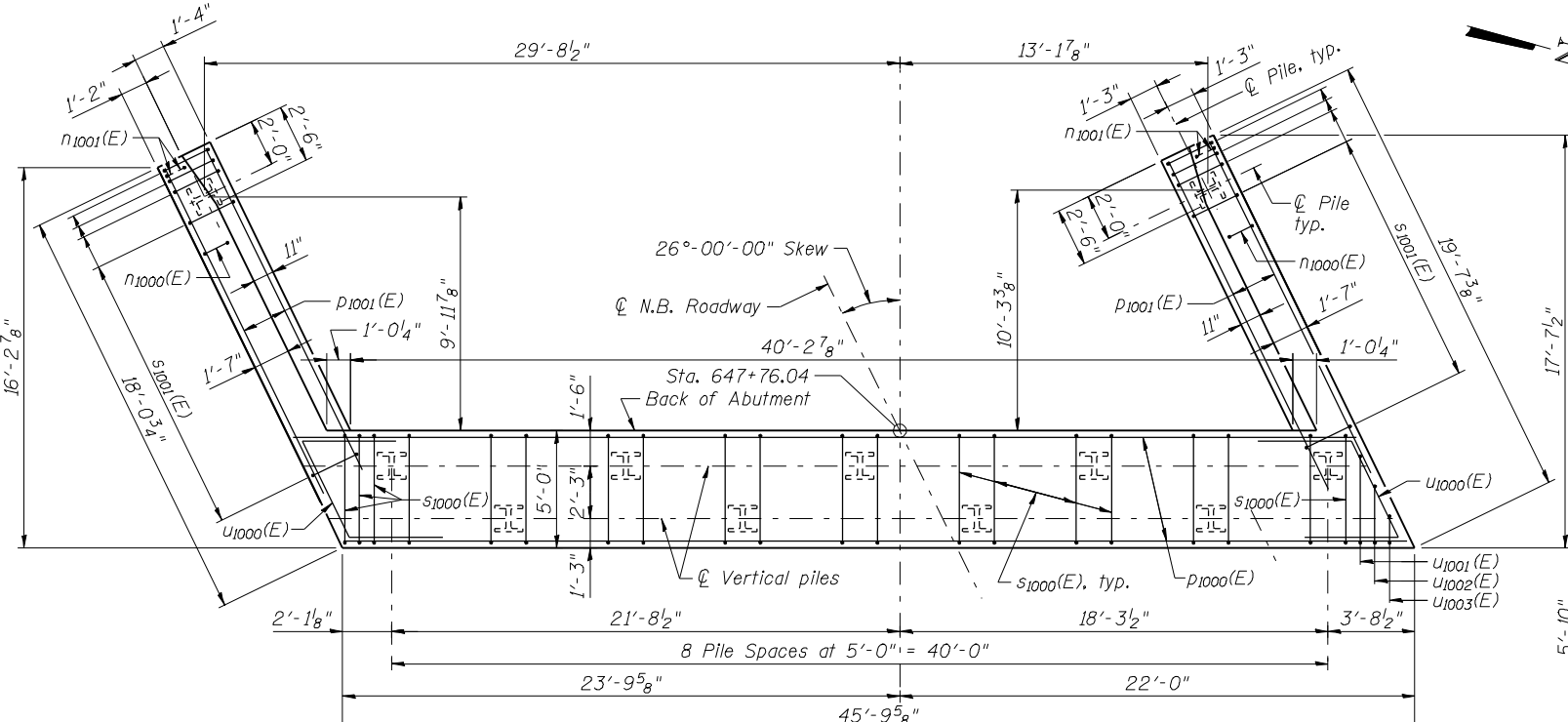


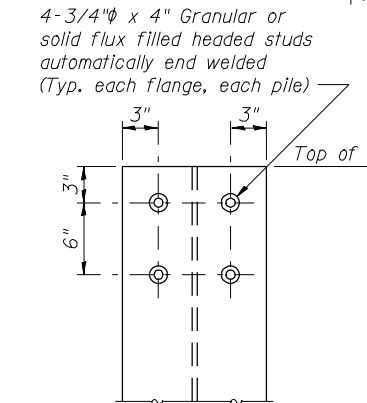
17-OCT-2012 P:\CX31000\100cadd\709btf\FINAL PLANS\0820334-76848-036-S ABUT(NB).dgn



ELEVATION



PLAN-PILE CAP

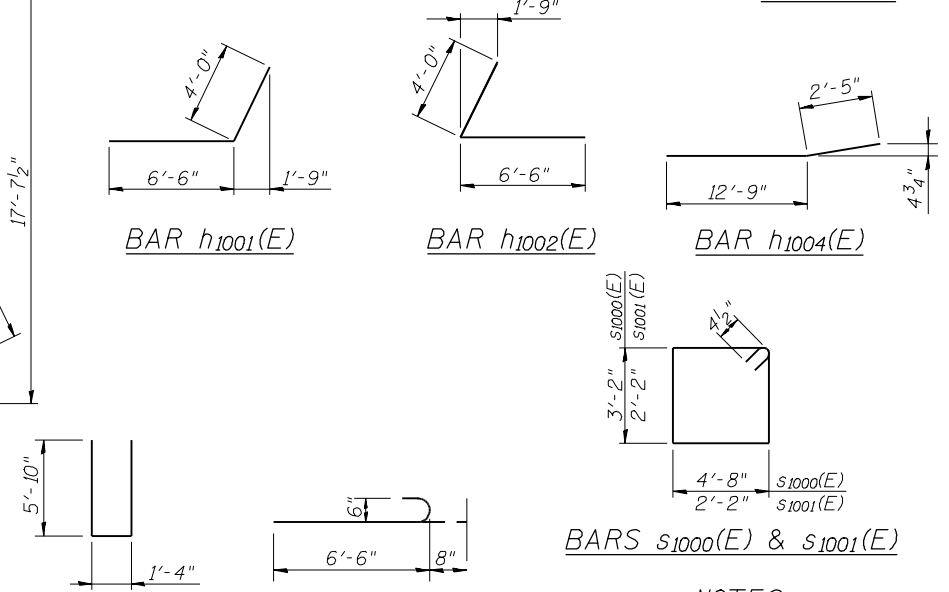
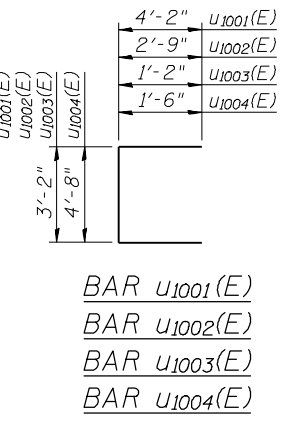


PILE DATA

Type: HP14x73 with Pile Shoes
Nominal Required Bearing: 525 kips
Factored Resistance Available: 261 kips
Est. Length: 131 ft.
No. Production Piles: 10
No. Test Piles: 1

SEISMIC PILE DETAILS

Cost of 3/4" Studs shall be included in item "Furnishing Steel Piles, HP14x73."

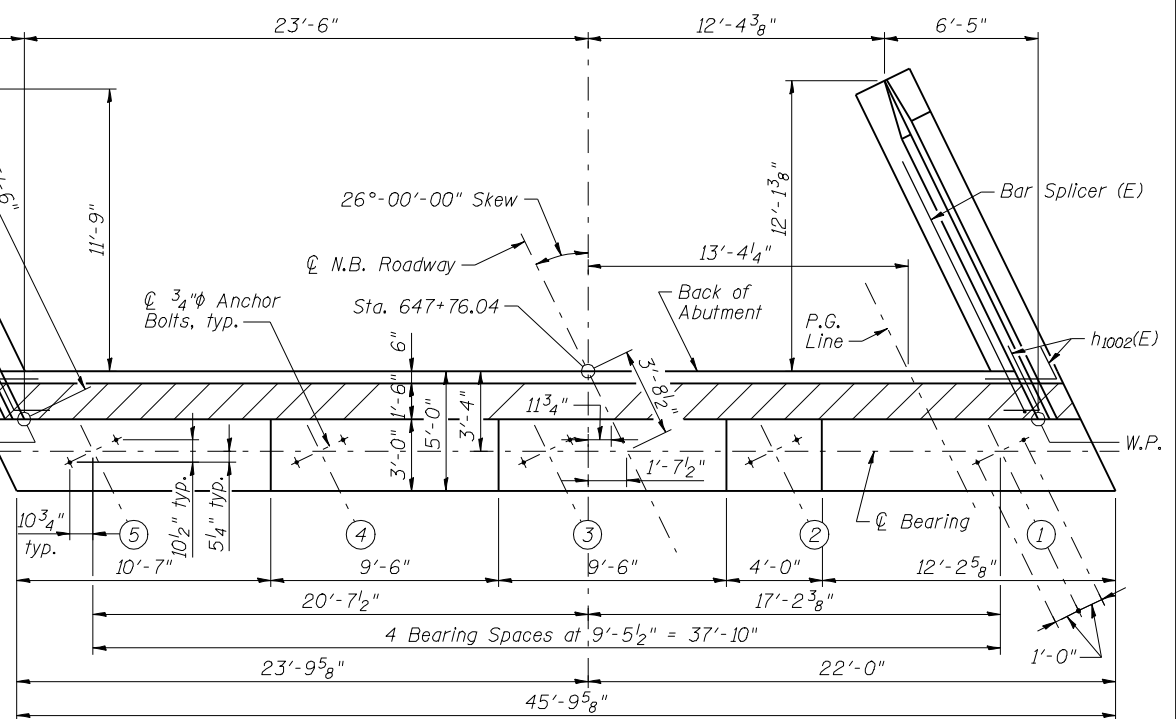


NOTES

Top of backwall shall conform to longitudinal grade and cross slope of roadway.
Pour steps monolithically with cap.
Space reinforcement in cap to miss anchor bolts.
Concrete Sealer should be applied to the designated areas of the abutment shown on sheet C37.
All edges shall have a standard 3/4" chamfer except as noted.
For details of Bar Splicers, see sheet C50.
For details of piles, see sheet C51.
Abutment piles installed through MSE Wall fill shall be fitted with corrugated pipe sleeves prior to MSE Wall fill placement. Sleeves shall be filled with sand after pile installation. Cost of the corrugated pipe sleeves is included with the cost of Mechanically Stabilized Earth Retaining Wall.

BAR h1001(E)
BAR h1002(E)
BAR h1004(E)
BAR n1000(E)
BAR n1001(E)
BAR u1000(E)
BAR u1001(E)
BAR u1002(E)
BAR u1003(E)
BAR u1004(E)
BAR v1001(E)
BAR v1003(E)
BAR v1004(E)

BARS s1000(E) & s1001(E)



TOP VIEW

SOUTH ABUTMENT - N.B.
BILL OF MATERIAL

Bar	No.	Size	Length	Shape
h1000(E)	10	#5	42'-0"	
h1001(E)	12	#5	10'-6"	
h1002(E)	12	#5	10'-6"	
h1003(E)	12	#4	15'-11"	
h1004(E)	18	#4	15'-2"	
h1005(E)	5	#6	42'-0"	
h1006(E)	12	#4	14'-5"	
h1007(E)	3	#4	15'-4"	
h1008(E)	3	#4	15'-0"	
n1000(E)	26	#6	13'-0"	
n1001(E)	12	#6	7'-2"	
p1000(E)	12	#7	45'-5"	
p1001(E)	12	#7	17'-2"	
p1002(E)	5	#7	25'-4"	
s1000(E)	68	#4	16'-5"	
s1001(E)	32	#4	9'-5"	
u1000(E)	8	#6	14'-1"	
u1001(E)	2	#4	11'-6"	
u1002(E)	2	#4	8'-8"	
u1003(E)	2	#4	5'-6"	
u1004(E)	51	#4	7'-8"	
v1000(E)	43	#5	3'-9"	
v1001(E)	43	#4	3'-4"	
v1002(E)	32	#6	9'-2"	
v1003(E)	6	#6	8'-7"	
v1004(E)	26	#6	9'-3"	
v1005(E)	86	#5	7'-3"	
Concrete Structures		Cu. Yd.		63.6
Reinforcement Bars, Epoxy Coated		Pound		7140
Furnishing - Piles, HP14x73		Foot		1310.0
Driving Piles		Foot		1310.0
Test Pile, HP14x73		Each		1
Concrete Sealer		Sq. Ft.		401



USER NAME =	DESIGNED - N. KHATRI	REVISED -
PLOT DATE = 17-OCT-2012	CHECKED - S. HENNING	REVISED -
	DRAWN - C. SALLADE	REVISED -
	CHECKED - J. SMITH	REVISED -

STATE OF ILLINOIS
DEPARTMENT OF TRANSPORTATION

SOUTH ABUTMENT - N.B.
STRUCTURE NO. 082-0334 (N.B.) & 082-0335 (S.B.)

F.A.P. RTE.	SECTION	COUNTY	TOTAL SHEETS	SHEET NO.
788	520-1-2HVB	ST. CLAIR	237	93
				CONTRACT NO. 76848

SHEET NO. C36 OF 76 SHEETS

ILLINOIS FED. AID PROJECT