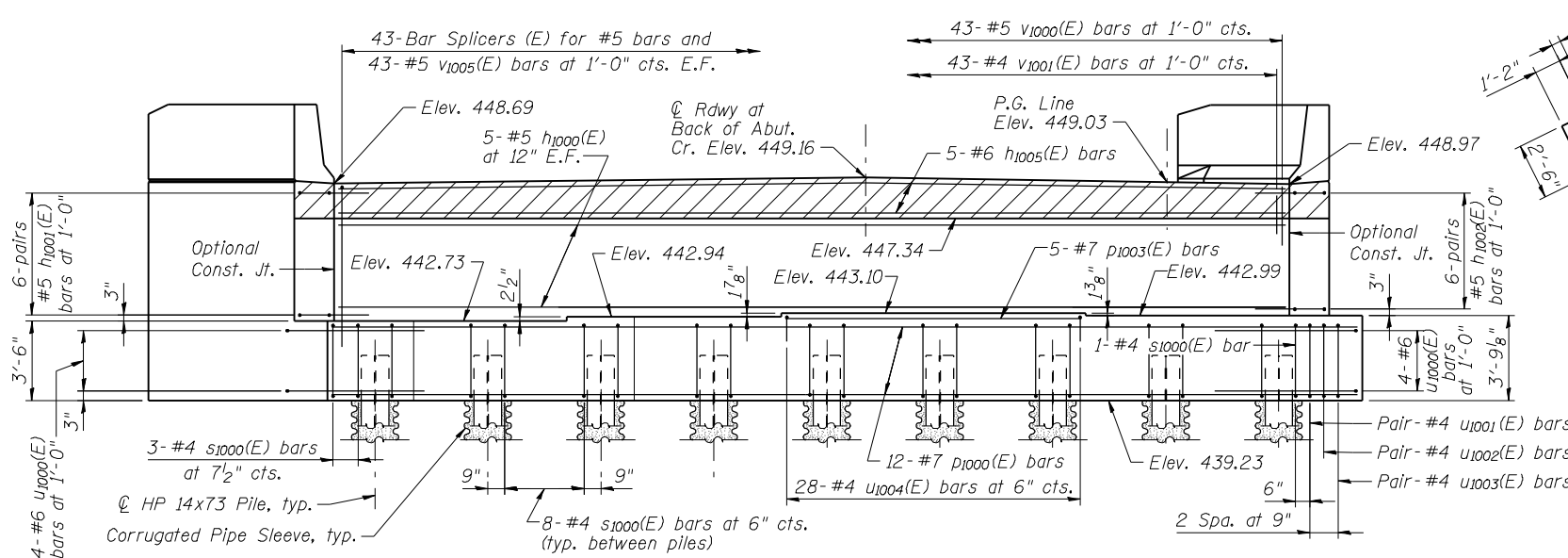
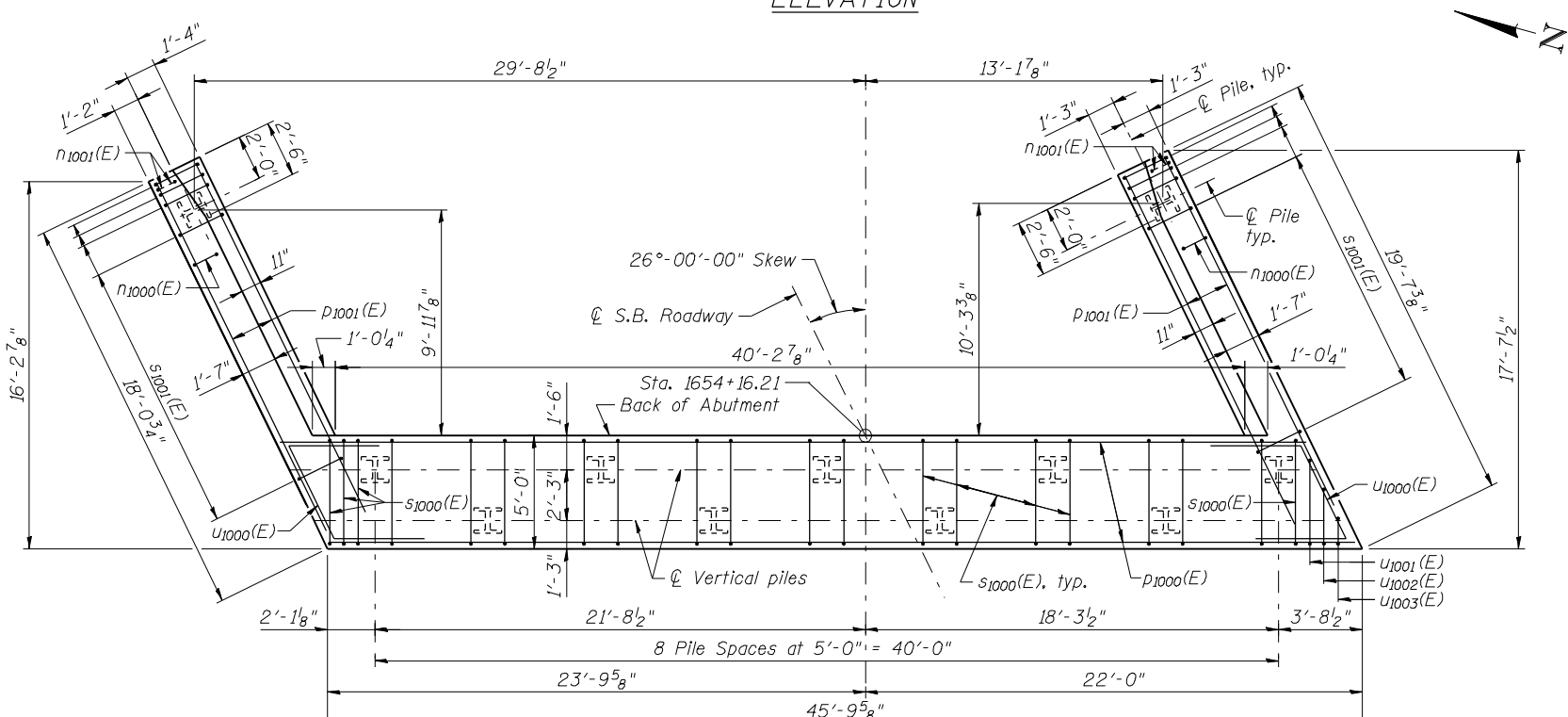


17-OCT-2012 P:\CX\31000\100\add\7095\FINAL PLANS\0820335-76848-042-N ABUT(SB).dgn

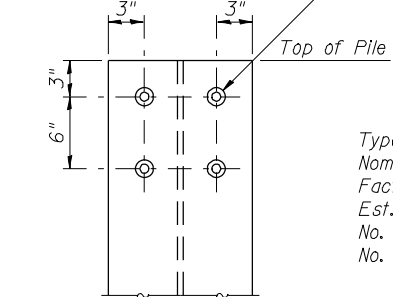


**ELEVATION**



**PLAN-PILE CAP**

4-3/4" x 4" Granular or solid flux filled headed studs automatically end welded (Typ. each flange, each pile)  
Top of Pile

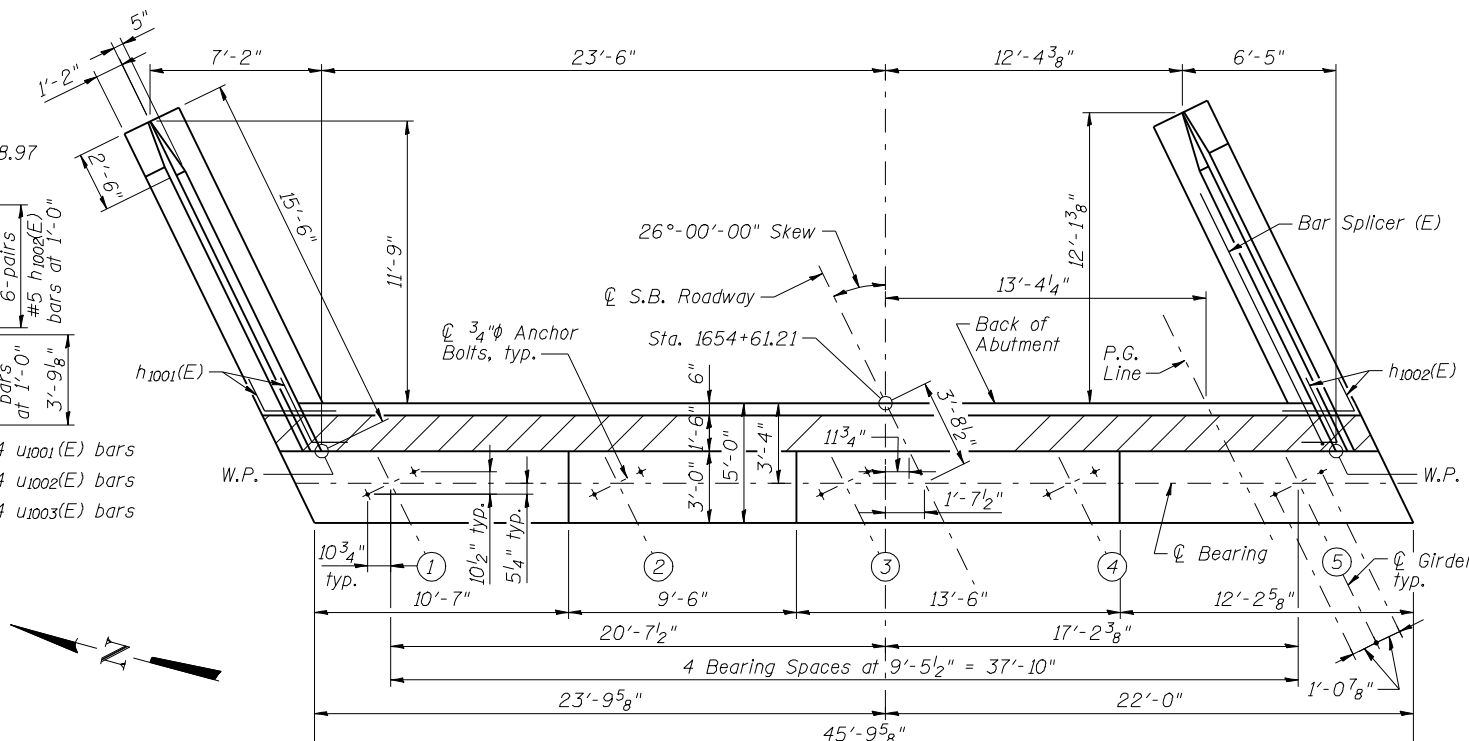
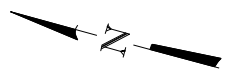
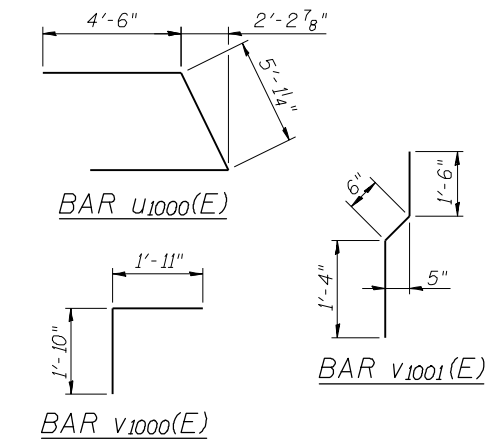
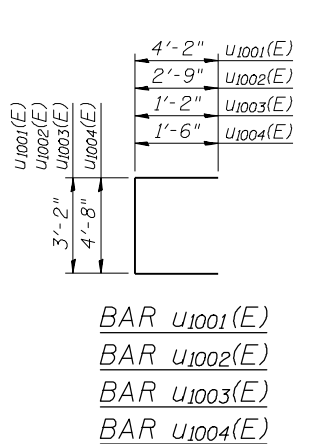


**SEISMIC PILE DETAILS**

Cost of 3/4" Studs shall be included in item "Furnishing Steel Piles, HP14x73."

**PILE DATA**

Type: HP14x73 with Pile Shoes  
Nominal Required Bearing: 578 kips  
Factored Resistance Available: 318 kips  
Est. Length: 127 ft.  
No. Production Piles: 10  
No. Test Piles: 1



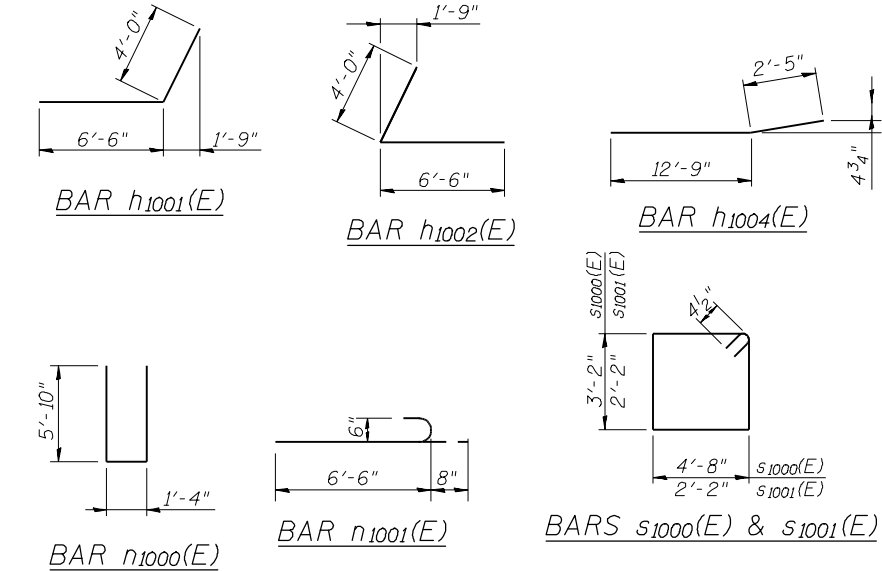
**TOP VIEW**

**NORTH ABUTMENT - S.B. BILL OF MATERIAL**

Bar	No.	Size	Length	Shape
h1000(E)	10	#5	42'-0"	
h1001(E)	12	#5	10'-6"	L
h1002(E)	12	#5	10'-6"	J
h1003(E)	12	#4	15'-11"	
h1004(E)	18	#4	15'-2"	
h1005(E)	5	#6	42'-0"	
h1006(E)	12	#4	14'-5"	
h1007(E)	3	#4	15'-4"	
h1008(E)	3	#4	15'-0"	
n1000(E)	26	#6	13'-0"	
n1001(E)	12	#6	7'-2"	U
p1000(E)	12	#7	45'-5"	
p1001(E)	12	#7	17'-2"	
p1003(E)	12	#7	13'-0"	
s1000(E)	68	#4	16'-5"	
s1001(E)	32	#4	9'-5"	
u1000(E)	8	#6	14'-1"	J
u1001(E)	2	#4	11'-6"	J
u1002(E)	2	#4	8'-8"	J
u1003(E)	2	#4	5'-6"	J
u1004(E)	28	#4	7'-8"	J
v1000(E)	43	#5	3'-9"	J
v1001(E)	43	#4	3'-4"	J
v1002(E)	32	#6	9'-2"	
v1003(E)	6	#6	8'-7"	
v1004(E)	26	#6	9'-3"	
v1005(E)	86	#5	7'-3"	
Concrete Structures		Cu. Yd.	63.2	
Reinforcement Bars, Epoxy Coated		Pound	7080	
Furnishing - Piles, HP14x73		Foot	1270.0	
Driving Piles		Foot	1270.0	
Test Pile, HP14x73		Each	1	
Concrete Sealer		Sq. Ft.	407	

**NOTES**

Top of backwall shall conform to longitudinal grade and cross slope of roadway.  
Pour steps monolithically with cap.  
Space reinforcement in cap to miss anchor bolts.  
Concrete Sealer should be applied to the designated areas of the abutment shown on sheet C43.  
All edges shall have a standard 3/4" chamfer except as noted.  
For details of Bar Splicers, see sheet C50.  
For details of piles, see sheet C51.  
Abutment piles installed through MSE wall fill shall be fitted with corrugated pipe sleeves prior to MSE wall fill placement. Sleeves shall be filled with sand after pile installation. Cost of the corrugated pipe sleeves is included with the cost of Mechanically Stabilized Earth Retaining Wall.



USER NAME =	DESIGNED - N. KHATRI	REVISED -
PLOT DATE = 17-OCT-2012	CHECKED - S. HENNING	REVISED -
	DRAWN - C. SALLADE	REVISED -
	CHECKED - N. KHATRI	REVISED -

**STATE OF ILLINOIS  
DEPARTMENT OF TRANSPORTATION**

**NORTH ABUTMENT - S.B.  
STRUCTURE NO. 082-0334 (N.B.) & 082-0335 (S.B.)**

F.A.P. R.T.E.	SECTION	COUNTY	TOTAL SHEETS	SHEET NO.
T88	520-1-2HVB	ST. CLAIR	237	99
CONTRACT NO. 76848				
ILLINOIS FED. AID PROJECT				