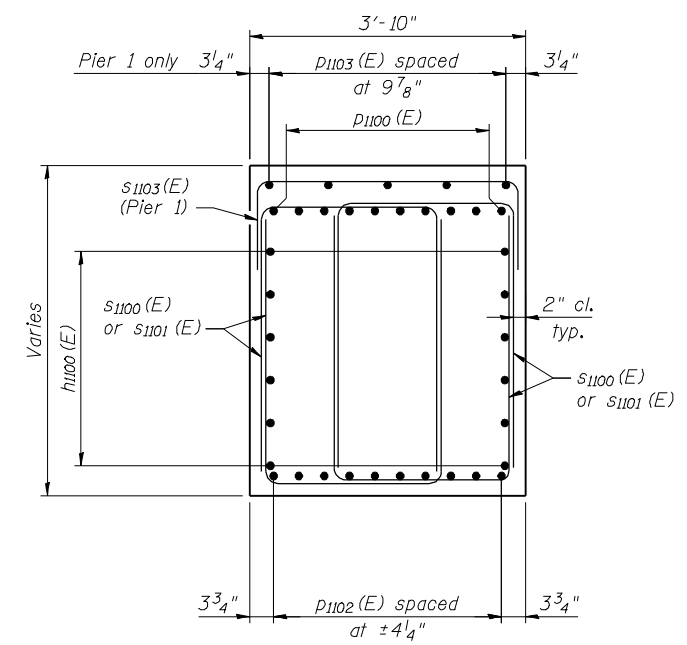
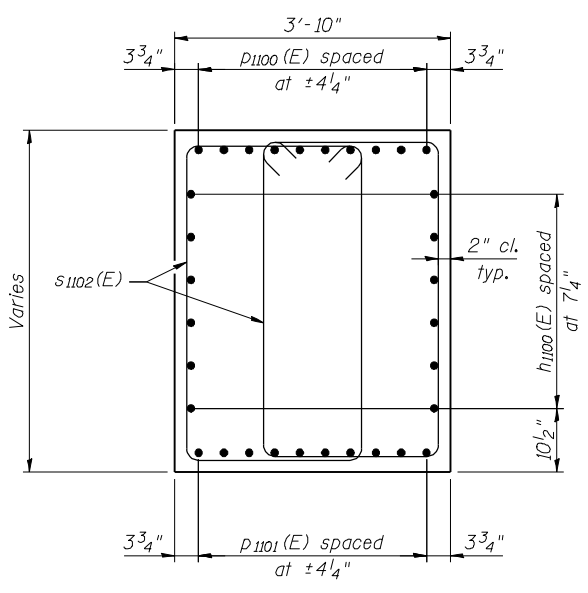


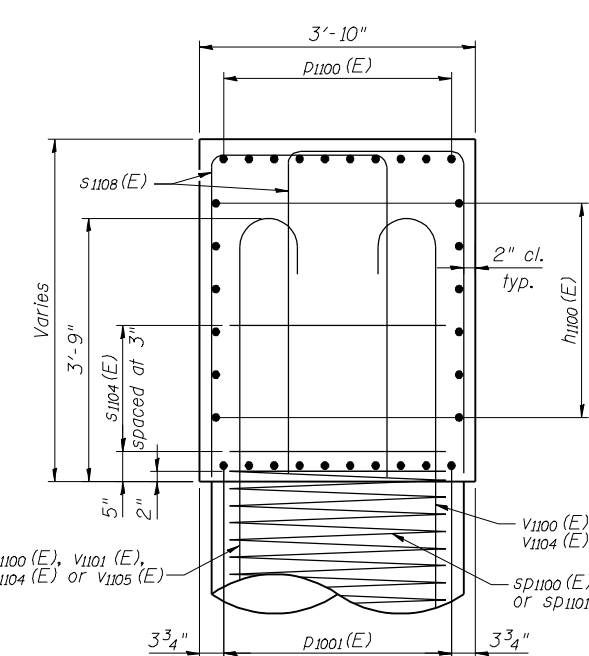
17-OCT-2012 P:\CX31000\700cadd\7095tr\FINAL_PLANS\0820334-76848-046-Pier_Details(NB).dgn



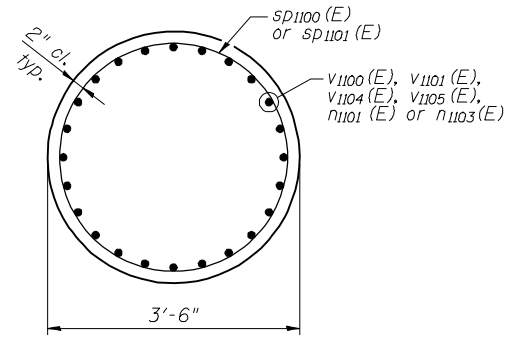
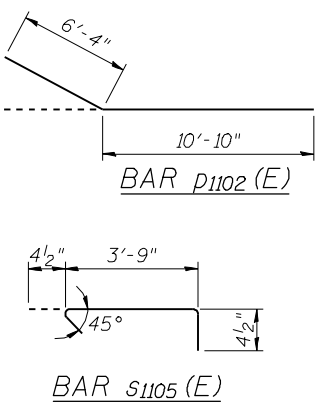
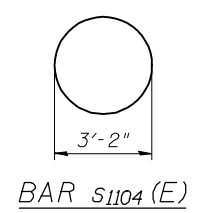
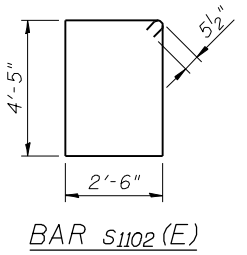
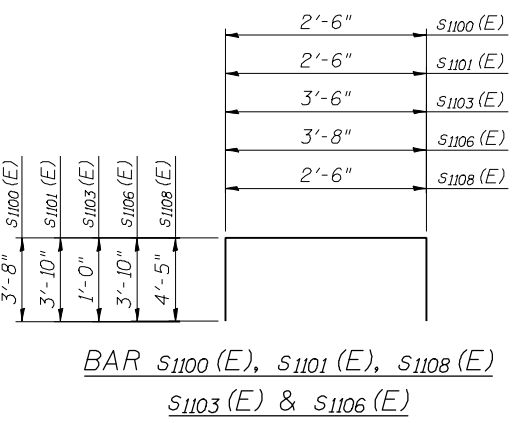
SECTION A-A



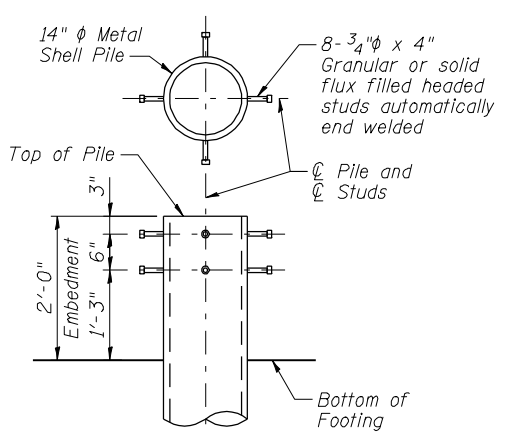
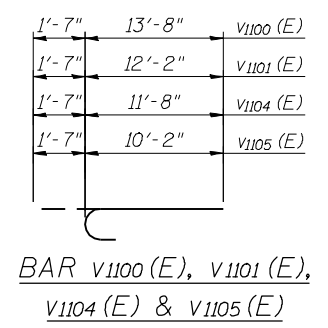
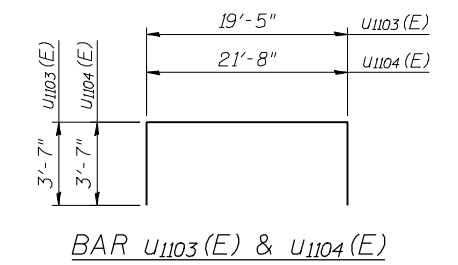
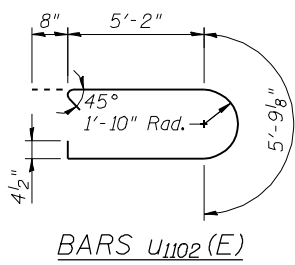
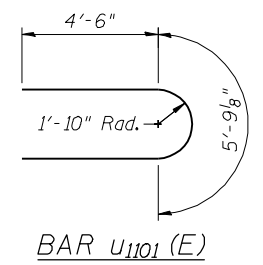
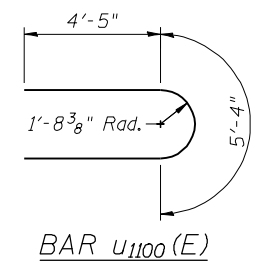
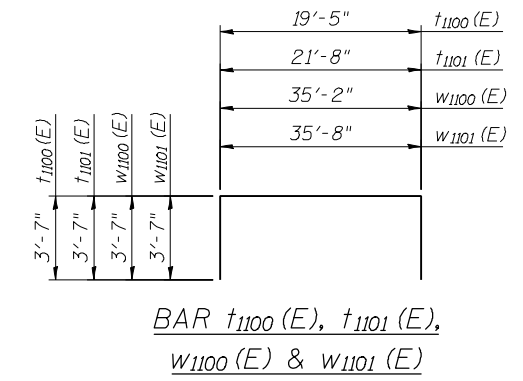
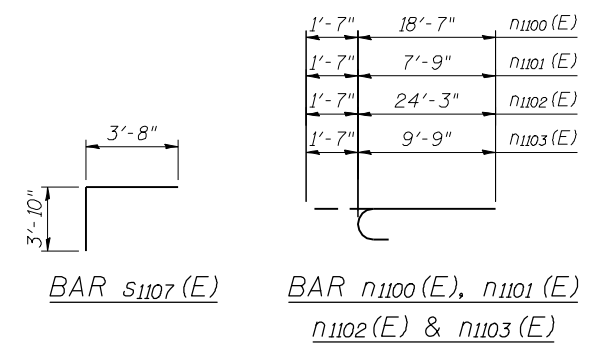
SECTION B-B



SECTION C-C

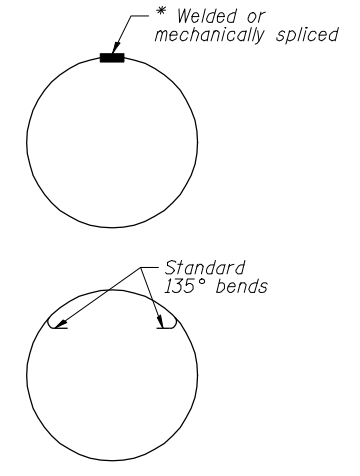


SECTION D-D



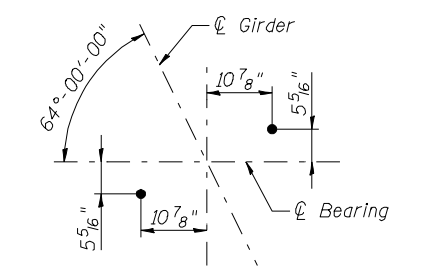
SEISMIC PILE DETAIL

Cast of 3/4" φ studs shall be included in item "Furnishing Steel Piles".



SEISMIC HOOP

* Shop welded per AWS D1.4.



ANCHOR BOLT LAYOUT

PIER 1 N.B. BILL OF MATERIAL

Bar	No.	Size	Length	Shape
n1100(E)	12	#6	40'-2"	—
n1101(E)	16	#6	19'-0"	—
n1102(E)	22	#6	28'-0"	—
n1103(E)	6	#7	35'-2"	—
p1100(E)	10	#10	40'-2"	—
p1101(E)	10	#10	31'-0"	—
p1102(E)	20	#10	17'-2"	—
p1103(E)	5	#6	22'-0"	—
s1100(E)	24	#5	9'-10"	□
s1101(E)	64	#5	10'-2"	□
s1102(E)	68	#5	14'-9"	□
s1103(E)	23	#5	5'-6"	□
s1104(E)	24	#4	11'-10"	○
s1105(E)	208	#4	4'-6"	—
s1106(E)	40	#6	11'-4"	—
s1107(E)	34	#6	7'-6"	—
s1108(E)	18	#5	11'-4"	□
sp1101(E)	3	#4	15'-10"	—
t1100(E)	124	#9	26'-7"	—
u1100(E)	14	#6	14'-2"	—
u1101(E)	16	#6	14'-9"	—
u1102(E)	22	#6	17'-2"	—
u1103(E)	6	#7	26'-7"	—
v1100(E)	36	#11	15'-3"	—
v1104(E)	36	#11	13'-3"	—
w1100(E)	48	#7	42'-4"	—
Structure Excavation		Cu. Yd.	317.1	
Concrete Structures		Cu. Yd.	215.6	
Reinforcement Bars, Epoxy Coated		Pound	53,200	
Furnishing Metal Shell Piles 14" x 0.312"		Foot	1519.0	
Driving Piles		Foot	1519.0	
Test Pile, 14" φ Shell		Each	1	

** Length is height of spiral.

PIER 2 N.B. BILL OF MATERIAL

Bar	No.	Size	Length	Shape
h1100(E)	12	#6	40'-2"	—
h1101(E)	16	#6	19'-0"	—
h1102(E)	34	#6	28'-0"	—
h1104(E)	6	#7	35'-8"	—
n1101(E)	36	#11	9'-4"	—
n1102(E)	132	#11	25'-10"	—
n1103(E)	36	#11	11'-4"	—
p1100(E)	10	#10	40'-2"	—
p1101(E)	10	#10	31'-0"	—
p1102(E)	20	#10	17'-2"	—
s1100(E)	24	#5	9'-10"	□
s1101(E)	64	#5	10'-2"	□
s1102(E)	56	#5	14'-9"	□
s1104(E)	24	#4	11'-10"	○
s1105(E)	256	#4	4'-6"	—
s1106(E)	40	#6	11'-4"	—
s1107(E)	34	#6	7'-6"	—
s1108(E)	20	#5	11'-4"	□
sp1101(E)	3	#4	14'-4"	—
t1101(E)	124	#9	28'-10"	—
u1100(E)	14	#6	14'-2"	—
u1101(E)	16	#6	14'-9"	—
u1102(E)	34	#6	17'-2"	—
u1104(E)	6	#7	28'-10"	—
v1101(E)	36	#11	13'-9"	—
v1105(E)	36	#11	11'-9"	—
w1101(E)	52	#7	42'-10"	—
Structure Excavation		Cu. Yd.	378.1	
Concrete Structures		Cu. Yd.	253.5	
Reinforcement Bars, Epoxy Coated		Pound	58360	
Furnishing Metal Shell Piles 14" x 0.312"		Foot	2860.0	
Driving Piles		Foot	2860.0	
Test Pile, 14" φ Shell		Each	1	

** Length is height of spiral.



USER NAME =	DESIGNED - N. KHATRI	REVISED -
PLOT DATE = 17-OCT-2012	CHECKED - R. RILEY	REVISED -
	DRAWN - E. KRACK	REVISED -
	CHECKED - N. KHATRI	REVISED -

STATE OF ILLINOIS
DEPARTMENT OF TRANSPORTATION

PIER DETAILS (N.B.)
STRUCTURE NO. 082-0334 (N.B.) & 082-0335 (S.B.)

F.A.P. RTE.	SECTION	COUNTY	TOTAL SHEETS	SHEET NO.
788	520-1-2HVB	ST. CLAIR	237	103
CONTRACT NO. 76848				

FILE NAME = 0820334-76848-046-Pier_Details(NB).dgn

SHEET NO. C46 OF 76 SHEETS

ILLINOIS FED. AID PROJECT