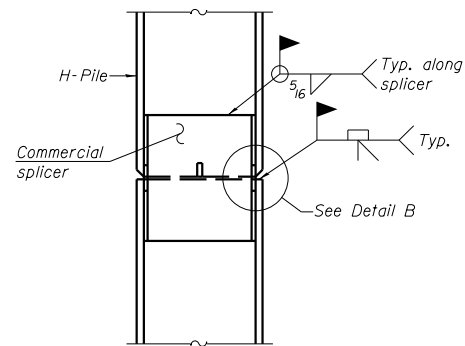
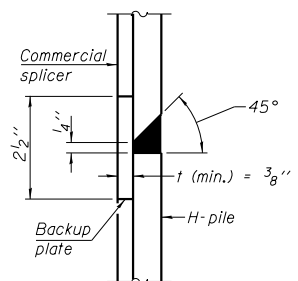


**STEEL PILE TABLE**

Designation	Depth <i>d</i>	Flange width <i>b<sub>f</sub></i>	Web and Flange thickness <i>t</i>	Encasement diameter <i>A</i>
HP 14x117	14 1/4"	14 7/8"	1 5/16"	30"
x102	14"	14 3/4"	1 1/16"	30"
x89	13 7/8"	14 3/4"	5/8"	30"
x73	13 5/8"	14 5/8"	1/2"	30"
HP 12x84	12 1/4"	12 1/4"	1 1/16"	24"
x74	12 1/2"	12 1/4"	5/8"	24"
x63	12"	12 1/8"	1/2"	24"
x53	11 3/4"	12"	7/16"	24"
HP 10x57	10"	10 1/4"	9/16"	24"
x42	9 3/4"	10 1/8"	7/16"	24"
HP 8x36	8"	8 1/8"	7/16"	18"

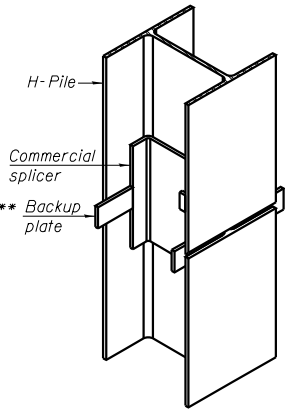


**ELEVATION**

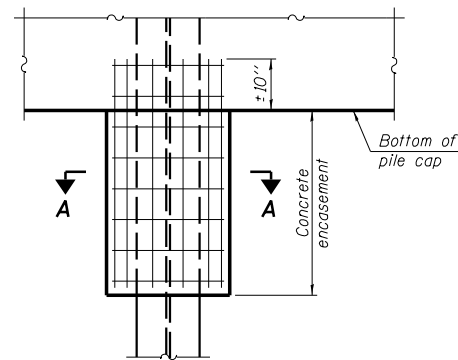


**DETAIL "B"**

**WELDED COMMERCIAL SPLICE**

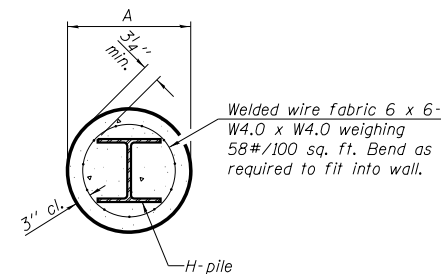


**ISOMETRIC VIEW**



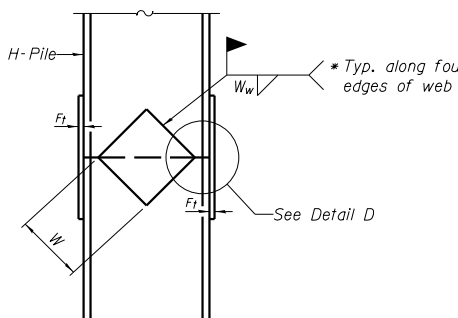
**ELEVATION**

**PILE ENCASEMENT**

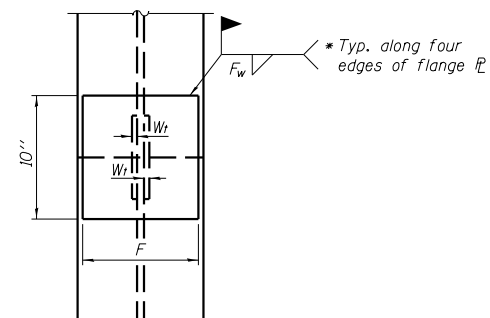


**SECTION A-A**

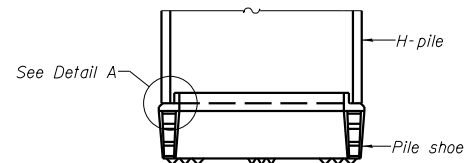
Note:  
Forms for encasement may be omitted when soil conditions permit.



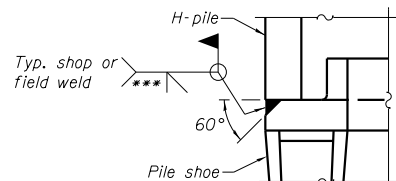
**ELEVATION**



**END VIEW**

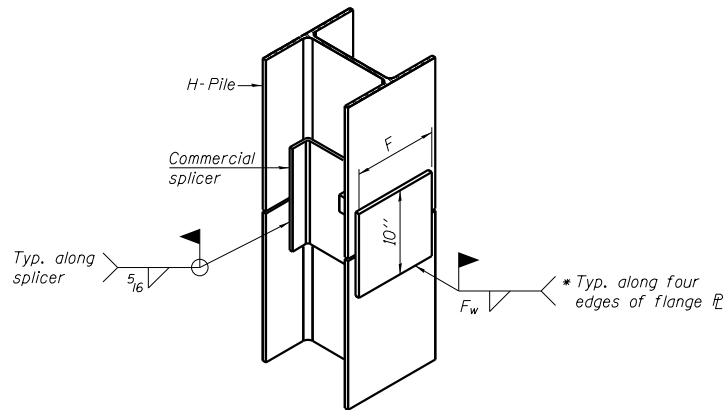


**ELEVATION**



**DETAIL A**

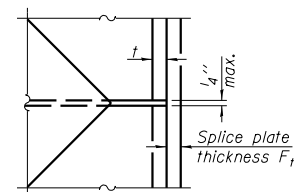
**H-PILE SHOE ATTACHMENT**



**ISOMETRIC VIEW**

**WELDED COMMERCIAL SPLICE ALTERNATE**

- \* Interrupt welds 1/4" from end of web and/or each flange.
- \*\* Remove portions of backup plates that extend outside the flanges.
- \*\*\* Weld size per pile shoe manufacturer (5/16" min.).



**DETAIL D**

**WELDED PLATE FIELD SPLICE**

Designation	<i>F</i>	<i>F<sub>t</sub></i>	<i>F<sub>w</sub></i>	<i>W</i>	<i>W<sub>t</sub></i>	<i>W<sub>w</sub></i>
HP 14x117	12 1/2"	1"	7/8"	7 3/4"	5 1/2"	1/2"
x102	12 1/2"	7/8"	3/4"	7 3/4"	5 1/2"	1/2"
x89	12 1/2"	3/4"	1/2"	7 3/4"	5 1/2"	1/2"
x73	12 1/2"	5/8"	3/8"	7 3/4"	5 1/2"	1/2"
HP 12x84	10"	7/8"	1/2"	6 1/2"	5 1/2"	1/2"
x74	10"	7/8"	1/2"	6 1/2"	5 1/2"	1/2"
x63	10"	5/8"	1/2"	6 1/2"	1/2"	3/8"
x53	10"	5/8"	1/2"	6 1/2"	1/2"	3/8"
HP 10x57	8"	3/4"	3/8"	5 1/4"	1/2"	3/8"
x42	8"	5/8"	3/8"	5 1/4"	1/2"	3/8"
HP 8x36	7"	5/8"	7/16"	4 1/4"	1/2"	3/8"

Note:  
The steel H-piles shall be according to AASHTO M270 Grade 50.

F-HP

1-27-12

**Farnsworth GROUP, INC.**  
2709 McGraw Drive  
Bloomington, Illinois 61704  
309/663-8435, 309/663-1571 fax

DESIGNED - TCR	REVISED
CHECKED - JML	REVISED
DRAWN - JWK/DJM	REVISED
CHECKED - MSW	REVISED

**STATE OF ILLINOIS  
DEPARTMENT OF TRANSPORTATION**

**HP PILE DETAILS  
STRUCTURE NO. 082-0314 NB & 082-0315 SB**

F.A.P. R.T.E.	SECTION	COUNTY	TOTAL SHEETS	SHEET NO.
788	520-1-2HVB-1	ST. CLAIR	237	167
<b>CONTRACT NO. 76848</b>				

SHEET NO. B34 OF 50 SHEETS

ILLINOIS FED. AID PROJECT