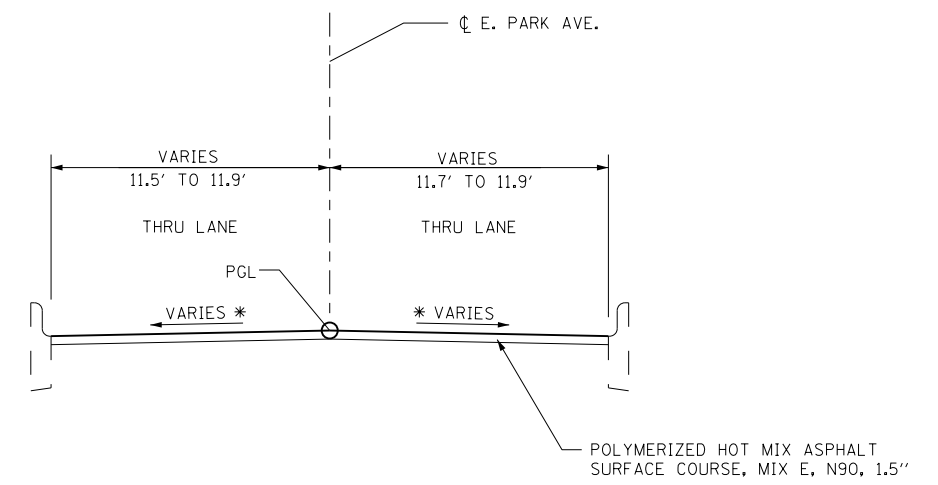


NOTE:
- FOR HMA SURFACE REMOVAL SEE PAVEMENT SCHEDULE.

NOTE:
- CONCRETE CURB TYPE B STA
63+05.79 RT TO STA 63+71.57 RT

TYPICAL SECTION - E. PARK AVE.

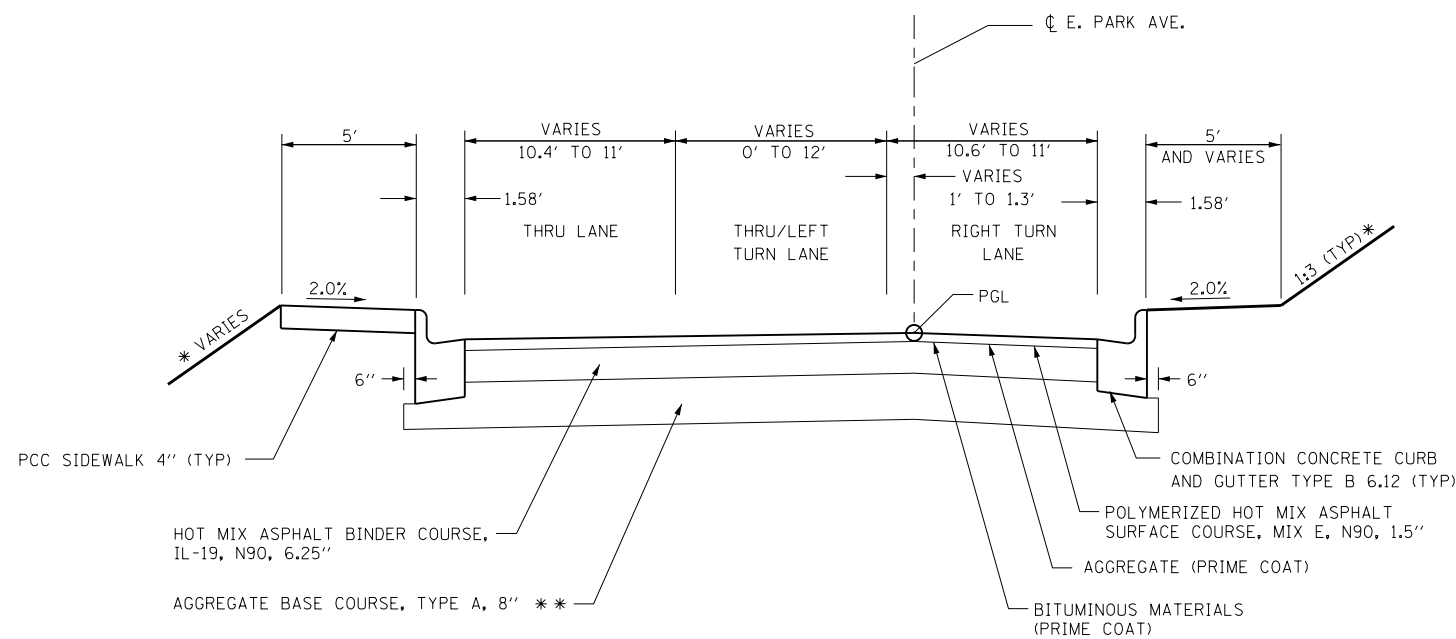
STA 63+05.79 TO STA 64+10.65



NOTE:
- FOR HMA SURFACE REMOVAL SEE PAVEMENT SCHEDULE.

TYPICAL SECTION - E. PARK AVE.

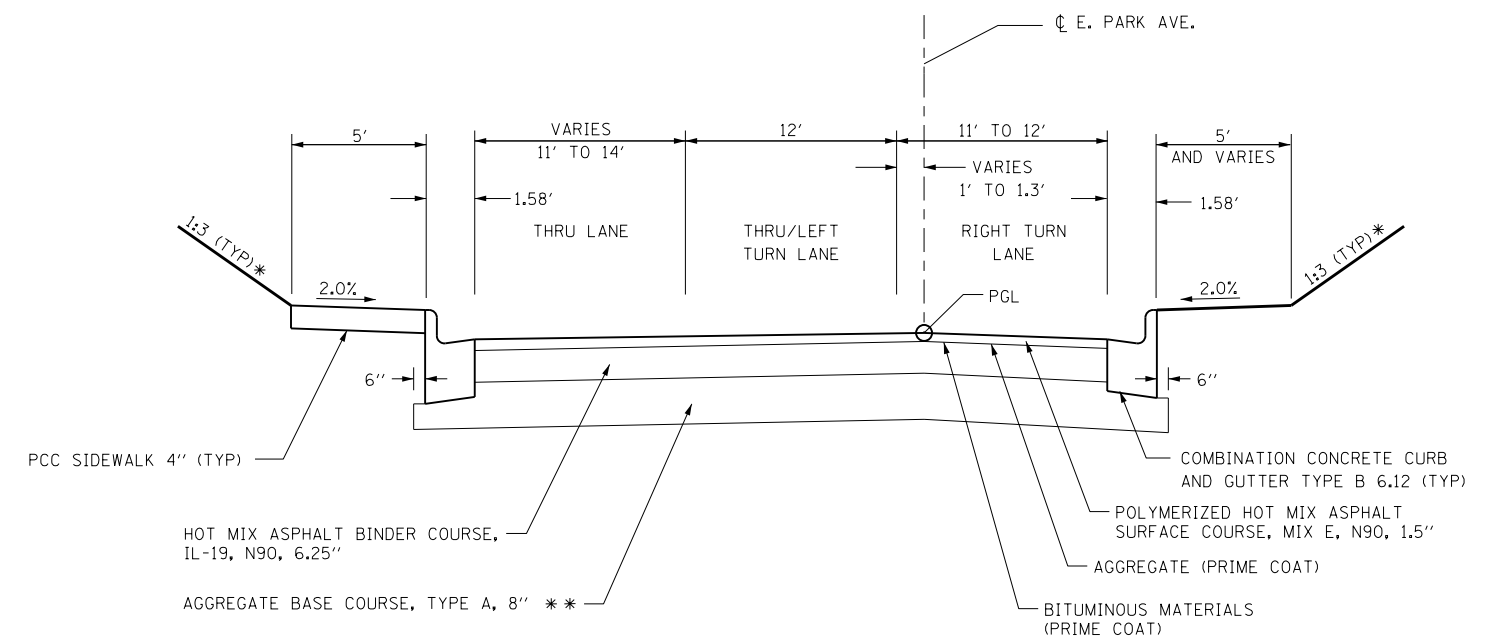
STA 64+10.65 TO STA 66+00.00



NOTE:
- SIDEWALK STARTS @ 67+76.48 LT

TYPICAL SECTION - E. PARK AVE.

STA 66+00.00 TO STA 68+00.00



NOTE:
- CONCRETE CURB AND GUTTER TYPE B 6.24
BEGINS AT 68+75 LT AND 69+07 RT

TYPICAL SECTION - E. PARK AVE.

STA 68+00.00 TO STA 70+00.00

* SEE CROSS SECTIONS AND/OR INTERSECTION DETAILS FOR SLOPE
** DEPTH SHOULD BE FIELD VERIFIED WITH A DCP AND ADJUSTED
ACCORDINGLY. MINIMUM THICKNESS IS SHOWN ON TYPICAL SECTION.

FILE NAME = P:\Projects\513501\CADD\DN\0876885-sh\typical.dgn	USER NAME = default	DESIGNED - CLS	REVISED -	STATE OF ILLINOIS DEPARTMENT OF TRANSPORTATION	PROPOSED TYPICAL SECTIONS SIDE ROADS			F.A.P. RTE. = 600	SECTION = 60-(30,31,128)-3	COUNTY = MADISON	TOTAL SHEETS = 529	SHEET NO. = 31
PLOT SCALE = 100.0000' / in.	CHECKED - MAM	REVISED -	SCALE: N/A					SHEET NO. 7 OF 10 SHEETS	STA. N/A	TO STA. N/A	CONTRACT NO. 76885	
PLOT DATE = 3/5/2013	DATE - 01/25/2013	REVISED -	ILLINOIS FED. AID PROJECT									