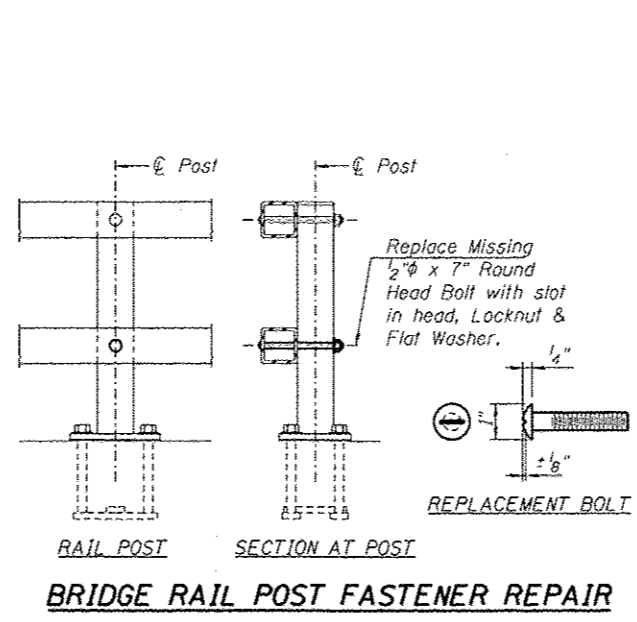


**ILLINOIS APPROACH - SPANS 15, 16 and 17**  
(All measurements are along Girder 4 (Roadway))

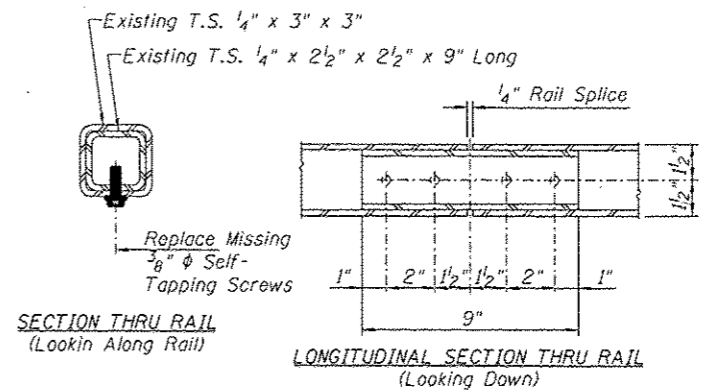
Note:  
 ☉ Brgs. @ Pier 16 are not radial lines. They are parallel to the radially placed ☉ of Pier 16 @ 1'-6" offsets.

**REPAIRS LIST - SPANS 15, 16 and 17**

I.D.	Description	Pay Item	Units	Quantity
062	Concrete Spall	Deck Slab Repair (Partial)	SQ. YD.	0.11
063	Concrete Spall	Deck Slab Repair (Partial)	SQ. YD.	0.33
064	Concrete Spall	Deck Slab Repair (Partial)	SQ. YD.	0.11
065	Concrete Spall	Deck Slab Repair (Partial)	SQ. YD.	1.14
066	Concrete Spall	Deck Slab Repair (Partial)	SQ. YD.	0.48
067	Concrete Spall	Deck Slab Repair (Partial)	SQ. YD.	0.78
068	Concrete Spall	Deck Slab Repair (Partial)	SQ. YD.	0.44
069	Concrete Spall	Deck Slab Repair (Partial)	SQ. YD.	2.33
070	Concrete Spall	Deck Slab Repair (Partial)	SQ. YD.	0.25
* 006	Missing Fasteners Bridge Rail Splice	-	-	-
* 007	Missing Fasteners Bridge Rail Splice	-	-	-
-	-	-	-	-
-	-	-	-	-
-	-	-	-	-
-	-	-	-	-
-	-	-	-	-
-	-	-	-	-
-	-	-	-	-
-	-	-	-	-
-	-	-	-	-
-	-	-	-	-
-	-	-	-	-
-	-	-	-	-
-	-	-	-	-
-	-	-	-	-
-	-	-	-	-
-	-	-	-	-
-	-	-	-	-
-	-	-	-	-
-	-	-	-	-
-	-	-	-	-
-	-	-	-	-
-	-	-	-	-
-	-	-	-	-
-	-	-	-	-
-	-	-	-	-

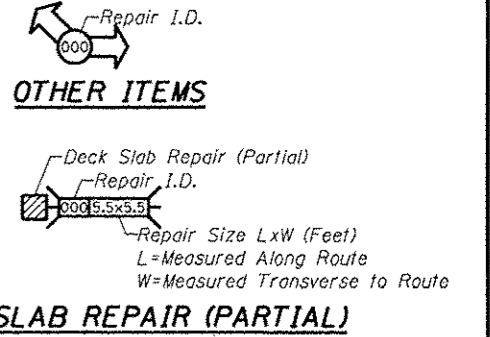


**BRIDGE RAIL POST FASTENER REPAIR**



**BRIDGE RAIL SPLICE FASTENER REPAIR**

Note:  
 When necessary reposition interior splice sleeve by realigning the sleeve and rail holes for either side prior to installing new fasteners. Install 2 fasteners on one side only. Fasteners shall be self tapping galvanized screws of sufficient diameter to relap any damaged screw holes and provide a tight connection.  
 \* Cost for repairing existing bridge rail splice shall be included in the Cost of Deck Slab Repair (Partial).



**DECK SLAB REPAIR (PARTIAL)**

DESIGNED -	EXAMINED _____	DATE - _____
CHECKED -	ENGINEER OF STRUCTURAL SERVICES	
DRAWN Rod	PASSED _____	
CHECKED MNM	ENGINEER OF BRIDGES AND STRUCTURES	

**STATE OF ILLINOIS  
DEPARTMENT OF TRANSPORTATION**

**REPAIRS TO - DECK SLAB and PARAPETS - SPANS 15, 16 and 17  
STRUCTURE NO. 060-0255**

SHEET NO. 11 OF 48 SHEETS

F.A.P. RTE. 304	SECTION 100B-10S-1	COUNTY MADISON	TOTAL SHEETS 58	SHEET NO. 21
CONTRACT NO. 76E73				
ILLINOIS FED. AID PROJECT				