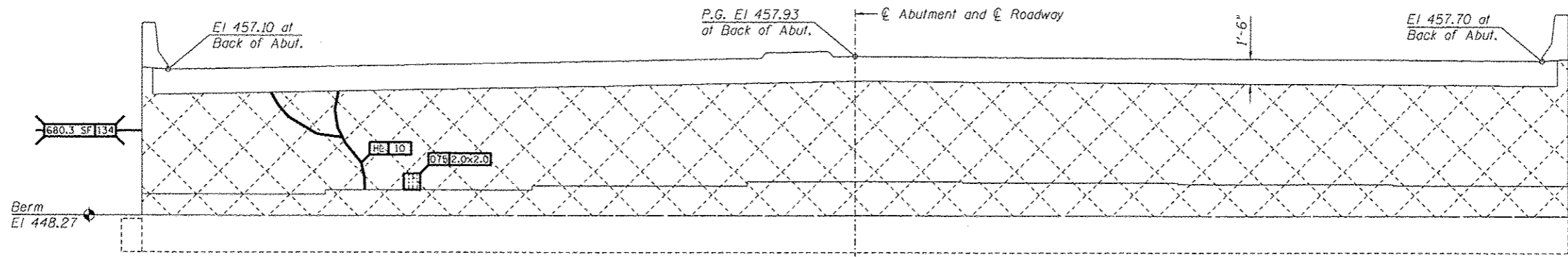
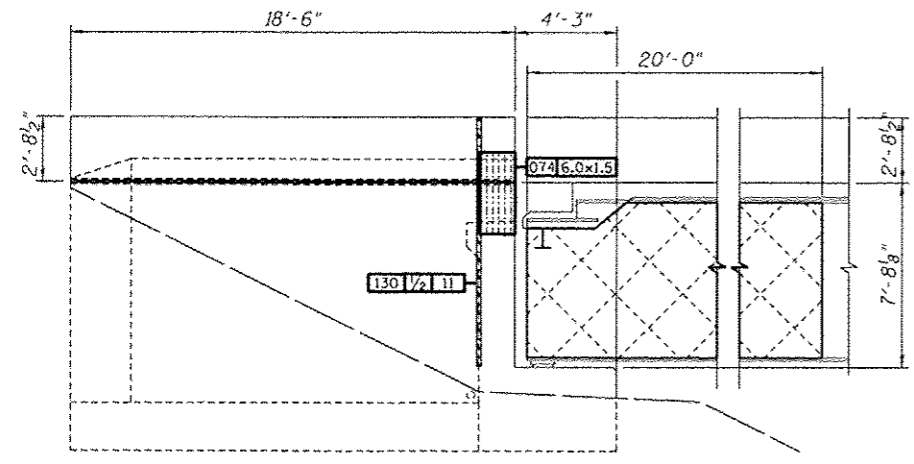


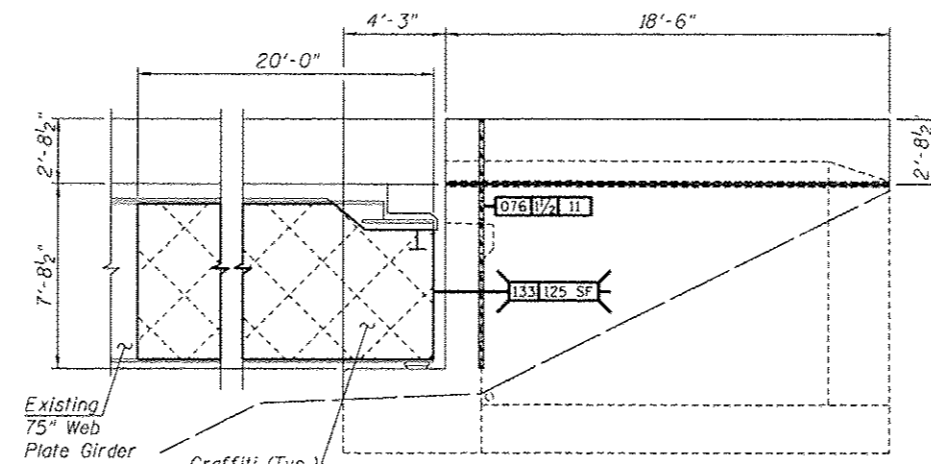
TOP PLAN



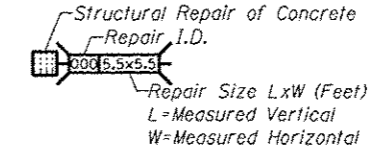
ELEVATION
Looking North



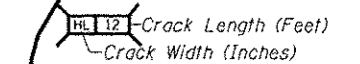
WINGWALL ELEVATION
West Wing



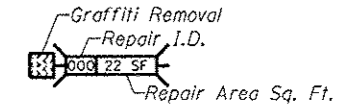
WINGWALL ELEVATION
East Wing



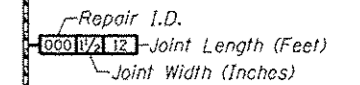
STRUCTURAL REPAIR OF CONCRETE



CRACKS < 1/16"
Hairline Cracks (HL) or Cracks < 1/16" not to be Sealed.



GRAFFITI REMOVAL



POLYURETHANE SEALANT

Note:
Sealant shall be Non-staining gray one component non-sag elastomeric gun grade polyurethane sealant meeting the requirements of ASTM C-920, Type S, Grade NS, Class 25, use T, with a 5/8" backer rod.

REPAIRS LIST - NORTH ABUTMENT

| I.D. | Description | Pay Item | Units | Quantity |
|------|--------------------------------------|--|---------|----------|
| 074 | Delamination West End Backwall | Structural Repair of Concrete (Depth equal to or less than 5 Inches) | SQ. FT. | 9.0 |
| 075 | Spall on Backwall Near Girder 2 Brg. | Structural Repair of Concrete (Depth equal to or less than 5 Inches) | SQ. FT. | 4.0 |
| 076 | Backwall / Wingwall East End | Polyurethane Sealant | FOOT | 11 |
| 130 | Backwall / Wingwall West End | Polyurethane Sealant | FOOT | 11 |
| 133 | Beams 1-7, Each Web Face | Graffiti Removal | SQ. YD. | 194.4 |
| 134 | Backwall and Front Face Cap | Graffiti Removal | SQ. YD. | 75.6 |

| | | |
|-------------|------------------------------------|------|
| DESIGNED | EXAMINED | DATE |
| CHECKED | ENGINEER OF STRUCTURAL SERVICES | |
| DRAWN Rod | PASSED | |
| CHECKED MNM | ENGINEER OF BRIDGES AND STRUCTURES | |

STATE OF ILLINOIS
DEPARTMENT OF TRANSPORTATION

REPAIRS TO - NORTH ABUTMENT
STRUCTURE NO. 060-0255

| | | | | |
|---------------------------|------------|---------|--------------|-----------|
| F.A.P. RTE. | SECTION | COUNTY | TOTAL SHEETS | SHEET NO. |
| 304 | 1008-10S-1 | MADISON | 58 | 27 |
| CONTRACT NO. 76E73 | | | | |
| ILLINOIS FED. AID PROJECT | | | | |