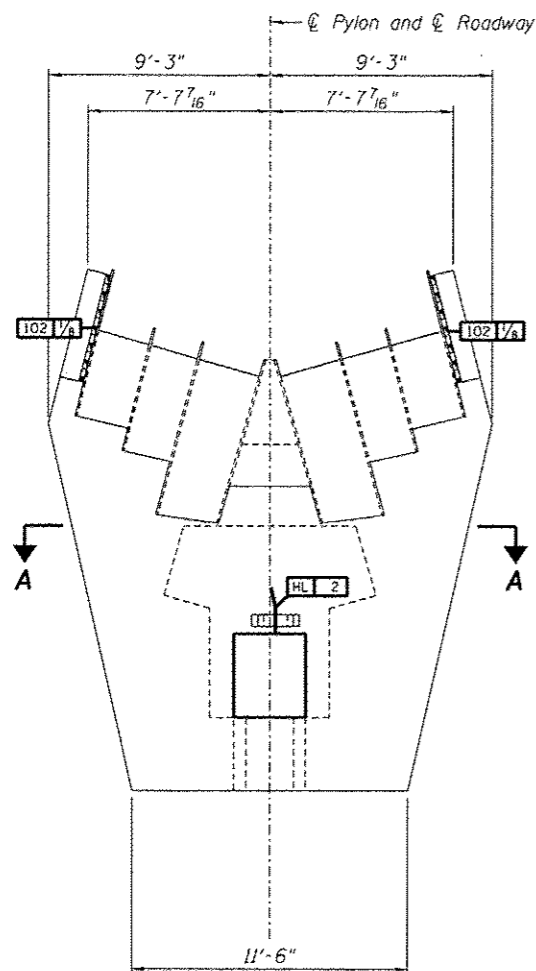
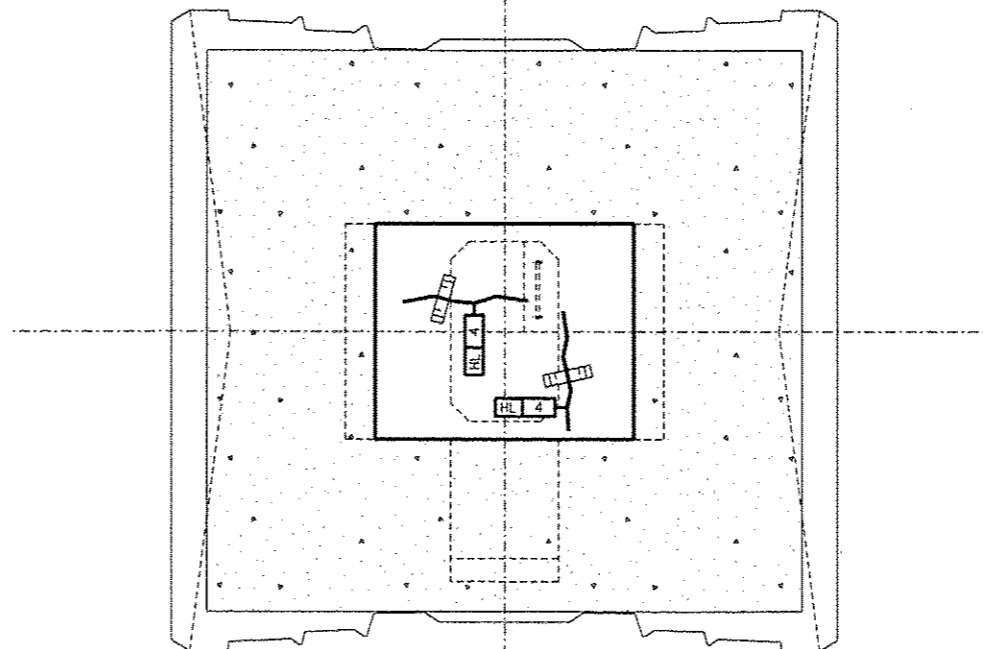


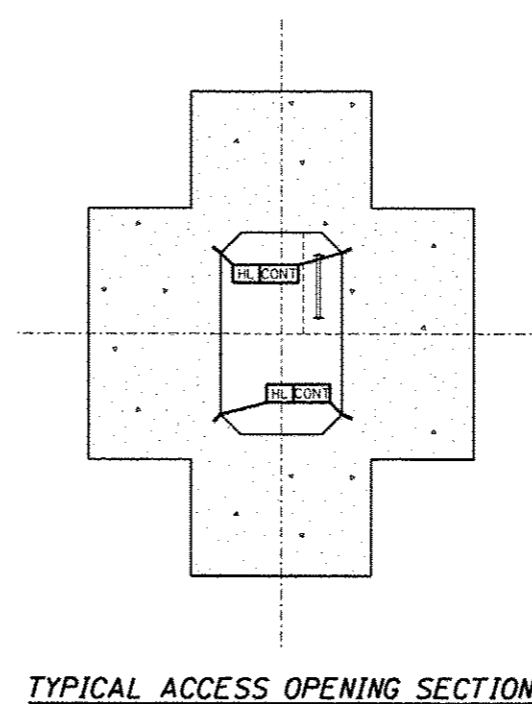
PLAN - STAY SADDLES



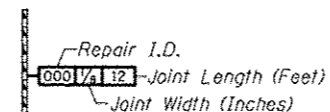
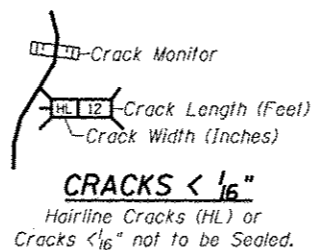
ELEVATION - NORTH FACE



SECTION A-A  
ACCESS SPACE CEILING



TYPICAL ACCESS OPENING SECTION  
(Taken at Elev. 613.00)



Note:  
 Sealant shall be Non-staining gray one component non-sag elastomeric gun grade polyurethane sealant meeting the requirements of ASTM C-920, Type S, Grade NS, Class 25.

REPAIRS LIST - PIER 9 - PYLON HEAD

I.D.	Description	Pay Item	Units	Quantity
102	Failed Sealant Btwn. Saddle Stl. & Conc.	Polyurethane Sealant	FOOT	40.8
-	-	-	-	-
-	-	-	-	-
-	-	-	-	-
-	-	-	-	-

DESIGNED	EXAMINED	DATE	STATE OF ILLINOIS DEPARTMENT OF TRANSPORTATION		REPAIRS TO - MISSOURI PYLON (PIER 9) - HEAD & ACCESS SPACES STRUCTURE NO. 060-0255		F.A.P. RTE. 304	SECTION 100B-10S-1	COUNTY MADISON	TOTAL SHEETS 58	SHEET NO. 43
CHECKED	ENGINEER OF STRUCTURAL SERVICES										
DRAWN Rod	PASSED		CONTRACT NO. 76E73		SHEET NO. 33 OF 48 SHEETS		ILLINOIS FED. AID PROJECT				
CHECKED MNM	ENGINEER OF BRIDGES AND STRUCTURES										