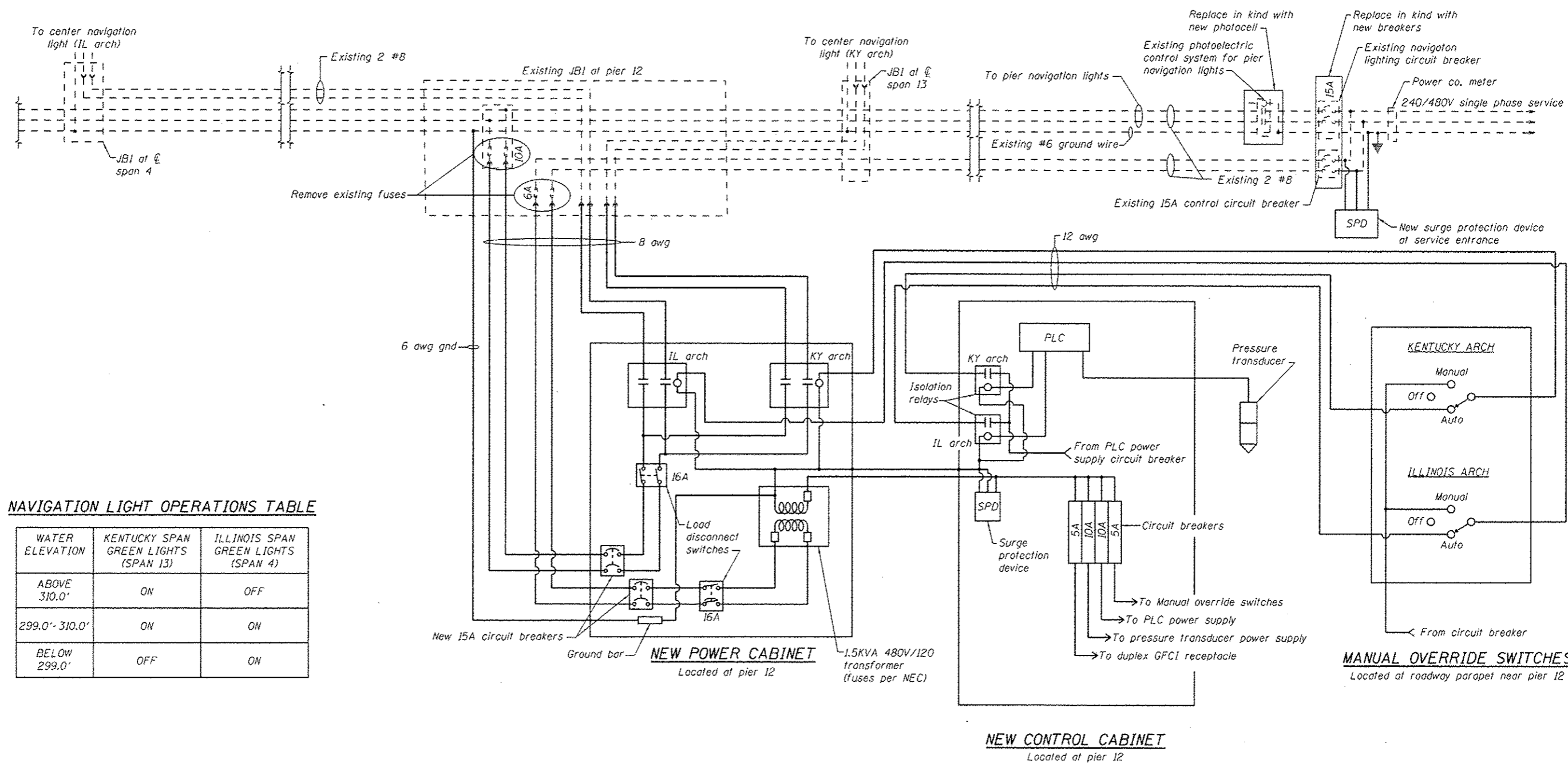


LEGEND

- - - Existing wiring, conduits and junction boxes
- New wiring, conduits and cabinets



NAVIGATION LIGHT OPERATIONS TABLE

WATER ELEVATION	KENTUCKY SPAN GREEN LIGHTS (SPAN 13)	ILLINOIS SPAN GREEN LIGHTS (SPAN 4)
ABOVE 310.0'	ON	OFF
299.0' - 310.0'	ON	ON
BELOW 299.0'	OFF	ON

NOTES:

1. See special provisions for additional requirements not shown.



USER NAME *	DESIGNED - CDV, DECEMBER 2011	REVISED - CDV, APRIL 2013
	CHECKED - LVB, DECEMBER 2011	REVISED - LVB, APRIL 2013
PLOT SCALE *	DRAWN - RSJ, DECEMBER 2011	REVISED - RSJ, APRIL 2013
PLOT DATE = MARCH, 2013	CHECKED - CDV, DECEMBER 2011	REVISED - CDV, APRIL 2013

**STATE OF ILLINOIS
DEPARTMENT OF TRANSPORTATION**

**NAVIGATION LIGHT AUTOMATIC CONTROLS
WIRING DETAILS**

SHEET NO. 2 OF 5 SHEETS

F.A.I. RTE.	SECTION	COUNTY	TOTAL SHEETS	SHEET NO.
24	(64-3B)(-1)	MASSAC	7	4
CONTRACT NO. 78273			ILLINOIS FED. AID PROJECT	