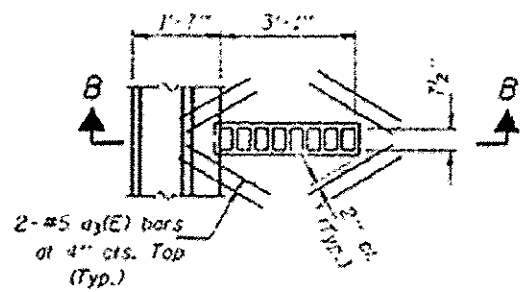


NEAR PIER

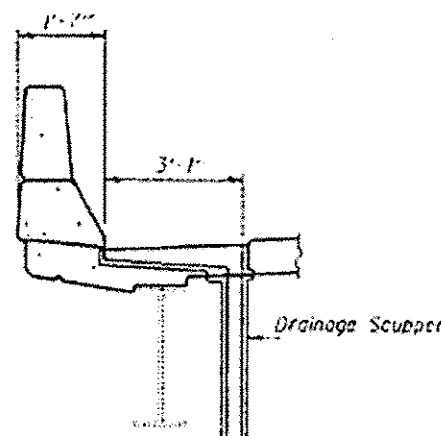
CROSS SECTION

NEAR MIDSPAN

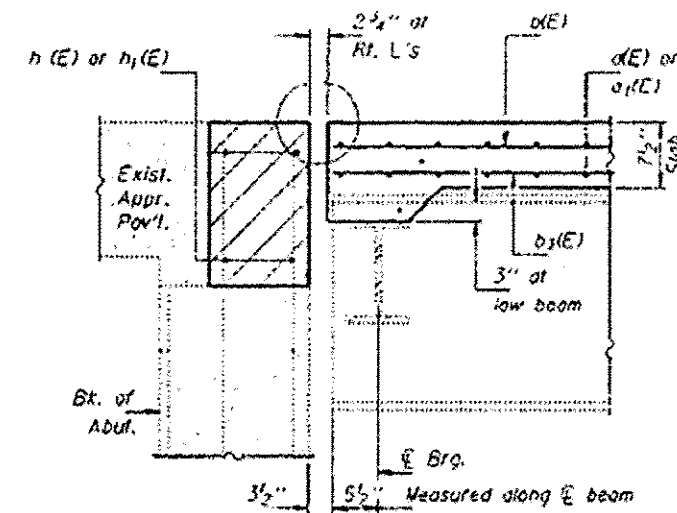


PLAN

DRAIN SCUPPER



SECTION B-B



SECTION A-A

FOR INFORMATION ONLY

FILE NAME #	USER NAME # gautneyrk	DESIGNED -	REVISED -
o:\p\work\p\dot\gautneyrk\d831\866\78	41-whit-plandgn	DRAWN -	REVISED -
MODEL NAME #	PLOT SCALE = 48.0000 / in.	CHECKED -	REVISED -
	PLOT DATE = 3/11/2013	DATE -	REVISED -

STATE OF ILLINOIS
DEPARTMENT OF TRANSPORTATION

028-0059
IL 154 OVER I-57

FBI RTE.	SECTION	COUNTY	TOTAL SHEET
57	09 BRIDGE PAINT 2013-1	*	23 11.
			CONTRACT NO. 78355
ILLINOIS FED. AID PROJECT			

*FRANKLIN & WILLIAMSON