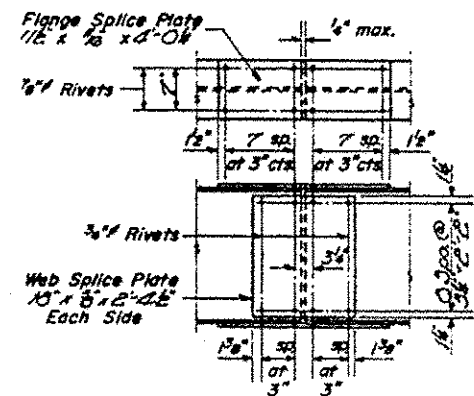
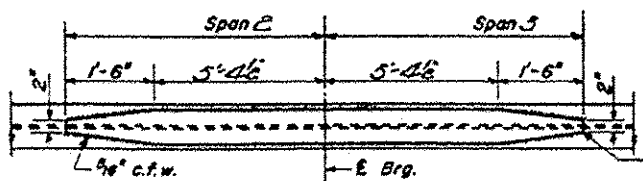


FRAMING PLAN



DETAIL OF SPLICE

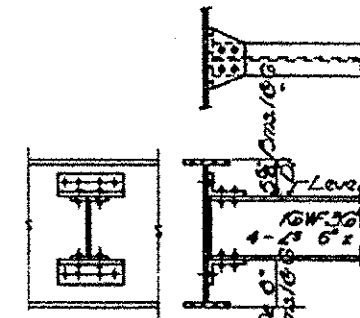
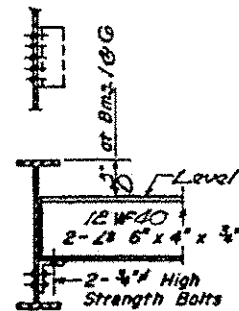


DETAIL OF COVER PLATE

Cover Plate
10" x 5"
Top & Bottom

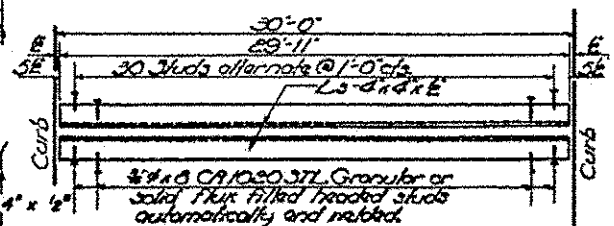


DIAPHRAGM D



DIAPHRAGM 3 D/G/D2

45-DI-Required
15-D2-Required



EXPANSION GUARD DETAIL

FOR INFORMATION ONLY

FILE NAME =	USER NAME = gautneyrk	DESIGNED -	REVISED -	STATE OF ILLINOIS DEPARTMENT OF TRANSPORTATION	028-0059 IL 154 OVER I-57	FBI	SECTION	COUNTY	TOTAL SHEETS	SHEET NO.	
ci:\pov_work\povdot\gautneyrk\08219666\7841-wtr-plan.dgn	PLOT SCALE = 48.0000 / 1 in.	DRAWN -	REVISED -			57	D9 BRIDGE PAINT 2013-1	*	23	12	
#MODELNAME#	PLOT DATE = 3/11/2013	CHECKED -	REVISED -			CONTRACT NO. 78355					
		DATE -	REVISED -			ILLINOIS FED. AID PROJECT					