

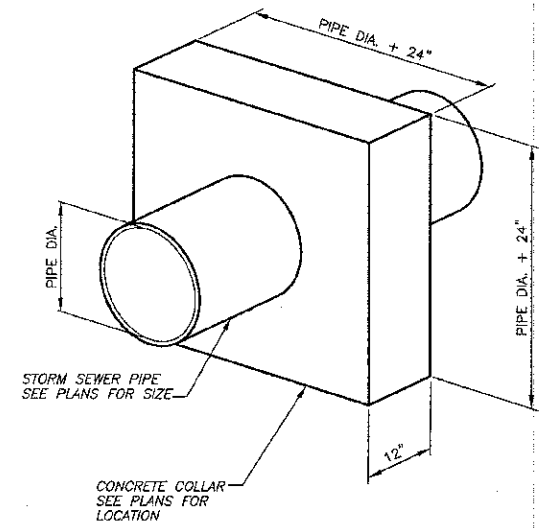
CONTRACT NO. 99394

### DETAILS OF CONCRETE COLLAR

NO SCALE

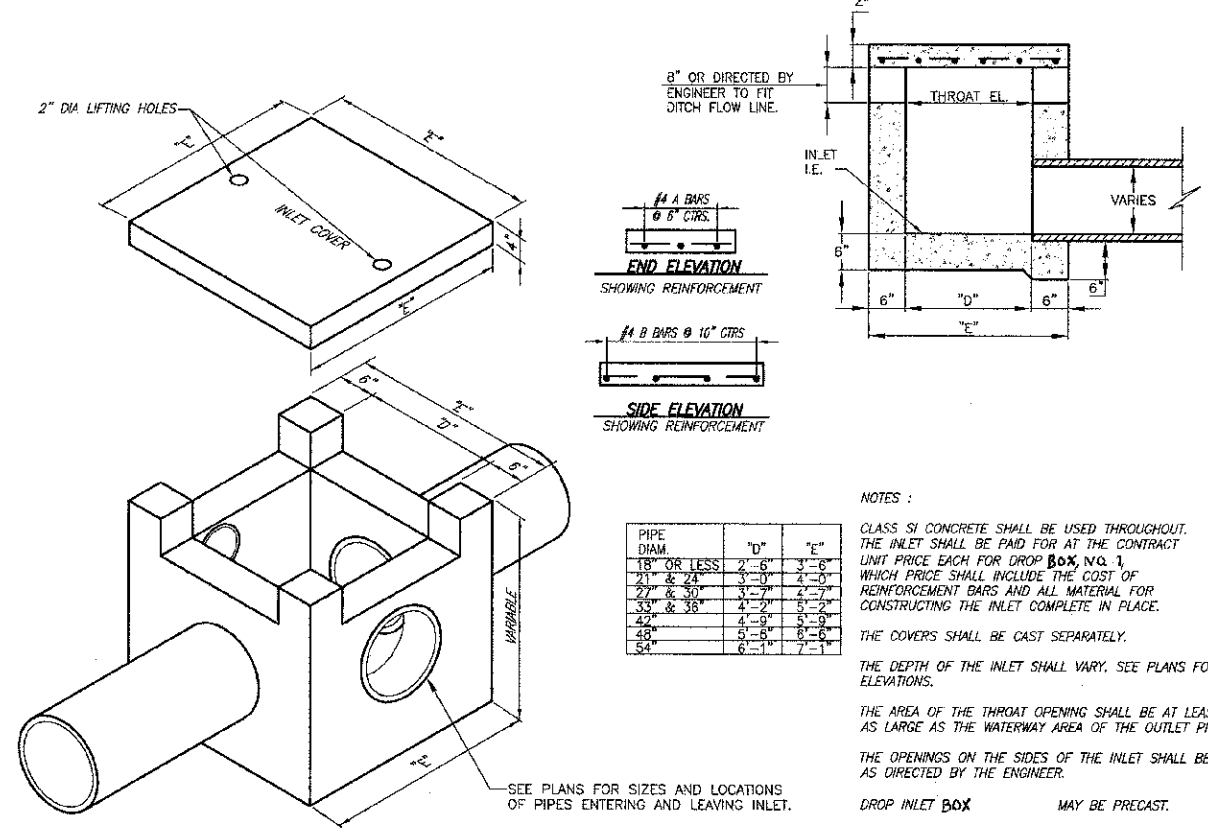
CLASS SI CONCRETE SHALL BE USED FOR THE CONCRETE COLLAR. CONCRETE COLLARS SHALL BE PAID AT THE CONTRACT UNIT PRICE PER CUBIC YARD OF CONCRETE COLLAR, WHICH PRICE SHALL INCLUDE ALL EXCAVATION, CONCRETE, FORMWORK AND LABOR TO INSTALL THE CONCRETE COLLAR COMPLETE IN PLACE.

PIPE DIA.	CU YD
12"	0.23
15"	0.26
18"	0.28
24"	0.33
30"	0.39
36"	0.45
42"	0.52
48"	0.59
54"	0.67
60"	0.75



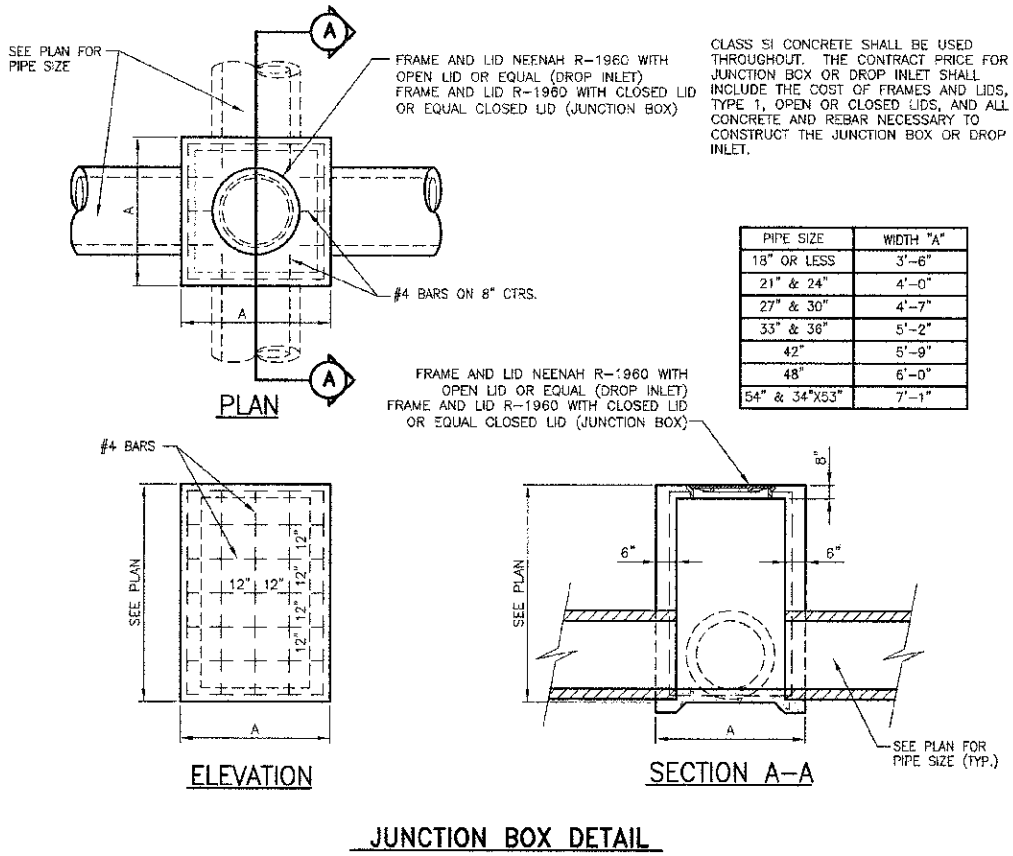
### DETAILS OF DROP INLET, SPECIAL

N.T.S.



PIPE DIAM.	"D"	"E"
18" OR LESS	2'-6"	3'-6"
21" & 24"	3'-0"	4'-0"
27" & 30"	3'-7"	4'-7"
33" & 36"	4'-2"	5'-2"
42"	4'-9"	5'-9"
48"	5'-5"	6'-6"
54"	6'-1"	7'-1"

NOTES:  
 CLASS SI CONCRETE SHALL BE USED THROUGHOUT. THE INLET SHALL BE PAID FOR AT THE CONTRACT UNIT PRICE EACH FOR DROP BOX, NO. 1, WHICH PRICE SHALL INCLUDE THE COST OF REINFORCEMENT BARS AND ALL MATERIAL FOR CONSTRUCTING THE INLET COMPLETE IN PLACE.  
 THE COVERS SHALL BE CAST SEPARATELY.  
 THE DEPTH OF THE INLET SHALL VARY. SEE PLANS FOR ELEVATIONS.  
 THE AREA OF THE THROAT OPENING SHALL BE AT LEAST AS LARGE AS THE WATERWAY AREA OF THE OUTLET PIPE.  
 THE OPENINGS ON THE SIDES OF THE INLET SHALL BE AS DIRECTED BY THE ENGINEER.  
 DROP INLET BOX MAY BE PRECAST.

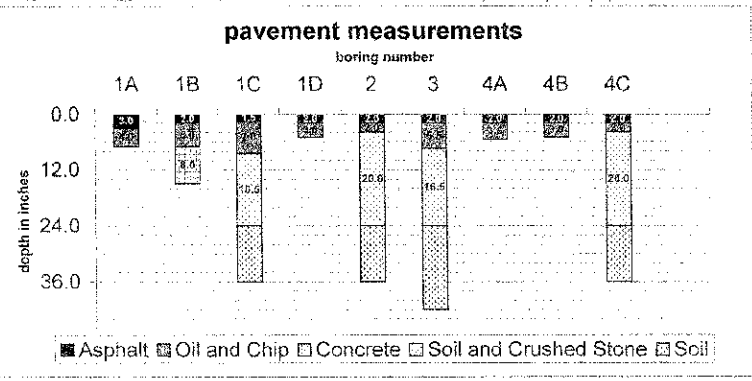


### JUNCTION BOX DETAIL

#### HOLCOMB FOUNDATION ENGINEERING CO.

Pavement Thickness Measurements  
Morgan Ave. Marion, Illinois

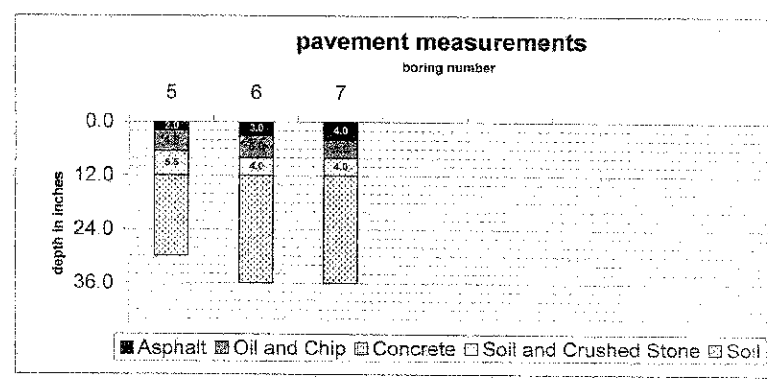
Boring Location (Offset)	Asphalt Thickness (in.)	Oil & Chip Thickness (in.)	Concrete Thickness (in.)	Crushed Stone and CLAY (in.)	Soil Description	Soil Data N QU MC
1A	3.0	4.0				
1B	2.0	5.0				
1C	1.5	7.0		15.6	Gray Silty CLAY (CL) w/sand	13 1.8 21
1D	2.0	3.0				
2	2.0	2.0		20.0	Gray Silty CLAY (CL) w/sand+binders	22 2.8 28
3	2.0	5.5		18.5	Gray-Brown Silty CLAY (CL)	12 1.5 19
4A	2.0	3.5				
4B	2.0	3.0				
4C	2.0	2.0		20.0	Gray-Brown Silty CLAY (CL)	13 1.7 29



#### HOLCOMB FOUNDATION ENGINEERING CO.

Pavement Thickness Measurements  
Russell St. Marion, Illinois

Boring Location (Offset)	Asphalt Thickness (in.)	Oil & Chip Thickness (in.)	Concrete Thickness (in.)	Crushed Stone and CLAY (in.)	Soil Description	Soil Data N QU MC
5	2.0	4.5		5.5	Gray-Brown Silty CLAY (CL)	17 3.2 15
6	3.0	5.0		4.0	Gray Silty CLAY (CL)	9 1.4 27
7	4.0	4.0		4.0	Gray-Brown Sandy CLAY (CL)	9 3.1 25



#### IMMEDIATE BEARING VALUES

MORGAN AVE. AND RUSSELL ST. MARION, ILLINOIS

LOCATION	BLOWCOUNTS BY DEPTH			IMMEDIATE BEARING VALUE			STATION
	0.0"-12.0"	12.0"-24.0"	24.0"-36.0"	0.0"-12.0"	12.0"-24.0"	24.0"-36.0"	
BORING 1	6.0	6.0	4.0	2.0	2.0	3.0	BORING 1
BORING 4	9.0	12.0	25.0	3.0	7.0	17.0	BORING 4
BORING 7	2.0	4.0	9.0	0.5	1.0	2.0	BORING 7

STATE OF ILLINOIS PROFESSIONAL DESIGN FIRM LICENSE NO. 184-000872

REVISIONS

DATE	NO.

© 2013 ALL RIGHTS RESERVED  
**CLARIDA & ZIEGLER ENGINEERING CO.**  
 308 South Court St. P.O. Box 937  
 Marion, Illinois 62959  
 Phone - (618)993-6411, Fax - (618)993-6750

MISCELLANEOUS DETAILS & BORING LOGS  
 MORGAN AVE. IMPROVEMENTS  
 MARION, ILLINOIS

Date: 2/27/13 DR. By: TW CK'D By: HGC  
 Scale: NONE Job No. 08195 Sheet No. 35 of 45