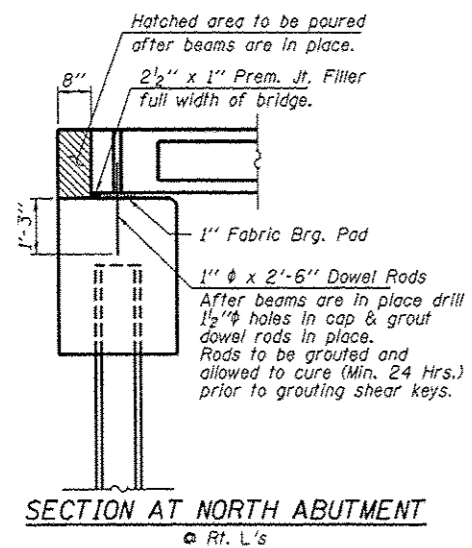


DETAIL A



| | | | | | | | | | | | |
|--|----------------------|-------------------|-----------|---|--|---------------------------|--------------------|--------|----------------------------|-----------|--|
| FILE NAME * 120057-ahb-bridge.dgn | USER NAME * | DESIGNED - D.W.T. | REVISED - | STATE OF ILLINOIS HARDIN COUNTY HIGHWAY DEPARTMENT | SUPERSTRUCTURE DETAILS STRUCTURE NO. 035-3052 | T.R. | SECTION | COUNTY | TOTAL SHEETS | SHEET NO. | |
| HAMPTON, LENZINI AND RENWICK, INC. 2040 STEVENSON DRIVE, SUITE 201 SPRINGFIELD, ILLINOIS 62761 | PLOT SCALE * | CHECKED - S.W.M. | REVISED - | | | 97 | 07-01161-00-BR | HARDIN | 15 | 8 | |
| ILLINOIS PROFESSIONAL DESIGN FIRM 131 P.E. 138 CORP. 184-200916 | PLOT DATE * 3/1/2013 | DRAWN - D.A.B. | REVISED - | | | COUNTY UNIT ROAD DISTRICT | CONTRACT NO. 99491 | | ILLINOISIFIED, AHD PROJECT | | |
| | | CHECKED - S.W.M. | REVISED - | | | SHEET NO. 4 OF 11 SHEETS | | | | | |