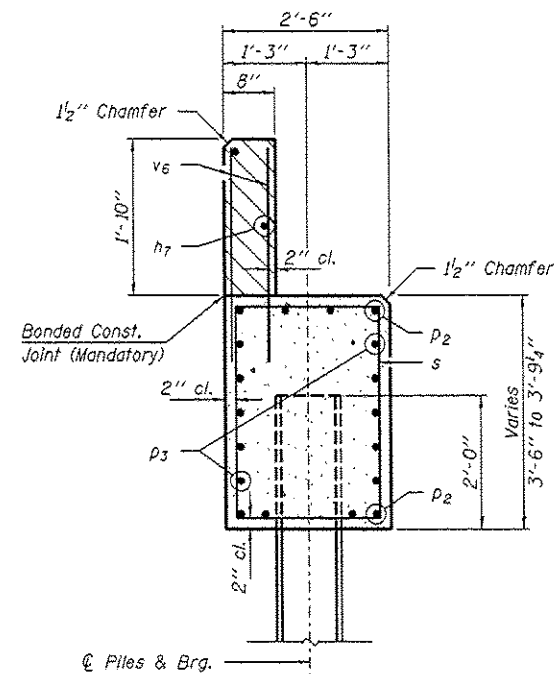
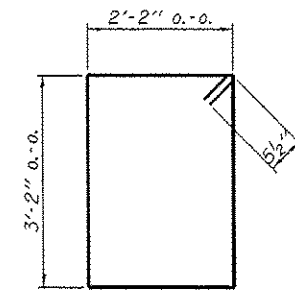


PLAN

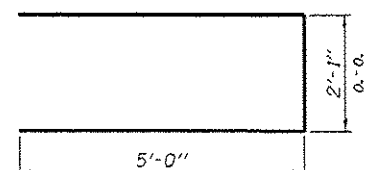


SECTION A-A

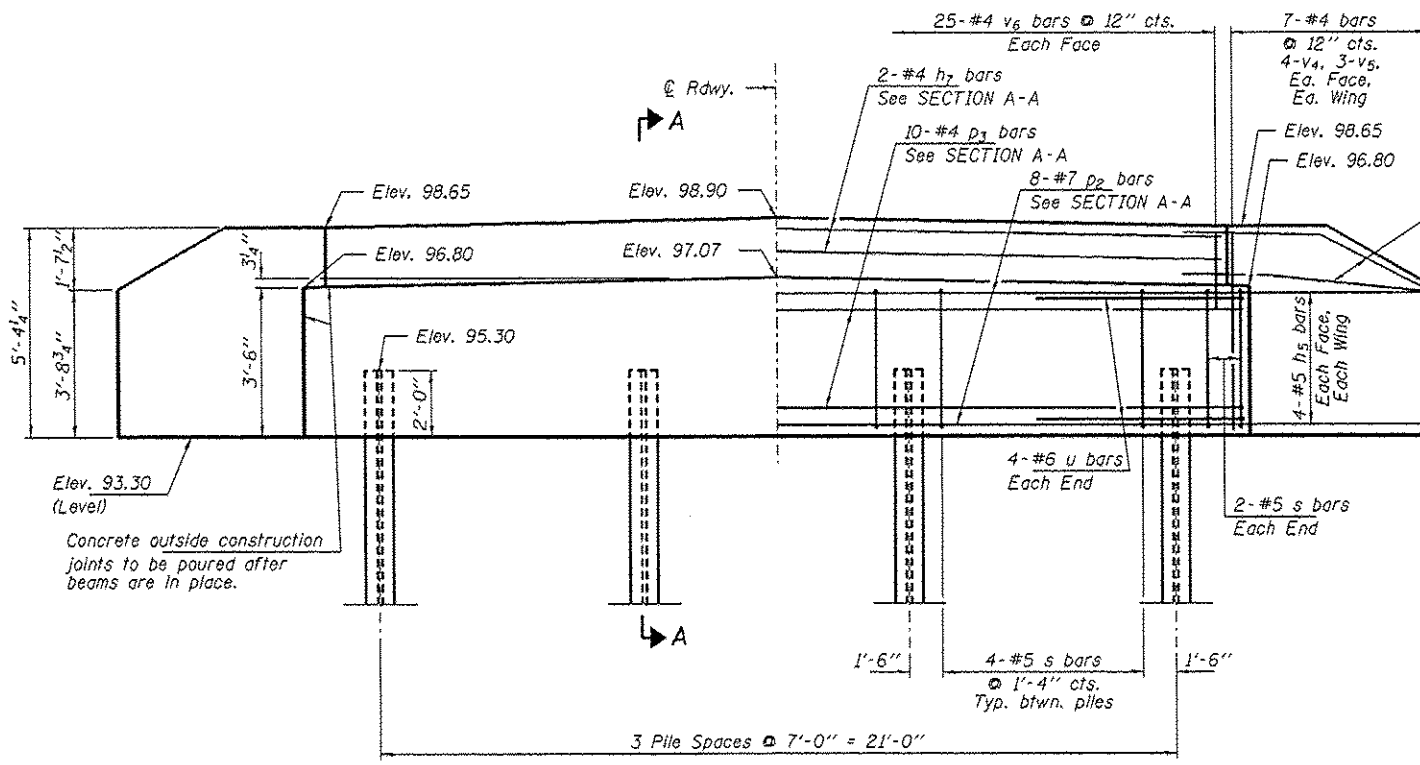
Hatched area to be poured after beams are in place.



BAR s



BAR u



ELEVATION

Note: Extend h5 bars into abutment oop.

Fan 2-#5 h5 bars (B.F.)
Fan 2-#5 h5 bars (F.F.)

Each Wing Band in field.

PILE DATA

Type ----- Steel HP12x53
 No. Req'd. (N. Abut.) ----- 4
 Factored Resistance Available (RF) ----- 230 Kips/Pile
 Nominal Required Bearing (Rn) ----- 418 Kips/Pile
 Est. Length ----- 55 Ft/Pile

Notes: * Includes one test pile to be driven in a permanent location at the North Abutment.

The test piles shall be driven to 110 percent of the Nominal Required Bearing Indicated in the pile data Information.

BILL OF MATERIAL - N. ABUT.

BAR	NO.	SIZE	LENGTH	SHAPE
h5	20	#5	8'-6"	—
h6	4	#5	7'-0"	—
h7	2	#4	25'-2"	—
p2	8	#7	25'-2"	—
p3	10	#4	25'-2"	—
s	16	#5	11'-7"	□
u	8	#6	12'-1"	—
v4	16	#4	5'-0"	—
v5	12	#4	3'-5"	—
v6	50	#4	2'-8"	—
Concrete Structures			Cu. Yd.	11.8
Reinforcement Bars			Pound	1,330
Steel Piles HP12x53			Foot	165
Test Pile Steel HP12x53			Each	1
Name Plates			Each	1