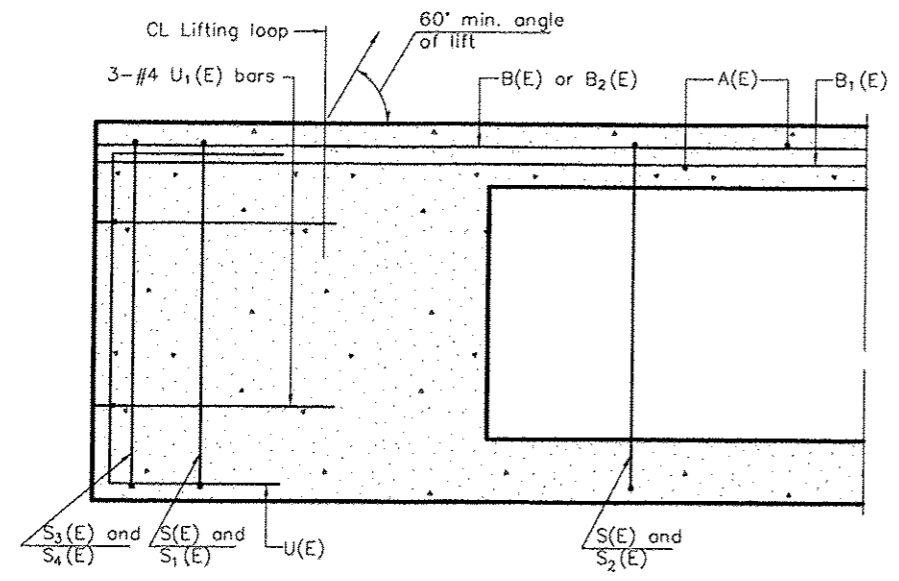
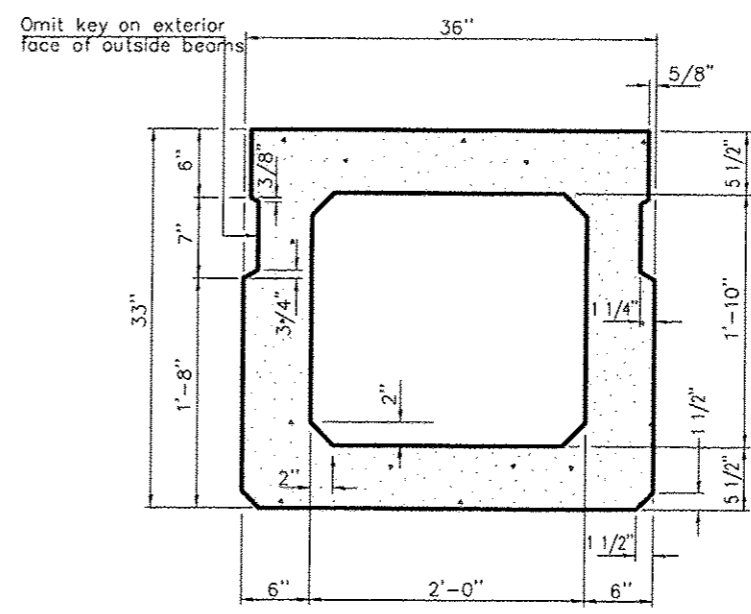


ROUTE	SECTION	COUNTY	TOTAL SHEETS	SHEET NO.
	10-00009-00-BR	FRANKLIN	11	5
VILLAGE OF ROYALTON		MAIN STREET		

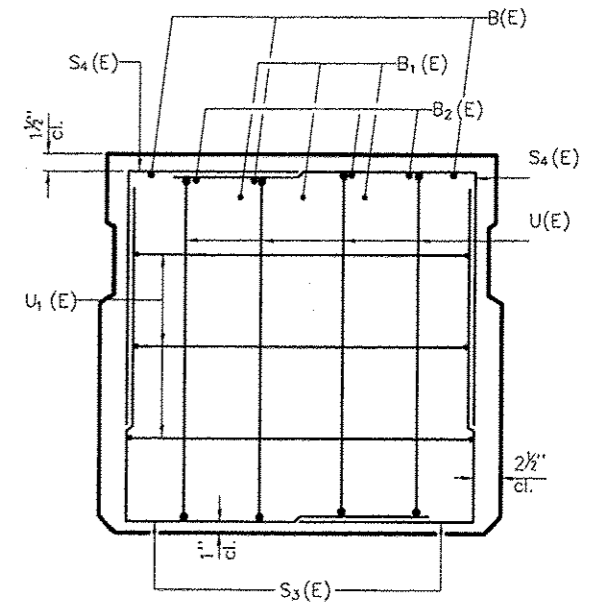
CONTRACT NO. 99502



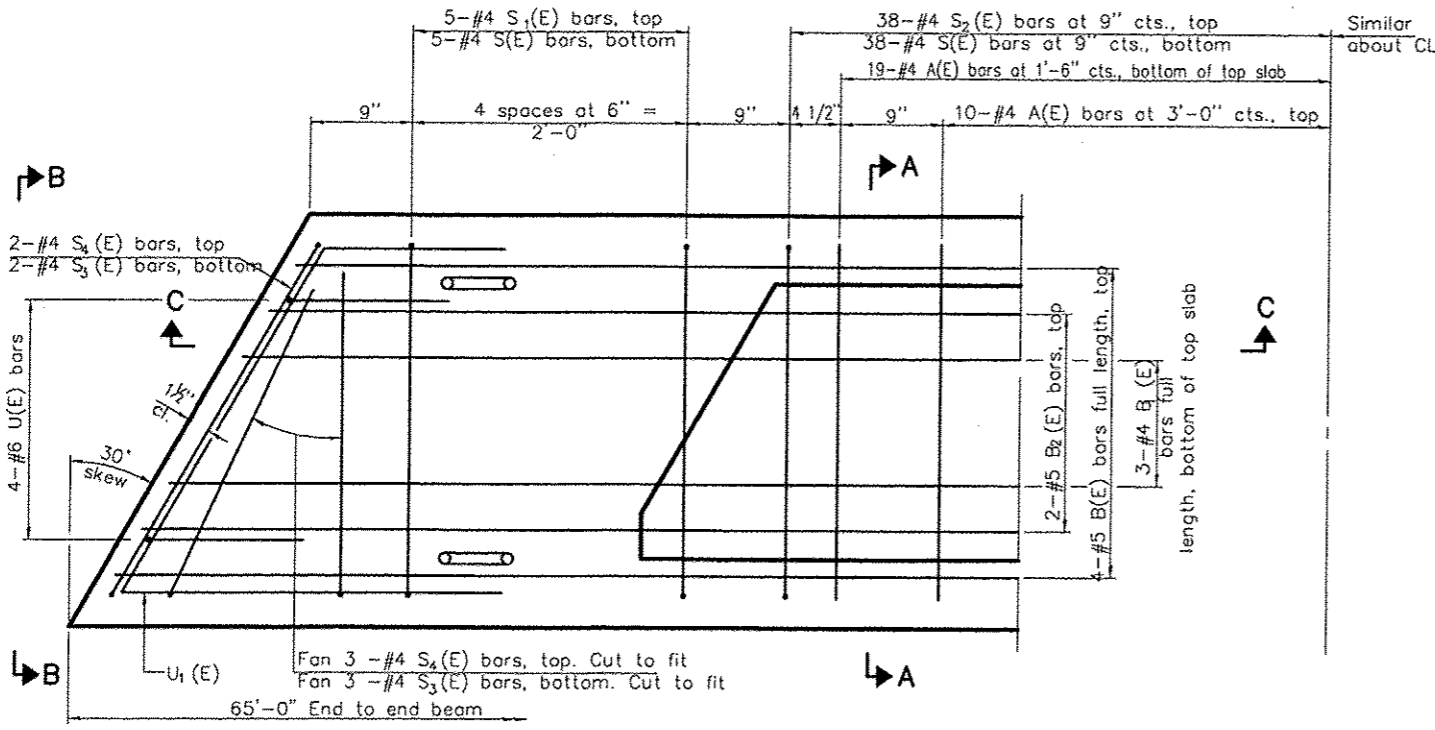
SECTION C-C



SECTION A-A
(Showing dimensions)

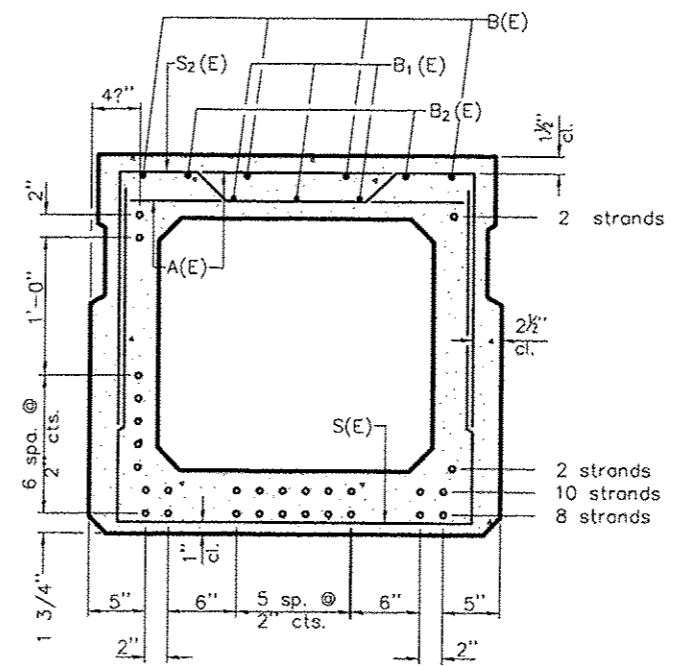


VIEW B-B



PLAN VIEW

Note: Spacing of S(E) and S(E) bars may be adjusted up to 4" in the immediate area of the transverse tie diaphragms to miss the block outs for the transverse ties.



SECTION A-A

(Showing reinforcement and permissible strand locations)

Note: Place the number of strands specified in each row symmetrically about the centerline of beam in the permissible strand locations shown.

BAR LIST
ONE BEAM ONLY
(For information only)

Bar	No.	Size	Length	Shape
A(E)	58	#4	2'-7"	—
B(E)	12	#5	26'-8"	—
B1(E)	9	#4	26'-8"	—
B2(E)	6	#5	26'-8"	—
S(E)	86	#4	7'-5"	U
S1(E)	10	#4	6'-3"	U
S2(E)	76	#4	6'-6"	U
S3(E)	10	#4	5'-2"	U
S4(E)	10	#4	4'-7"	U
U(E)	8	#6	5'-0"	U
U1(E)	6	#4	6'-5"	U

Note: See sheet 4 of 10 for additional details and Bill of Material.

33" x 36" PPC DECK BEAM
STRUCTURE NO. 028-6005

SECTION 10-00009-00-BR
VILLAGE OF ROYALTON