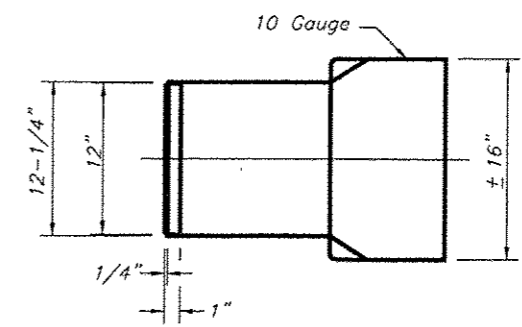


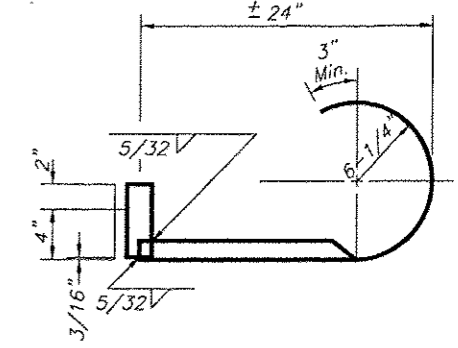
CURLED END SECTION DETAILS

Notes:
 1) Curled End Sections shall be included with the Steel Railing, Type S1 pay item.
 2) Two (2) Curled End Sections will be required.

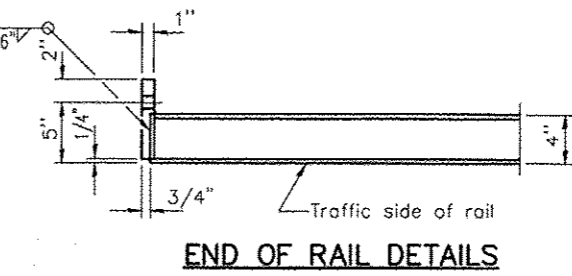
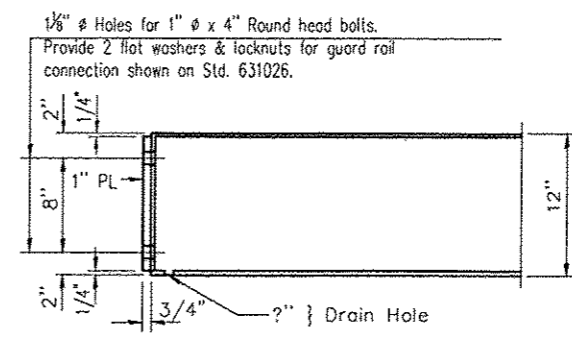
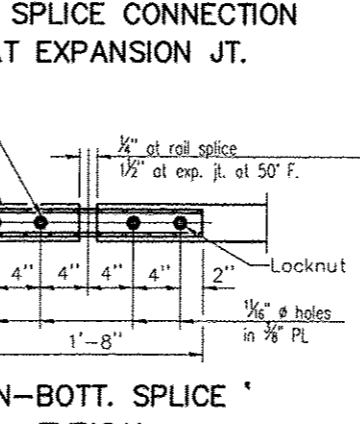
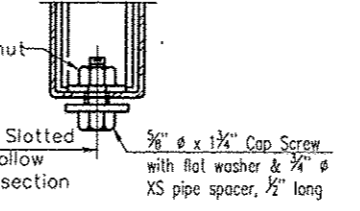
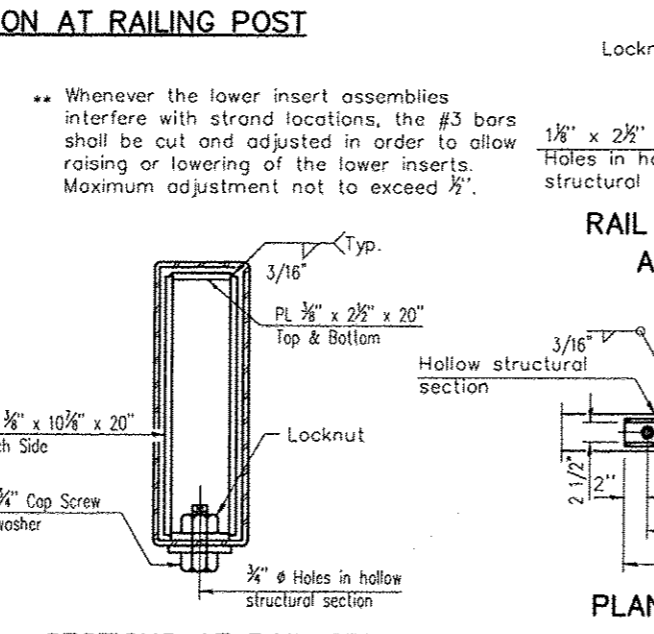
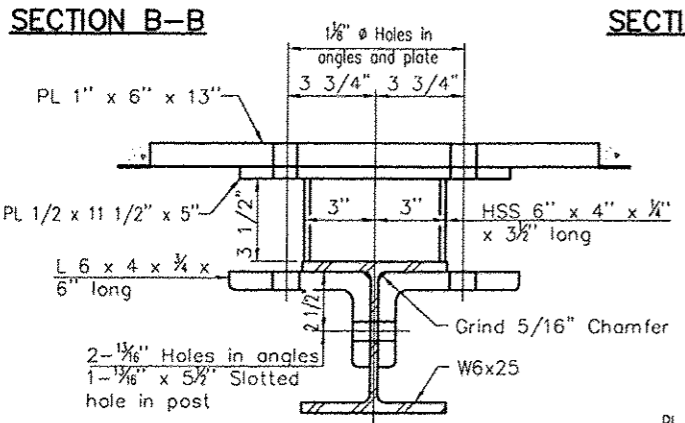
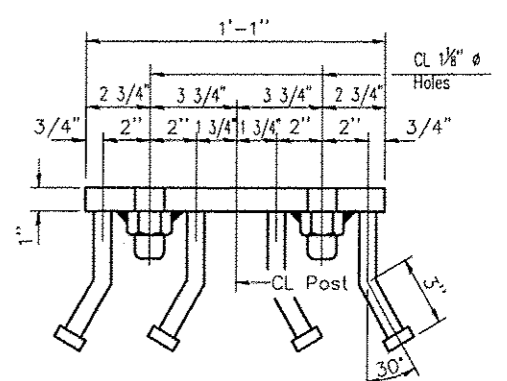
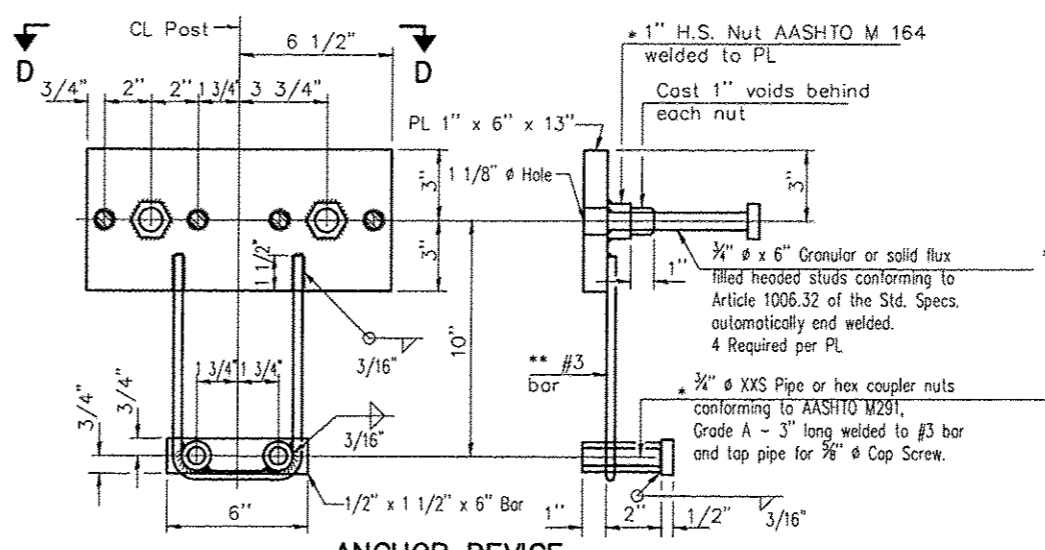
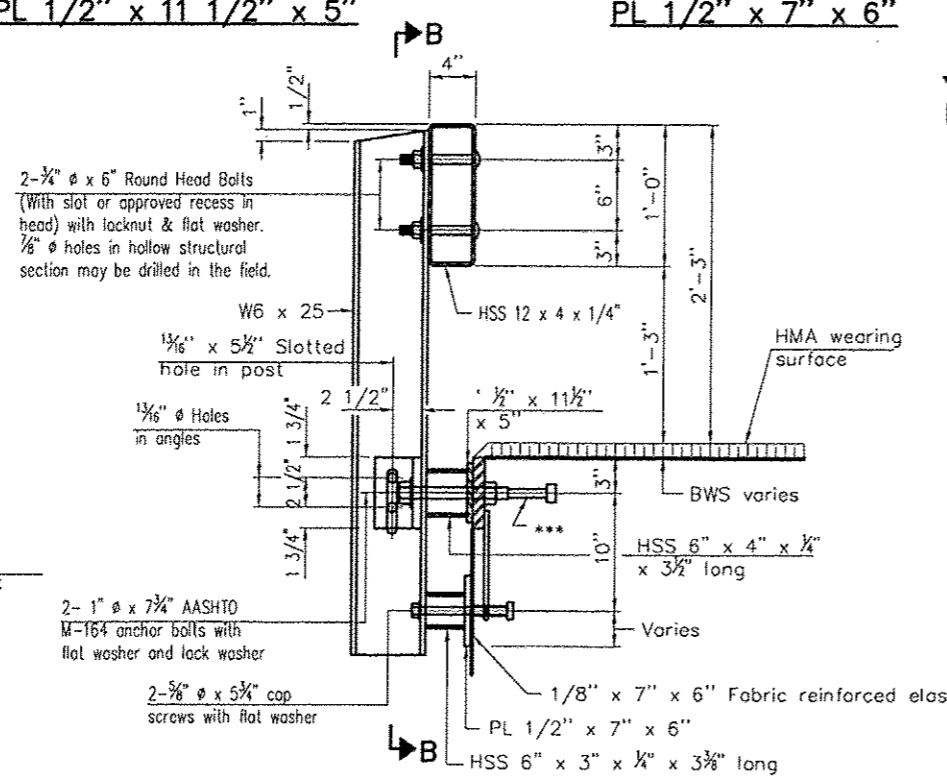
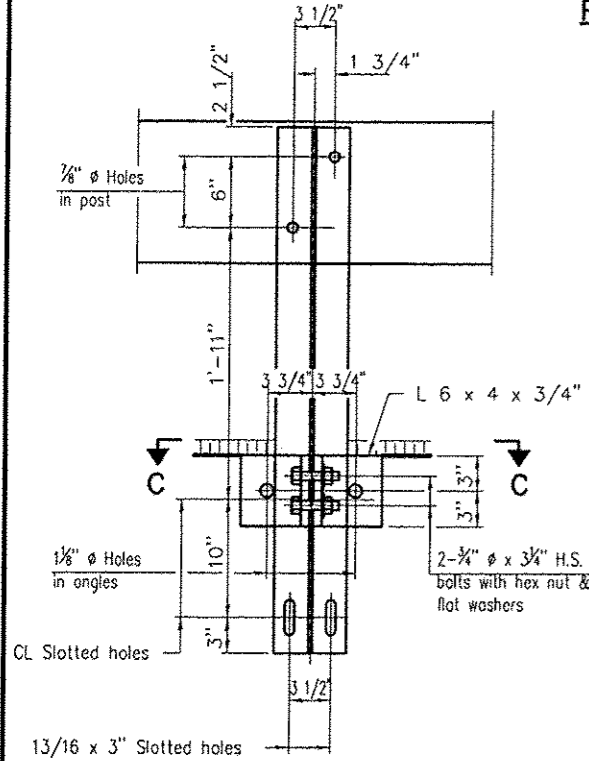
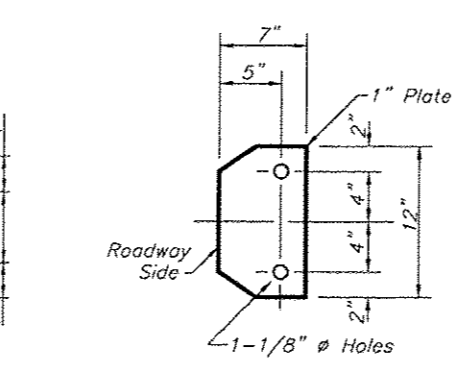
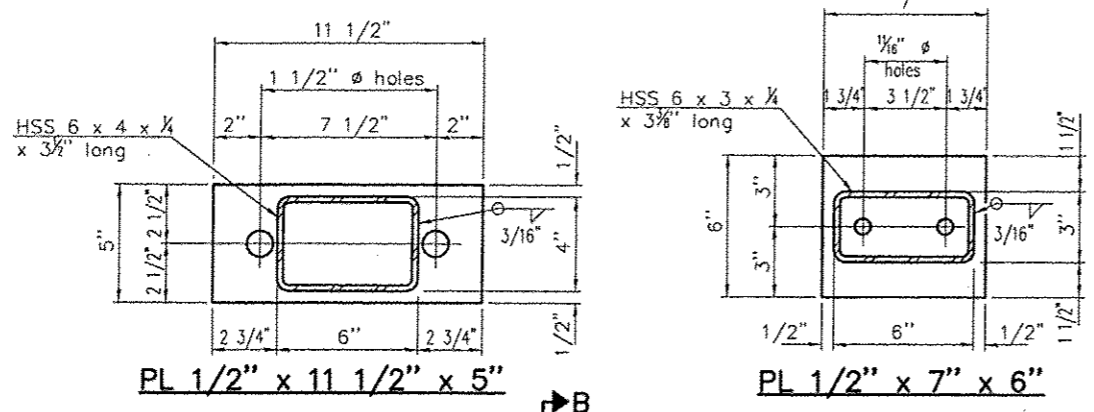


ROUTE	SECTION	COUNTY	TOTAL SHEETS	SHEET NO.
	10-00009-00-BR	FRANKLIN	11	7
VILLAGE OF ROYALTON		MAIN STREET		

CONTRACT NO. 99502



Notes:
 All field drilled holes shall be coated with an approved zinc rich paint before erection.
 For multi-span bridges, sufficient 1/4\"/>



BILL OF MATERIAL

Item	Unit	Quantity
Steel Railing, Type S-1	Foot	130

STEEL RAILING, TYPE S-1
 STRUCTURE NO. 028-6005
 SECTION 10-00009-00-BR
 VILLAGE OF ROYALTON

28 Feb 2013 - 3:34pm x:\2010\10222\4C\plans\7 S-1 Railing R-23A.dwg: Layout Tab Model