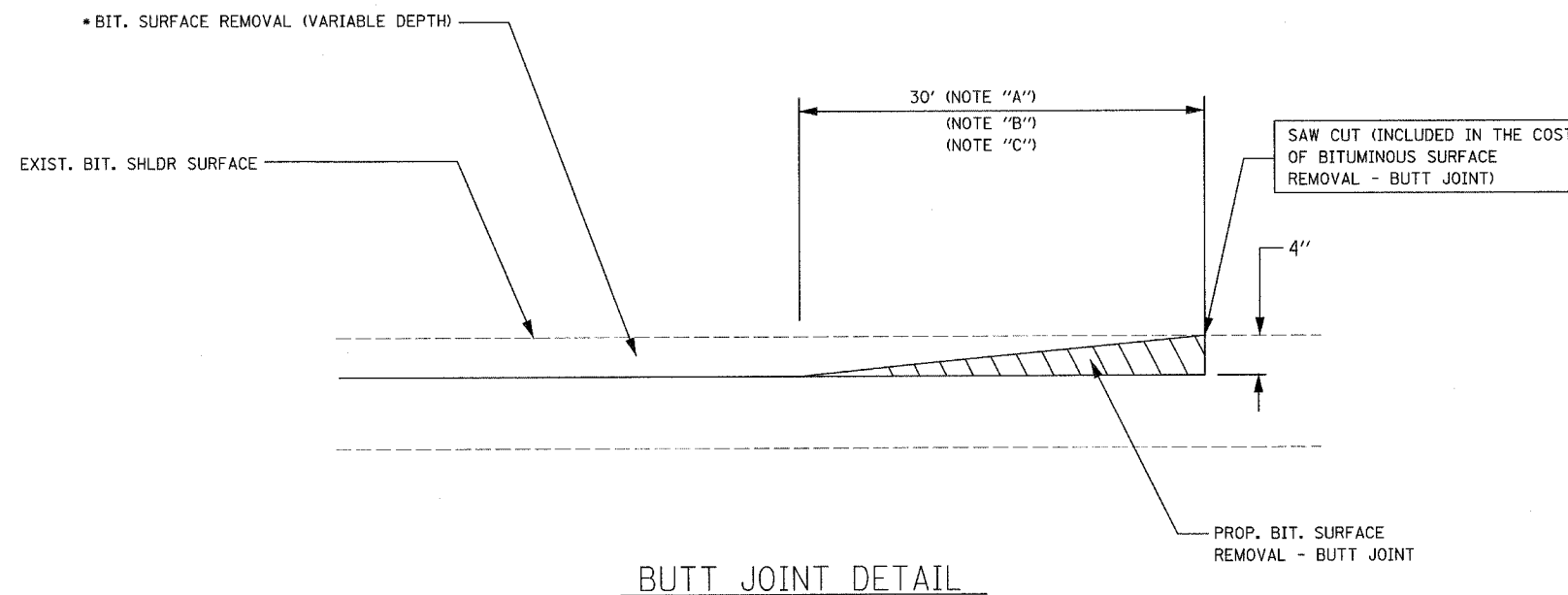


F.A.P. RTE.	SECTION	COUNTY	TOTAL SHEETS	SHEET NO.
55	100 (1&2) 1-9	WILL	59	58
STA.		TO STA.		
FED. ROAD DIST. NO.	ILLINOIS	FED. AID PROJECT		
		DET-01 OF 02		



BUTT JOINT DETAIL

NOTES

- (A) MAINLINE ROADWAYS AND MAJOR SIDE ROADS.
- (B) THE BUTT JOINT SHALL BE CONSTRUCTED IMMEDIATELY PRIOR TO PLACING THE PROPOSED BITUMINOUS COURSES.
- (C) SEE ARTICLE 406.18 AND 406.24 OF THE STANDARD SPECIFICATIONS FOR "BITUMINOUS AND PCC SURFACE REMOVAL, BUTT JOINT."
- (D) *SEE TYPICAL SECTIONS FOR MILLING THICKNESS.

BASIS OF PAYMENT:

THE BUTT JOINT WILL BE PAID FOR PER SQUARE YARD. AS "BITUMINOUS SURFACE REMOVAL - BUTT JOINT"

ALL DIMENSIONS ARE IN INCHES UNLESS OTHERWISE SHOWN.

REVISIONS	
NAME	DATE

ILLINOIS DEPARTMENT OF TRANSPORTATION
 FAI ROUTE 55
 US RTE. 30 TO WEBER ROAD
 BUTT JOINT DETAIL



SCALE: NONE
 DATE: 03-15-06

DRAWN BY: DM
 CHECKED BY: DVS

FINAL